

RGB CT-800-RC

BLUETOOTH CONSTANT VOLTAGE LED RECEIVER

Project _____

Location _____

Quote/ Ref # _____

The **RGB CT-800** is a small and lightweight wireless Bluetooth receiver compatible with RGB, RGBW + RGBW+W LED light systems. It provides the option to set dimming and color parameters that meet high level requirements specific to different applications.

SPECIFICATIONS

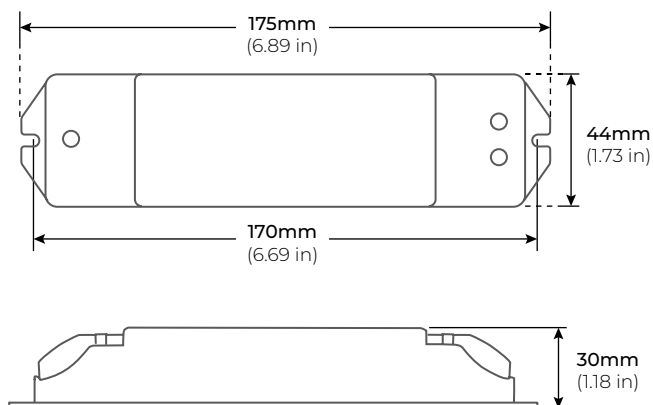
| | |
|-----------------------|---|
| INPUT VOLTAGE | 12-24V DC |
| LOAD POWER | 240W (12V) 480W (24V) |
| LOAD CURRENT | 4Ax5CH/ 5Ax4CH (20A Max) |
| WIRELESS PROTOCOL | Bluetooth 5.0 SIG Mesh |
| OPERATING TEMPERATURE | -4°F (-20°C) ~ 131°F (55°C) |
| PROTECTION | Short Circuit, Overcurrent, Overheat, Anti-Reverse Protection |
| DIMENSIONS | 6.89 x 1.73 x 1.18" (LxWxH) |



FEATURES

- Bluetooth 5.0 Mesh Compatible
- iOS and Android compatible
- Soft-on and Fade-in Dimming
- Compatible with RGB CT-820, RGB CT-840, and RGB CT-850

DIMENSIONS



| | |
|---------------------|--|
| | |
| MODEL | |
| RGB-CT800-RC | |