

RGB CT-840

RGBW BLUETOOTH TOUCH PANEL WALL CONTROLLER

Project _____

Location _____

Quote/ Ref # _____

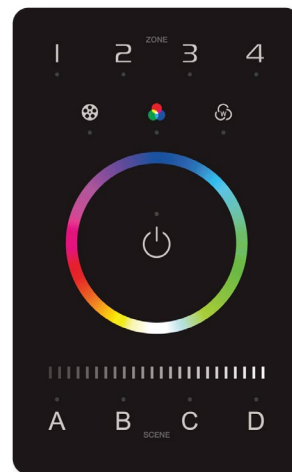
The **RGB CT-840** Wall Controller is a touch panel with Bluetooth 5.0 SIG Mesh technology. It's simple and elegant design is suitable for multi-scene and multi-zone lighting control applications.

SPECIFICATIONS

INPUT VOLTAGE	12-24V DC
CONTROL MODE	RGB RGBW
ZONES	4-Zone Control
WIRELESS PROTOCOL	Bluetooth 5.0 SIG Mesh
OPERATING TEMPERATURE	-4°F (-20°C) ~ 131°F (55°C)
REMOTE DIMENSIONS	6.38 x 1.65 x 0.59" (LxWxH)



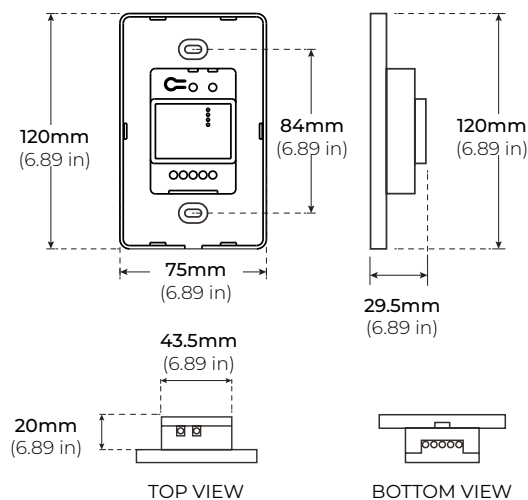
DOWNLOAD THE APP



FEATURES

- RGB/ RGBW Wall Controller Unit
- Bluetooth 5.0 Mesh Compatible
- Use with your Smart Phone
- 4 Zones
- 16 modes
- Touch Control
- 12-24V DC

DIMENSIONS



MODEL	
RGB-CT840	

RGB CT-800-RC

BLUETOOTH CONSTANT VOLTAGE LED RECEIVER

Project _____

Location _____

Quote/ Ref # _____

The **RGB CT-800** is a small and lightweight wireless Bluetooth receiver compatible with RGB, RGBW + RGBW+W LED light systems. It provides the option to set dimming and color parameters that meet high level requirements specific to different applications.

SPECIFICATIONS

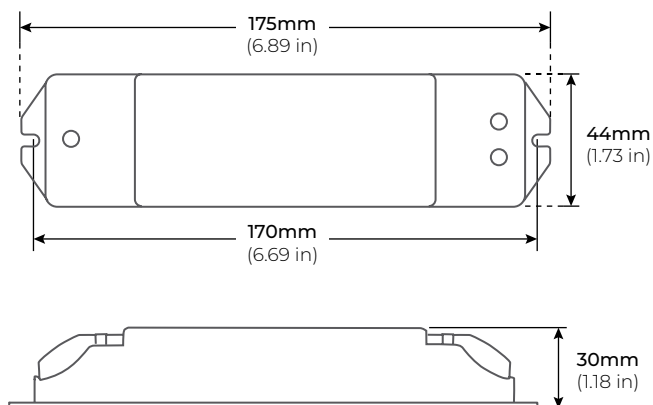
INPUT VOLTAGE	12-24V DC
LOAD POWER	240W (12V) 480W (24V)
LOAD CURRENT	4Ax5CH/ 5Ax4CH (20A Max)
WIRELESS PROTOCOL	Bluetooth 5.0 SIG Mesh
OPERATING TEMPERATURE	-4°F (-20°C) ~ 131°F (55°C)
PROTECTION	Short Circuit, Overcurrent, Overheat, Anti-Reverse Protection
DIMENSIONS	6.89 x 1.73 x 1.18" (LxWxH)



FEATURES

- Bluetooth 5.0 Mesh Compatible
- iOS and Android compatible
- Soft-on and Fade-in Dimming
- Compatible with RGB CT-820, RGB CT-840, and RGB CT-850

DIMENSIONS



MODEL	
RGB-CT800-RC	