

ALP-102R

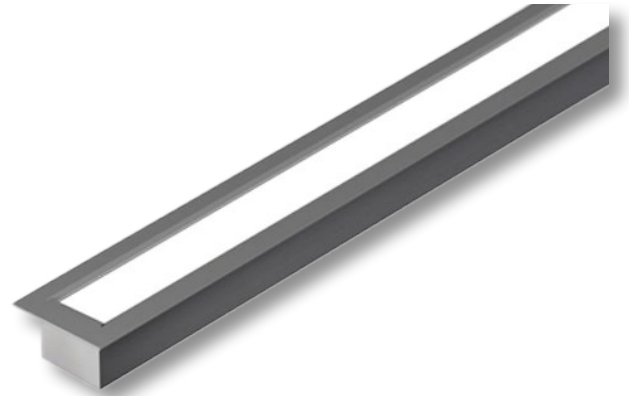
RECESSED MOUNT LED PROFILE

Project _____

Location _____

Quote/ Ref # _____

The **ALP-102R** is an architectural-grade LED extrusion for recessed applications and compatible with linear LED strips up to 22mm (0.87") wide. Made from high quality aluminum, these extrusions provide superior thermal management for LED strips and prolong the lighting system's lifespan. Manufactured with a patented frosted diffuser for maximum lumen output and wider beam distribution.



SPECIFICATIONS

TYPE	Recessed Mount
AVAILABLE LENGTHS	49 in./ 98 in.
FINISH	Silver
LENS OPTION	Frosted, Black, Asymmetric, Double Asymmetric
CHANNEL	ALP102R
LENS	ALP102R-LN (Included)
END CAP	ALP102R-EC (Included)
BUTTERFLY CLIP	ALP102R-RB
WARRANTY	5 Years

FEATURES

- Customizable
- Compatible with 22mm (0.87") wide LED strips
- Durable, anodized aluminum
- Frosted lens diffuser included
- Protects LED systems from dust and other elements
- Dissipates heat from LED, prolonging its lifetime



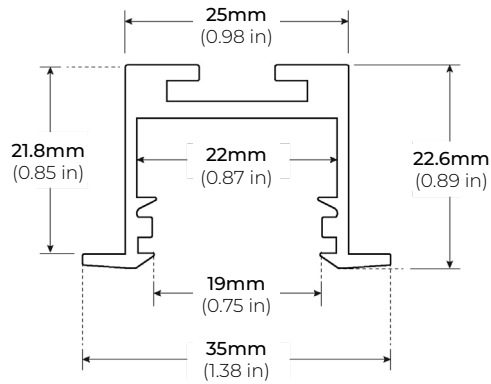
MODEL	LENS	LENGTH	FINISH
ALP102R	FR Frosted	49 49 in.	SI Silver
	BL Black	98 98 in.	CU Custom (Powder Coat)
	ASY Asymmetric		
	DSY Double Asymmetric		

* Custom color finishes require powder coating. Allow 7 days lead time.

ALP-102R

RECESSED MOUNT LED PROFILE

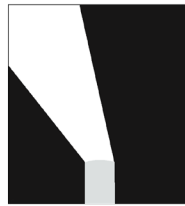
DIMENSIONS



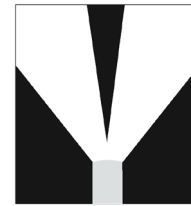
LENS OPTIONS



FROSTED / BLACK



ASYMMETRIC



DOUBLE ASYMMETRIC

COMPATABLE ACCESSORIES

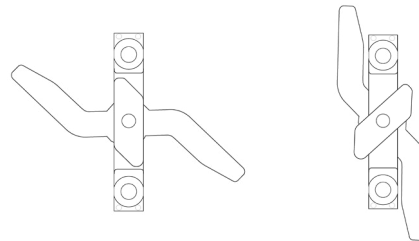
ALP102R-RB BUTTERFLY CLIP

* Sold Separately



ALP102R-SBC SWITCH BLADE MOUNTING CLIP

2.54" x 0.96" x 0.2" (L x W x H)



ALP102R-STB STRAIGHT CONNECTOR

3.94" x 0.61" x 0.08" (L x W x H)

