

**INSTALLATION GUIDE**



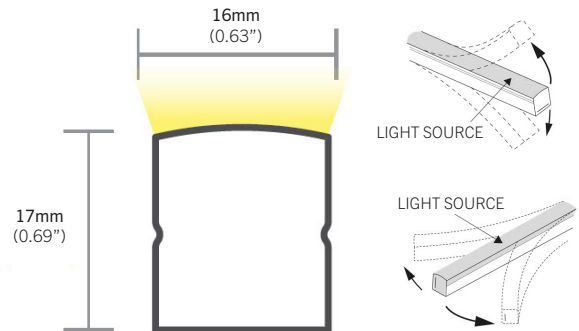
**PRE-INSTALLATION**

**Surface Mount**

Disconnect power source prior to installation.

- It is recommended to install with more than one person.
- Use only with a Class 2 Power Unit.

**DIMENSIONS**








**SAFETY**

Read all instructions before installation.

These products may represent a possible shock or fire hazard if improperly installed.

Do not install less than 6 inches from a combustible material.

Do not install less than 5 feet above the ground.

-  Product should be installed by a qualified electrician.
-  Product should be installed in accordance with these instructions and current electrical codes.
-  IP67 is not Field Cuttable
-  Must be installed with CORE Lighting Drivers
-  Product is 24V. Do not connect to 120V power source.

**INSTALLATION**

- STEP 1** Determine the layout and mark the pattern onto the intended surface
- 
- STEP 2** Align the spring clips to the mounting holes in the channel and place mounting channel to the surface. Use a level to make sure the channel is straight.  
Place a mounting bracket minimum every 8".  
*\* The number of brackets may vary depending on your pattern.*
- 
- STEP 3** Secure channel to the surface by tightening all the provided screws; starting at the power input end. Make sure to keep a distance between the power input and channel.  
*\*If mounting to a non-wood surface, it is recommended to use proper hardware.*
- 
- STEP 4** Secure the LNE-50-RGBW into place by carefully pushing the light strip onto the channel or mounting brackets.
- 
- STEP 5** Connect the LED supply wires to the source wires.  
Match the polarity.

