

# LNT-65-RGB

## 3.4W IP67/IP68 Color-Changing LED Neon Series



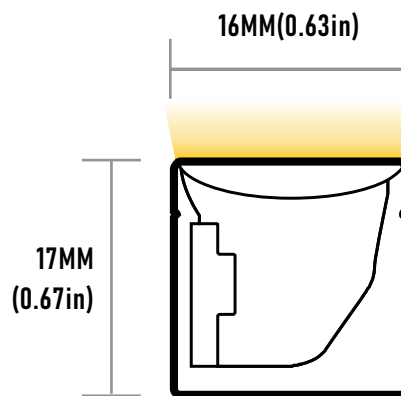
LNT65RGB is a high performance flexible LED fixture designed as a neon replacement. Suitable for indoor and outdoor applications, the LNT65RGB can bend around contours or tight radiuses without being damaged. It allows for easy installation with its factory sealed terminators and self-locking male and female barrel connectors.

### FEATURES

- High color consistency and smooth illumination
- Multiple CCT options available
- Available in IP67 & IP68
- UL-676 Pool Submersible (IP68 model)
- Waterproof/underwater submersible
- Bottom, Side and End Feed options

### SPECIFICATIONS

<b>INPUT VOLTAGE</b>	24V DC Constant Voltage
<b>POWER CONSUMPTION</b>	3.4W per Ft.
<b>LUMEN OUTPUT</b>	190 Lumens per Ft.
<b>BEAM ANGLE</b>	160°
<b>CRI</b>	88+
<b>DIMMING</b>	Thru RGB controller
<b>MAXIMUM RUN LENGTH</b>	32 Ft.
<b>IP RATING</b>	IP67 / IP68
<b>LUMEN MAINTENANCE</b>	50,000 Hours
<b>LED CHIP</b>	NICHIA
<b>OPERATING TEMPERATURE</b>	-4°F ~113°F (-20°C ~ 45°C)
<b>STORAGE TEMPERATURE</b>	-40°F ~176°F (-40°C ~ 80°C)
<b>HUMIDITY</b>	0-95% Non Condensing
<b>CERTIFICATIONS</b>	UL Listed / UL-676 (IP68)
<b>DIMENSIONS</b>	Width x Depth: 0.63" x 0.67"



# LNT-65-RGB

## 3.4W IP67/IP68 Color-Changing LED Neon Series



### STANDARD ORDERING GUIDE

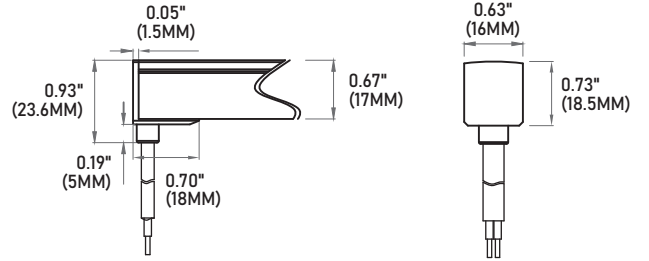
Model	Lens	Light Surface	Color Temp	Voltage	Length (CODE)	Power Feed	Power Feed Length
<b>LNT-65RGB</b>	<b>F</b> Flat	<b>HB</b> Horizontal Bend	<b>RGB</b>	<b>24V</b> 24V DC	Please refer to pages 6-7 for exact lengths with corresponding ordering codes.	<b>IP67BF</b> Bottom Feed	<b>HW3</b> 3 Ft. Power Feed
		<b>IP67SFL</b> Side Feed Left				<b>HW10</b> 10 Ft. Power Feed	
		<b>VB</b> Vertical Bend				<b>IP67SFR</b> Side Feed Right	<b>HW15</b> 15 Ft. Power Feed
						<b>IP67EF</b> End Feed	<b>HW30</b> 30 Ft. Power Feed
							<b>HW50</b> 50 Ft. Power Feed
						<b>IP68BF</b> Bottom Feed	
						<b>IP68SFL</b> Side Feed Left	
						<b>IP68SFR</b> Side Feed Right	
						<b>IP68EF</b> End Feed	

# LNT-65-RGB

3.4W IP67/IP68 Flexible LED Neon Series

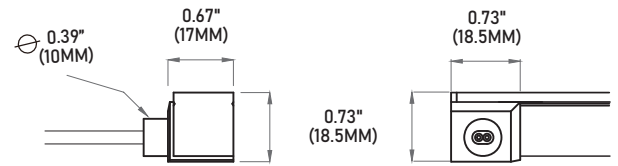
## IP67 POWER FEED

**BF**  
Bottom Feed



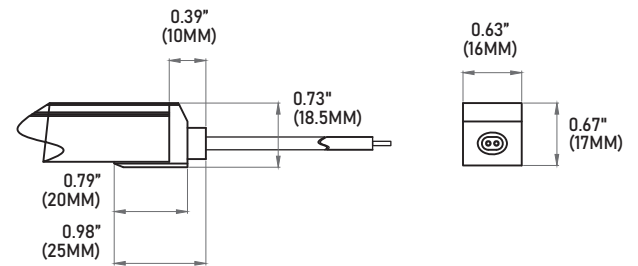
**SFL**  
Side Feed Left

LEFT

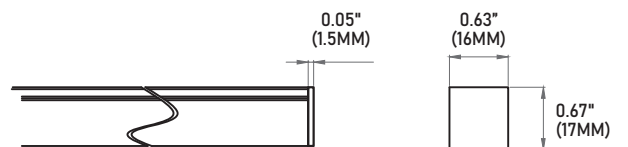


**SFR**  
Side Feed Right

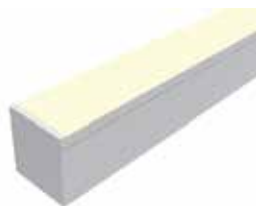
RIGHT



**EF**  
End Feed



**EC**  
End Cap

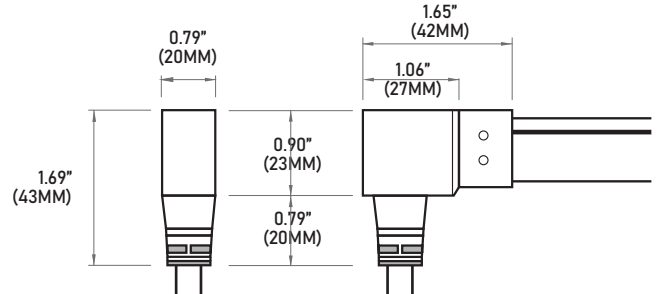


# LNT-65-RGB

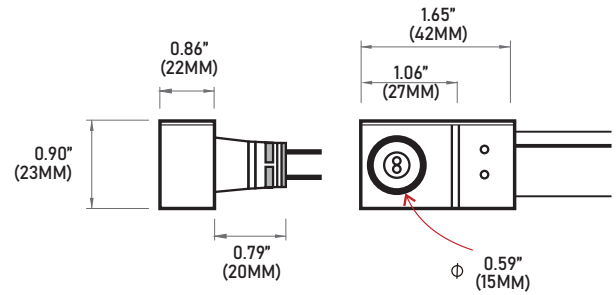
3.4W IP67/IP68 Flexible LED Neon Series

## IP68 POWER FEED

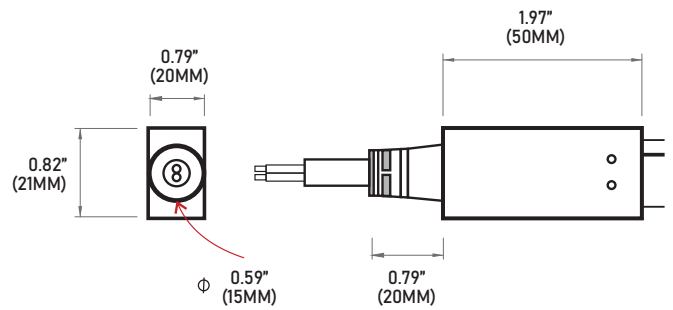
**BF**  
Bottom Feed



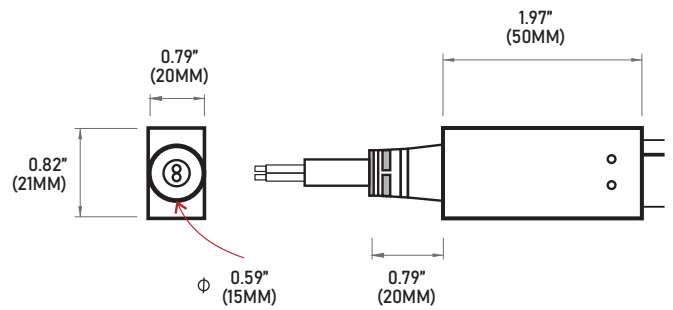
**SFL**  
Side Feed Left



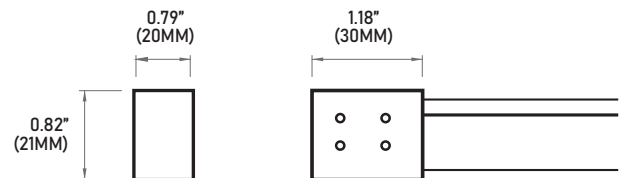
**SFR**  
Side Feed Right



**EF**  
End Feed



**EC**  
End Cap



# LNT-65-RGB

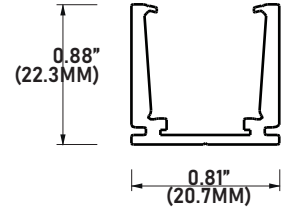
3.4W IP67/IP68 Flexible LED Neon Series

## ACCESSORIES

### SELF LOCKING ALUMINUM PROFILE

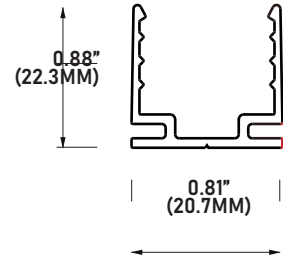
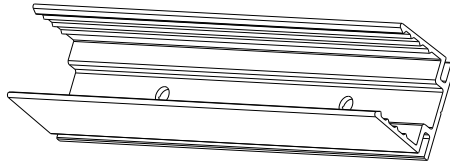
**LNT65-AC2**  
2" Profile

**LNT65-AC39**  
39" Profile



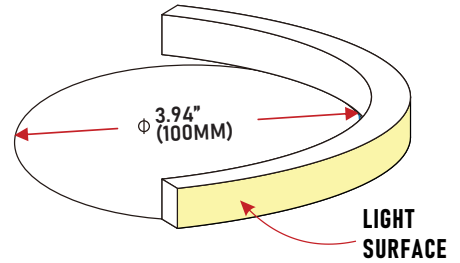
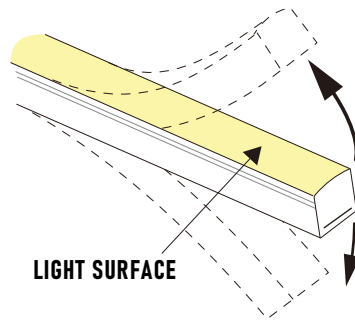
### PLASTIC PROFILE

**LNT65-PC39**  
39" Profile

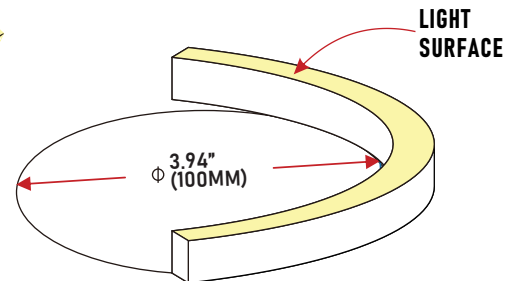
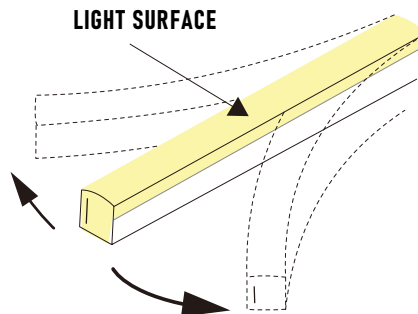


## BEND RADIUS

**LNT65-VB**  
(VERTICAL BEND)



**LNT65-HB**  
(HORIZONTAL BEND)



# LNT-65-RGB

## 3.4W IP67/IP68 Flexible LED Neon Series



LNT65-RGB Series is cuttable **every 2.19" (5.56 CM)**. Please refer to chart below to determine actual lengths once LED is cut versus actual lengths required or specified.

Total Length Calculation = order code length + end feed option length  
 example: 66.92" total length = code 30 + IP67 side feed (65.67" + 1.25")

Optional lead wire lengths available: **3Ft., 10Ft., 16Ft., 32Ft., 50Ft.**

POWER FEED OPTION	IP67	IP68
END FEED	0.65"	1.65"
BOTTOM FEED	0.65"	1.65"
SIDE FEED	0.65"	1.65"

### CUTTING LENGTH INCREMENT TABLE

CODE	LENGTH IN CM	LENGTH IN INCHES	CODE	LENGTH IN CM	LENGTH IN INCHES
3	16.68	6.57	34	189.04	74.43
4	22.24	8.76	35	194.6	76.61
5	27.8	10.94	36	200.16	78.80
6	33.36	13.13	37	205.72	81.00
7	38.92	15.32	38	211.28	83.18
8	44.48	17.51	39	216.84	85.37
9	50.04	19.70	40	222.4	87.56
10	55.6	21.89	41	227.96	89.75
11	61.16	24.08	42	233.52	91.94
12	66.72	26.27	43	239.08	94.13
13	72.28	28.46	44	244.64	96.31
14	77.84	30.65	45	250.2	98.50
15	83.4	32.83	46	255.76	100.70
16	88.96	35.02	47	261.32	102.89
17	94.52	37.21	48	266.88	105.07
18	100.08	39.40	49	272.44	107.26
19	105.64	41.59	50	278	109.45
20	111.2	43.78	51	283.56	111.64
21	116.76	45.97	52	289.12	113.83
22	122.32	48.16	53	294.68	116.02
23	127.88	50.35	54	300.24	118.21
24	133.44	52.54	55	305.8	120.40
25	139	54.72	56	311.36	122.59
26	144.56	56.91	57	316.92	124.78
27	150.12	59.10	58	322.48	126.96
28	155.68	61.29	59	328.04	129.15
29	161.24	63.48	60	333.6	131.34
30	166.8	65.67	61	339.16	133.53
31	172.36	67.86	62	344.72	135.72
32	177.92	70.05	63	350.28	137.91
33	183.48	72.24	64	355.84	140.09
			65	361.4	142.28
			66	366.96	144.47

# LNT-65-RGB

## 3.4W IP67/IP68 Flexible LED Neon Series



### CUTTING LENGTH INCREMENT TABLE

CODE	LENGTH IN CM	LENGTH IN INCHES	CODE	LENGTH IN CM	LENGTH IN INCHES
67	372.52	146.66	107	594.92	234.22
68	378.08	148.85	108	600.48	236.41
69	383.64	151.04	109	606.04	238.59
70	388.95	153.23	110	611.12	240.78
71	394.76	155.42	111	617.16	242.98
72	400.32	157.61	112	622.72	245.17
73	405.88	159.80	113	628.28	247.35
74	411.44	161.98	114	633.84	249.54
75	416.68	164.17	115	638.91	251.73
76	422.56	166.36	116	644.96	253.92
77	428.12	168.55	117	650.52	256.12
78	433.68	170.74	118	656.08	258.31
79	439.24	172.93	119	661.64	260.50
80	444.47	175.13	120	666.72	262.68
81	450.36	177.31	121	672.76	264.88
82	455.92	179.49	122	678.32	267.07
83	461.48	181.69	123	683.88	269.25
84	467.04	183.87	124	689.44	271.44
85	472.60	186.06	125	694.51	273.63
86	478.16	188.25	126	700.56	275.82
87	483.72	190.44	127	706.12	278.01
88	489.28	192.63	128	711.68	280.20
89	494.84	194.82	129	717.24	282.39
90	500.40	197.02	130	722.24	284.58
91	505.96	199.20	131	728.36	286.76
92	511.52	201.39	132	733.92	288.96
93	517.08	203.58	133	739.48	291.15
94	522.64	205.77	134	745.04	293.33
95	528.2	207.96	135	750.03	295.52
96	533.76	210.14	136	756.16	297.70
97	539.32	212.34	137	761.72	299.90
98	544.88	214.53	138	767.28	302.09
99	550.44	216.72	139	772.84	304.28
100	556	218.91	140	777.84	306.47
101	561.56	221.10	141	783.96	308.66
102	567.12	223.28	142	789.52	310.85
103	572.68	225.47	143	795.08	313.04
104	578.24	227.66	144	800.64	315.23
105	583.8	229.85	145	806.20	317.41
106	589.36	232.04	146	811.76	319.60

# LNT-65-RGB

## 3.4W IP67/IP68 Flexible LED Neon Series



### CUTTING LENGTH INCREMENT TABLE

CODE	LENGTH IN CM	LENGTH IN INCHES
147	817.32	321.78
148	822.88	323.97
149	828.44	326.17
150	833.34	328.35
151	839.56	330.54
152	845.12	332.72
153	850.68	334.91
154	856.24	337.10
155	861.16	339.30
156	867.36	341.49
157	872.92	343.67
158	878.48	345.87
159	884.04	348.06
160	888.94	350.25
161	895.16	352.44
162	900.72	354.63
163	906.28	356.82
164	911.84	359.01
165	916.68	361.20
166	922.96	363.37
167	928.52	365.57
168	934.08	367.75
169	939.64	369.94
170	945.20	372.13
171	950.76	374.32
172	956.32	376.50
173	961.88	378.69
174	967.44	380.88
175	972.28	383.09
176	978.56	385.28
177	984.12	387.45
178	989.68	389.64
179	995.24	391.83
180	1000.8	394.02



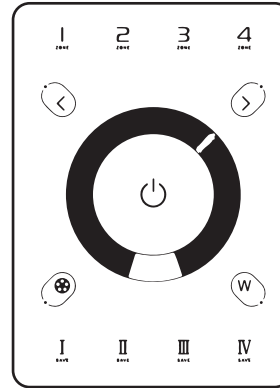
# LNT-65-RGB

## 3.4W IP67/IP68 Flexible LED Neon Series

### COMPATIBLE WALL CONTROLLERS

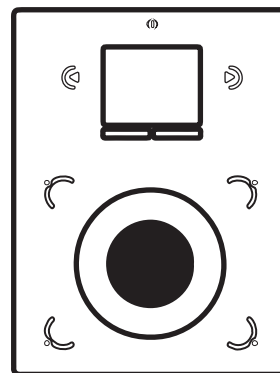
**RGB CT600**  
MULTI-FUNCTION RGBW WALL CONTROLLER

**INPUT VOLTAGE** 5V DC, 1A  
**OUTPUT SIGNAL** RF 2.4GHz + DMX512  
**CONTROL** 4 ZONES  
**WORKING TEMP** -20°C ~ 40°C  
**DIMENSIONS** LxWxH (5.19"x 7.08"x 1.38")



**RGB-SDE3**  
MULTI-FUNCTION RGBW WALL CONTROLLER

**INPUT POWER** 6V DC 0.6A  
**OUTPUT SIGNAL** DMX512 (x2)  
**PROGRAMMABILITY** PC, MAC, Tablet, Smartphone  
**AVAILABLE COLORS** Black / White  
**CONNECTIONS** USB, Ethernet, RS232, Clock, 8dry contact ports, 5V output relay  
**MEMORY** microSD card  
**WORKING TEMP** -10°C ~ 45°C  
**WEIGHT (gross)** 247g  
**DIMENSIONS** LxWxH (5.75"x 4.17"x 0.43")



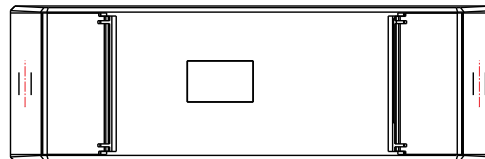
# LNT-65-RGB

## 3.4W IP67/IP68 Flexible LED Neon Series

### COMPATIBLE DMX RECEIVERS

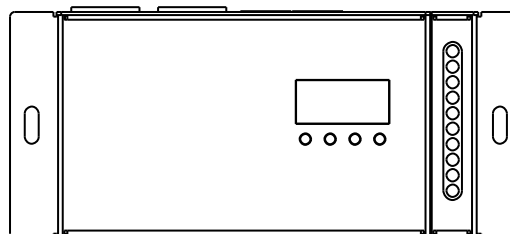
#### RGB-DMX-4C-RJ45 4-CHANNEL DMX DECODER

<b>INPUT</b>	12V - 24V DC
<b>OUTPUT CURRENT</b>	8A X 4CH
<b>OUTPUT POWER</b>	240W(12V), 720W (24V)
<b>OUTPUT CHANNELS</b>	3 or 4 selectable
<b>DIMENSIONS</b>	LxWxH (7"x 1.77"x 0.75")



#### RGB-DMX-5C-XLR 5-CHANNEL DMX DECODER

<b>INPUT</b>	12V-24V-36V DC
<b>OUTPUT VOLTAGE</b>	12V-24V DC
<b>OUTPUT CURRENT</b>	8A X 5CH
<b>OUTPUT WATTAGE</b>	5 x (96W ~ 192W)
<b>DIMENSIONS</b>	LxWxH (6.45"x 2.87"x 1.5")



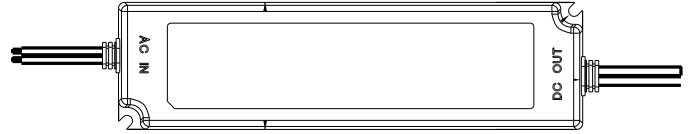
# LNT-65-RGB

## 3.4W IP67/IP68 Flexible LED Neon Series

### COMPATIBLE NON-DIMMING DRIVERS

**PSHW SERIES**  
NON-DIMMING CONSTANT VOLTAGE

<b>PSHW-10W-24V</b>	CLASS 2	2.55" X 1.37" X .90"
<b>PSHW-20W-24V</b>	CLASS 2	4.64" X 1.38" X 1.2"
<b>PSHW-35W-24V</b>	CLASS 2	5.83" X 1.57" X 1.18"
<b>PSHW-60W-24V</b>	CLASS 2	6.38" X 1.65" X 1.18"
<b>PSHW-100W-24V</b>		7.44" X 2.4" X 1.45"
<b>PSHW-150W-24V</b>		8.75" X 2.68" X 1.53"
<b>PSHW-200W-24V</b>		9.62" X 2.68" X 1.53"
<b>PSHW-300W-24V</b>		9.92" X 3.55" X 1.75"



**PSHK SERIES**  
NON-DIMMING CONSTANT VOLTAGE WITH JUNCTION BOX

<b>PSHK-30W-24V-UNV</b>	CLASS 2	6.5" X 3.6" X 1.02"
<b>PSHK-60W-24V-UNV</b>	CLASS 2	7.4" X 3.62" X 1.02"
<b>PSHK-96W-24V-UNV</b>	CLASS 2	8.66" X 3.66" X 1.61"
<b>PSHK-150W-24V-UNV</b>		10.24" X 4.06" X 1.81"
<b>PSHK-200W-24V-UNV</b>		10.24" X 4.06" X 1.81"
<b>PSHK-300W-24V-UNV</b>		10.94" X 4.25" X 1.81"

