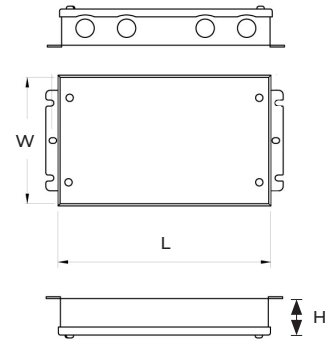


INSTALLATION GUIDE



DIMENSIONS



PRE-INSTALLATION

Surface Mount

Power input is 100V - 277V AC. Confirm the source voltage is compatible.
Disconnect power source prior to installation.

SAFETY

Read all instructions before installation.

These products may represent a possible shock or fire hazard if improperly installed.

Do not install less than 6 inches from a combustible material.

Do not install less than 5 feet above the ground.

Product should be installed by a qualified electrician.

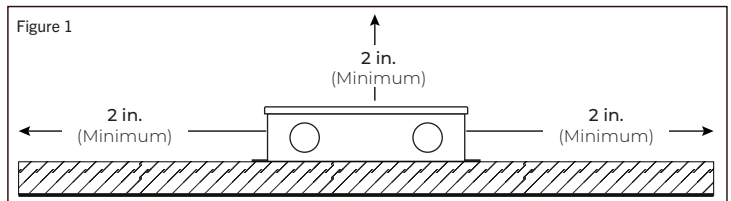
Product should be installed in accordance with these instructions and current electrical codes.

INSTALLATION

STEP 1

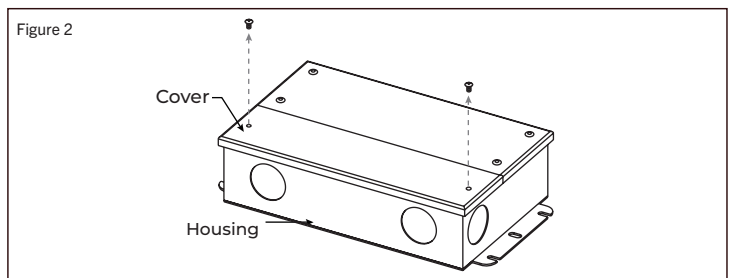
Mount the PSHK Series Driver to your chosen surface. It can be mounted vertically or horizontally.

**Maintain a 2 inch minimum clearance around the driver to provide proper air circulation. (Figure 1)*



STEP 2

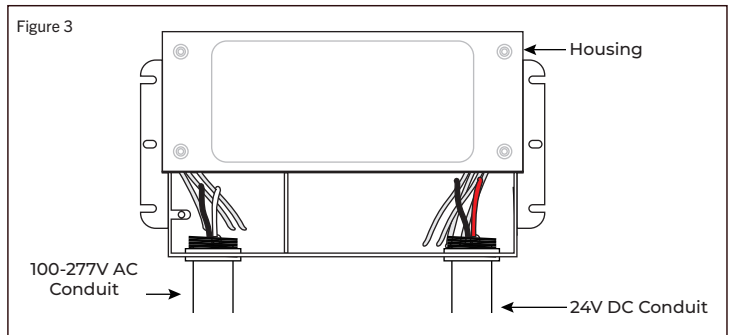
Unscrew the two screws on the housing. Pull off the cover to expose the driver wires. (Figure 2)



STEP 3

Insert the 100-277V AC power into the driver housing from the electrical panel. Followed by bringing the 24V low voltage wires from the LEDs into the driver housing. (Figure 3)

**See wiring guide on page 2.*



STEP 4

Insert the nut connections in the driver housing and close the housing cover.

Secure the housing cover by tightening the two screws.

INSTALLATION (CONT.)

WIRING GUIDE

