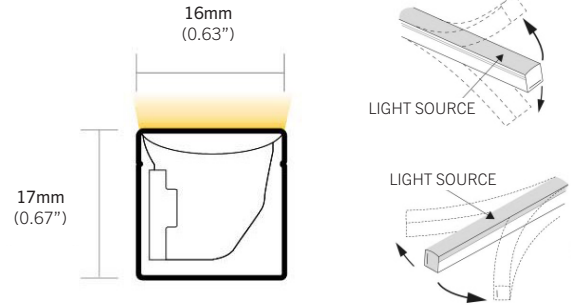


INSTALLATION GUIDE



DIMENSIONS



PRE-INSTALLATION

Surface Mount

Disconnect power source prior to installation.

- It is recommended to install with more than one person.
- Use only with a Class 2 Power Unit.






SAFETY

Read all instructions before installation.

These products may represent a possible shock or fire hazard if improperly installed.

Do not install less than 6 inches from a combustible material.

Do not install less than 5 feet above the ground.

-  Product should be installed by a qualified electrician.
-  Product should be installed in accordance with these instructions and current electrical codes.
-  IP67 / IP68 is not Field Cuttable
-  Must be installed with CORE Lighting Drivers
-  Product is 24V. Do not connect to 120V power source.

INSTALLATION

- | | |
|--------|---|
| STEP 1 | Determine the layout and mark the pattern onto the intended surface |
| STEP 2 | Align the spring clips to the mounting holes in the channel and place mounting channel to the surface. Use a level to make sure the channel is straight.
Place a mounting bracket minimum every 8".

<i>* The number of brackets may vary depending on your pattern.</i> |
| STEP 3 | Secure channel to the surface by tightening all the provided screws; starting at the power input end. Make sure to keep a distance between the power input and channel.

<i>*If mounting to a non-wood surface, it is recommended to use proper hardware.</i> |
| STEP 4 | Secure the LNT-65 into place by carefully pushing the light strip onto the channel or mounting brackets. |
| STEP 5 | Connect the LED supply wires to the source wires.
Match the polarity. |

