

ALP-50C-V2

SURFACE/ CORNER MOUNT PROFILE

Project _____

Location _____

Quote/ Ref # _____

The **ALP-50C-V2** is an Architectural-grade LED extrusion designed for surface/ corner mount applications and can fit linear LED strips up to 10mm (0.39") wide. Made from high quality aluminum and manufactured with a patented frosted diffuser for maximum lumen output and wider beam distribution.



SPECIFICATIONS

TYPE	Surface/ Corner Mount
AVAILABLE LENGTHS	48 in./ 84 in./ 98.5 in.
FINISH	Black/ Silver
LENS OPTION	Frosted
CHANNEL	ALP50C-V2
LENS	ALP50C-LN (Frosted)
END CAP	ALP50C-V2-EC
MOUNTING CLIPS	ALP50C-CL
WARRANTY	5 Years

FEATURES

- Customizable
- Durable, anodized aluminum
- Protects LED systems from dust and other elements
- Slim, low profile design
- Dissipates heat from LED, prolonging its lifetime
- Compatible with LED strips up to 10mm (0.39 in.) wide



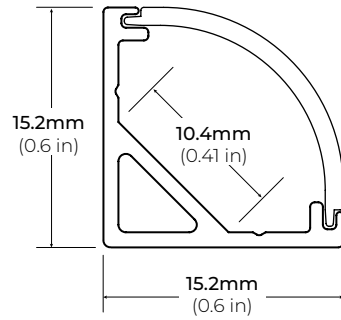
MODEL	LENGTH	LENS	FINISH
ALP50C-V2	49 49 in.	FR Frosted Lens	BK Black
	84 84 in.		SI Silver
	98 98.5 in.		CU Custom (Powder Coat)

* Custom color finishes require powder coating. Allow 7 days lead time.

ALP-50C-V2

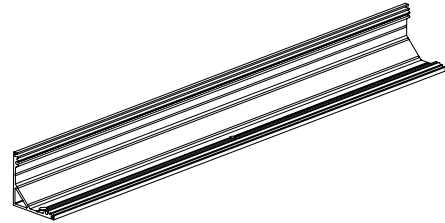
SURFACE/ CORNER MOUNT PROFILE

DIMENSIONS

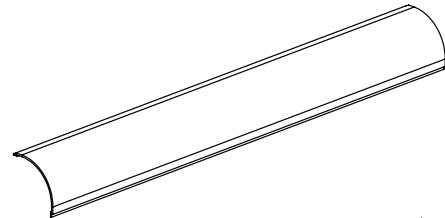


COMPATIBLE ACCESSORIES

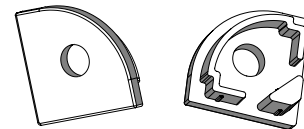
ALP50C-V2
ALUMINUM CHANNEL



ALP50C-LN
PLASTIC LENS



ALP50C-V2-EC
END CAP



ALP50C-CL
METAL MOUNTING CLIPS

