

PSDE-SP-UNV

LED DRIVER SURGE PROTECTOR 120/277V

Project _____

Location _____

Quote/ Ref # _____

PSDE-SP-UNV is an advanced protection solution specifically engineered to protect against surges that can potentially compromise the stability of your LED lighting system. By redirecting the surplus electricity, the PSDE-SP-UNV ensures the longevity of your LED fixtures. Easy to install, this protection solution is highly recommended for all LED lighting systems to serve as an additional layer of security for optimal performance and durability against powerline disturbances.

SPECIFICATIONS

INPUT VOLTAGE	120-277V
PROTECTION	Cat. C3 Surge Location (10kA/10kV)
SURGE CURRENT	20,000A, 8/20 μ Sec Wave
RATING	540 Joules
MAX CLAMPING VOLTAGE	925V
CONNECTORS	18AWG, Copper Conductors
CONTROLS	Hard-Wire
HOUSING	Flameproof Plastic Enclosure
AMBIENT TEMPERATURE	-40°F (-40°C) ~ 185°F (85°C)
IP RATING	IP65
CERTIFICATIONS	CE, UL Recognized (UL1449, UL935, UL1029)
WEIGHT	4.4oz

INPUT

INPUT VOLTAGE RANGE	100-277V AC
SURGE CURRENT	20,000A, 8/20 μ Sec Wave
MAX CLAMPING VOLTAGE	925V

STRIKES

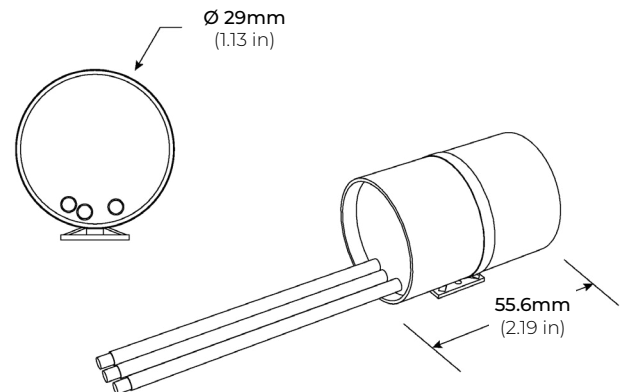
1	20,000A
2	15,000A
15	10,000A
120	3,000A



FEATURES

- Protects Line-Ground, Line-Neutral, and Neutral-Ground
- Easy to install
- UL Recognized Component (UL1449, UL935, UL1029)
- CE Certified
- Meets CSA22.2 No. 269.5-17 Surge Protection Devices

DIMENSIONS



PSDE-SP-UNV

LED DRIVER SURGE PROTECTOR 120/277V

WIRING DIAGRAM

