

PSDE-60W-24V-UNV-DALI

60W CONSTANT-VOLTAGE DALI-2 DIMMING LED DRIVER

Project _____
Location _____
Quote/ Ref # _____

PSDE-60W-24V-UNV-DALI is a constant-voltage DALI dimming driver suitable for LED lighting systems. Manufactured with an advanced patented circuit board for smooth dimming operation with DALI systems. Built-in short circuit protection and zero minimum load requirements make this driver one of the most efficient in the market.



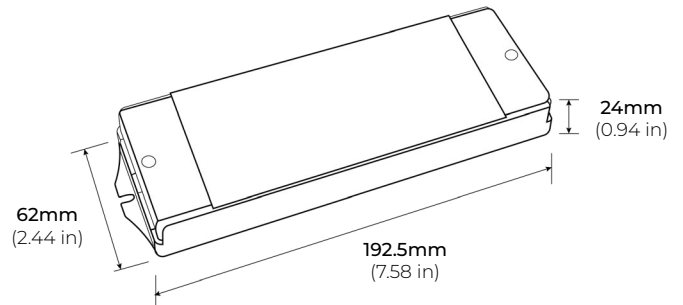
SPECIFICATIONS

| | |
|----------------|--|
| CLASS 2 | Yes |
| WATTAGE | 60W |
| INPUT VOLTAGE | 120-277V |
| FREQUENCY | 47-63Hz |
| OUTPUT VOLTAGE | 24V |
| DIMMING | DALI-2 |
| CERTIFICATIONS | UL Listed |
| DIMENSIONS | 192.5 x 62 x 24mm (7.58 x 2.44 x 0.94") (LxWxH) |

FEATURES

- 60W
- Full Range
- Flicker-free 0.1-100% dimming
- 4KHz High Frequency (DA2)

DIMENSIONS



INPUT

| | |
|-----------------------|-------------|
| INPUT VOLTAGE RANGE | 100-277V AC |
| INPUT FREQUENCY RANGE | 47 - 63 Hz |

OUTPUT

| | |
|-----------------------|------|
| OUTPUT VOLTAGE | 24V |
| OUTPUT WATTAGE (MAX.) | 60W |
| MINIMUM LOAD | 0% |
| MAXIMUM LOAD | 100% |

