

# PSDE-30W-24V-UNV-DALI

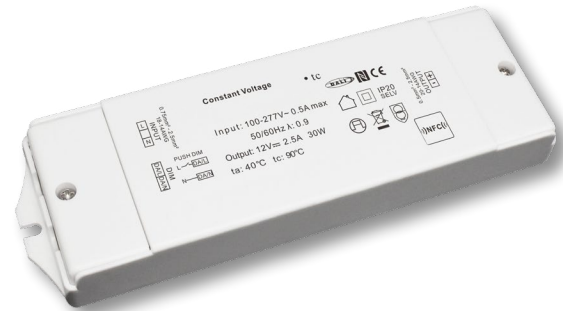
## 30W CONSTANT-VOLTAGE DALI-2 DIMMING LED DRIVER

Project \_\_\_\_\_

Location \_\_\_\_\_

Quote/ Ref # \_\_\_\_\_

**PSDE-30W-24V-UNV-DALI** is a constant-voltage DALI dimming driver suitable for LED lighting systems. Manufactured with an advanced patented circuit board for smooth dimming operation with DALI systems. Built-in short circuit protection and zero minimum load requirements make this driver one of the most efficient in the market.



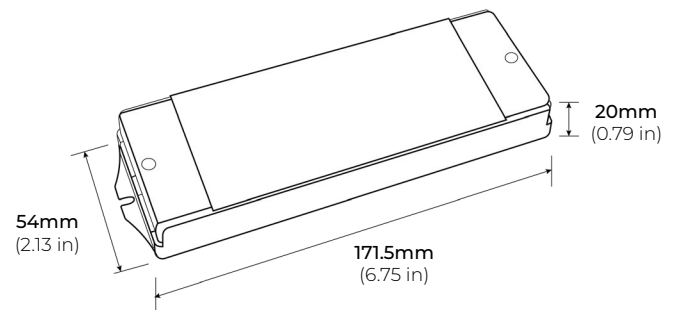
### SPECIFICATIONS

CLASS 2	Yes
WATTAGE	30W
INPUT VOLTAGE	120-277V
FREQUENCY	47-63Hz
OUTPUT VOLTAGE	24V
DIMMING	DALI-2
CERTIFICATIONS	UL Listed
DIMENSIONS	171.5 x 54 x 20mm (6.75 x 2.13 x 0.79") (LxWxH)

### FEATURES

- 30W
- Full Range
- Flicker-free 0.1-100% dimming
- 4KHz High Frequency (DA2)

### DIMENSIONS



#### INPUT

INPUT VOLTAGE RANGE	100-277V AC
INPUT FREQUENCY RANGE	47 - 63 Hz

#### OUTPUT

OUTPUT VOLTAGE	24V
OUTPUT WATTAGE (MAX.)	30W
MINIMUM LOAD	0%
MAXIMUM LOAD	100%

