

## SPECIFICATION SHEET

JOB NAME: \_\_\_\_\_  
 LOCATION: \_\_\_\_\_  
 QUOTE/REF#: \_\_\_\_\_



LED dimmer switch and driver combo designed to simplify LED lighting systems. This low voltage dimmer and driver is compatible with most 24V tape lights and fits/mounts into standard in-wall electrical boxes. Dimming is controlled by an adjustable sliding lever that controls the output voltage.

### FEATURES

- LED Dimmer Switch and Driver Combo
- 100% ~ 1% Smooth Dimming
- ON/OFF Push Switch
- LED Dimmer Switch and Driver Combo
- Fits in a Standard Recessed Electrical Box
- No Minimum Load
- No Derating Required

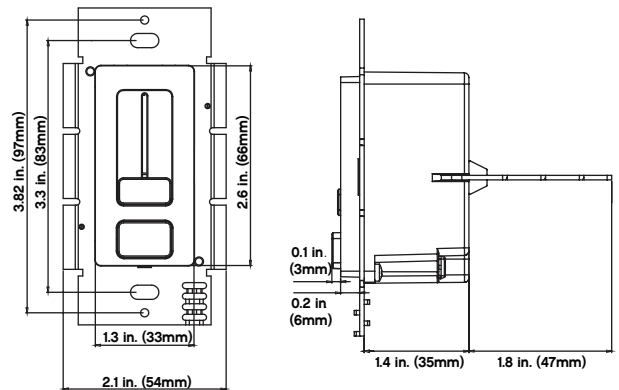
### APPLICATIONS

- Downlight
- Track Light
- Strip Lights
- Under-Cabinet Lighting

### SPECIFICATIONS

|                      |                                 |
|----------------------|---------------------------------|
| INPUT VOLTAGE        | 120VAC                          |
| MAX OUTPUT POWER     | 100W                            |
| OUTPUT VOLTAGE       | 24V DC                          |
| OUTPUT CURRENT RANGE | 4.2A                            |
| EFFICIENCY           | Up to 91%                       |
| THD                  | <20%                            |
| MAX CASE TEMP        | 90°C (measured at the hot spot) |
| POWER FACTOR         | >0.9                            |
| DIMMING RANGE        | 1~100% of light output          |
| START TIME           | 500 ms typical                  |

### DIMENSIONS



### ORDERING GUIDE EX: LSA-VSW-100U-24V

|                  |           |
|------------------|-----------|
| LSA-VSW-100U-24V |           |
| MODEL            | FINISH    |
|                  | WH- White |