

RGB CT-700

MASTER RGBW WIFI CONTROLLER

Project _____
Location _____
Quote/ Ref # _____

The **RGB CT-700** is a 4-channel constant voltage WiFi controller that is compatible with a variety of RF remotes, IOS, and Android mobile apps to control single, dual, and RGBW LEDs. Whether you have a large installation where you want different areas to display different colors or patterns, or a setup where a single set of lights can be controlled with multiple remotes, this exciting system fits the bill.



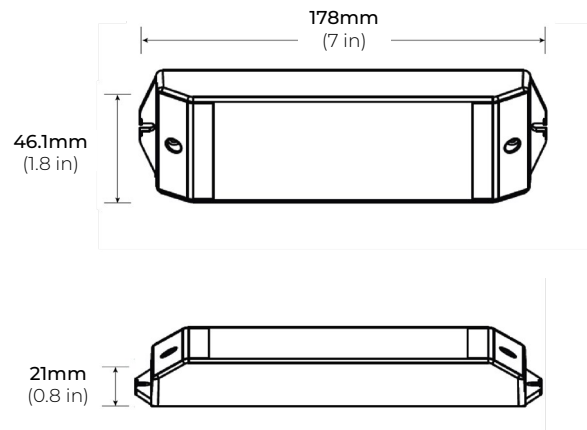
SPECIFICATIONS

INPUT VOLTAGE	12-24V DC
OUTPUT TYPE	Constant Voltage
POWER CAPACITY	RGB (288W) RGBW (384W)
NO. CHANNELS	4
OUTPUT CURRENT (MAX)	5A per Channel (20A Total)
OPERATING TEMPERATURE	-4°F (-20°C) ~ 122°F (50°C)
CERTIFICATIONS	UL Listed
DIMENSIONS	178 x 46.1 x 21mm (7 x 1.8 x 0.8") (LxWxH)

FEATURES

- 12-24V DC Constant Voltage
- 4 Channel Output
- Compatible with single color, dual color, and RGBW remotes
- Multiple zones can be controlled individually or synchronously
- Compatible with IOS or Android Mobile Apps
- 5-Year Warranty

DIMENSIONS



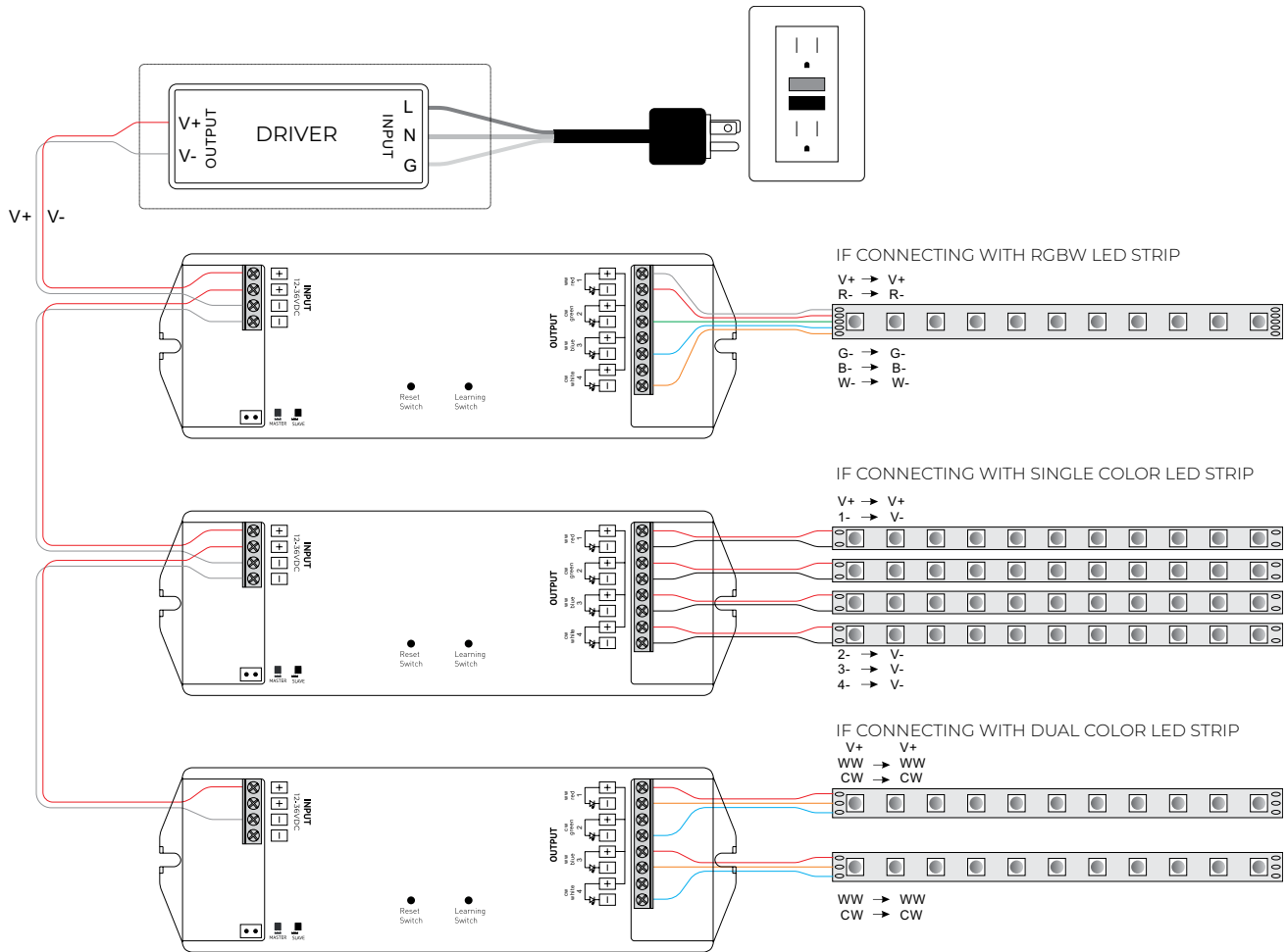
MODEL

CT-700

RGB CT-700

MASTER RGBW WIFI CONTROLLER

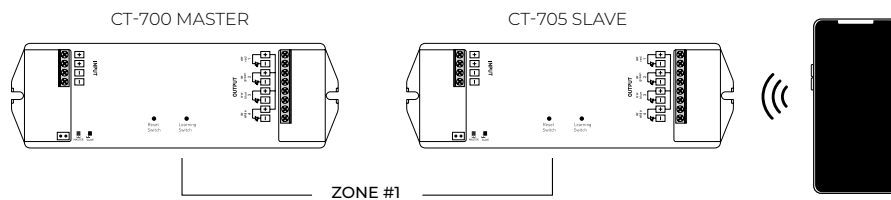
WIRING



MULTIPLE RECEIVERS IN USE

OPTION 1:

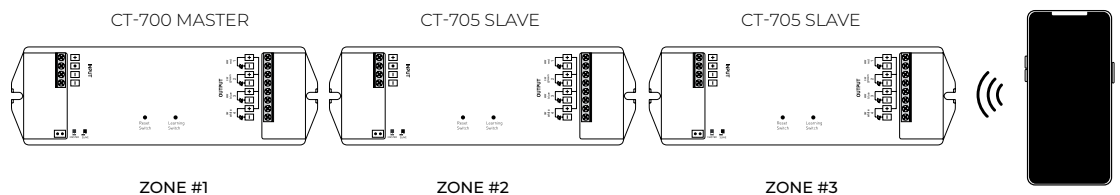
Receivers in the same zone



OPTION 2:

Receivers in individual zones

*1 Receiver per 300W

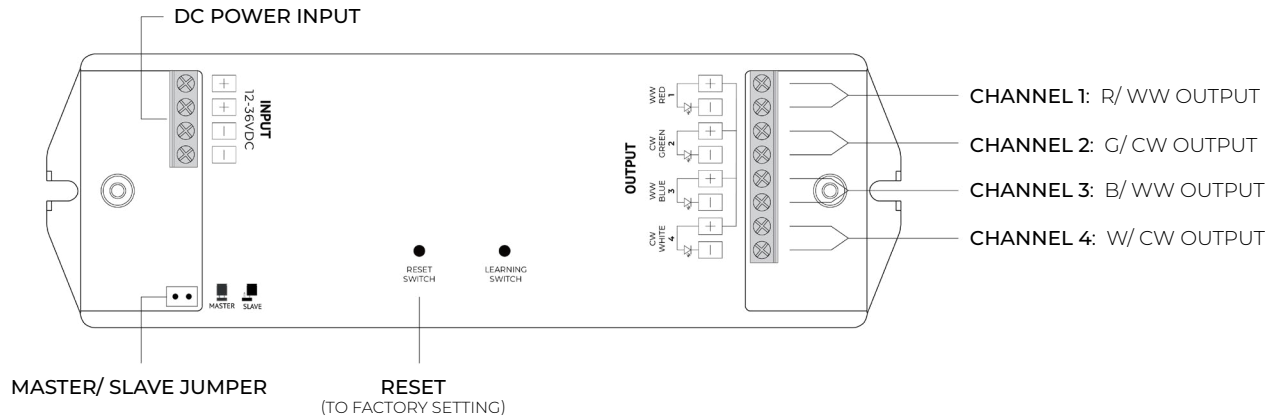


* In a group of multiple receiver in the same area, in order to get a good sync of RGB running effect, use one **MASTER CT-700** and the rest as **SLAVE CT-705-ZR**. After setting the Master, the Master receiver will need to power off and on once to make the Master function take place.

RGB CT-700

MASTER RGBW WIFI CONTROLLER

OPERATION

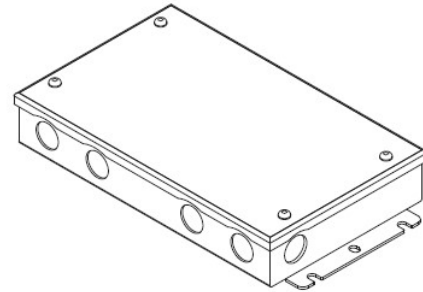


COMPATIBLE NON-DIMMING DRIVERS

PSHK SERIES

NON-DIMMING CONSTANT VOLTAGE WITH JUNCTION BOX

PSHK-30W-24V	CLASS 2	6.5" X 3.6" X 1.02"
PSHK-60W-24V	CLASS 2	7.4" X 3.62" X 1.02"
PSHK-96W-24V	CLASS 2	8.66" X 3.66" X 1.61"
PSHK-150W-24V		10.24" X 4.06" X 1.81"
PSHK-200W-24V		10.24" X 4.06" X 1.81"
PSHK-288W-24V	CLASS 2	11.85" X 4.25" X 1.82"
PSHK-300W-24V		10.24" X 4.25" X 1.81"



RGB CT-705-ZR

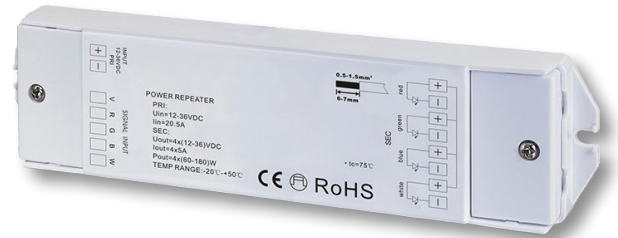
SLAVE RGBW WIFI CONTROLLER

Project _____

Location _____

Quote/ Ref # _____

The **RGB CT-705-ZR** is a 4-channel constant voltage power repeater that is designed to expand power output and receive PWM signal control. By adding additional power repeaters, the controller can control one to three times more LED strips.



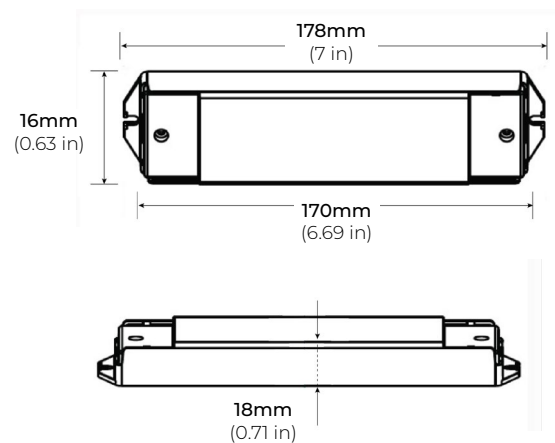
SPECIFICATIONS

INPUT VOLTAGE	12-24V DC
OUTPUT TYPE	Constant Voltage
POWER CAPACITY	RGB (288W) RGBW (384W)
NO. CHANNELS	4
OUTPUT CURRENT (MAX)	5A per Channel (20A Total)
OPERATING TEMPERATURE	-4°F (-20°C) ~ 122°F (50°C)
CERTIFICATIONS	UL Listed
DIMENSIONS	178 x 16 x 18mm (7 x 0.63 x 0.71") (LxWxH)

FEATURES

- 12-24V DC Constant Voltage
- 4 Channel Output
- Repeats dimming signal
- Able to receive PWM signal control
- Compatible with single color, dual color, and RGBW
- Able to daisy chain to expand output
- 5-Year Warranty

DIMENSIONS

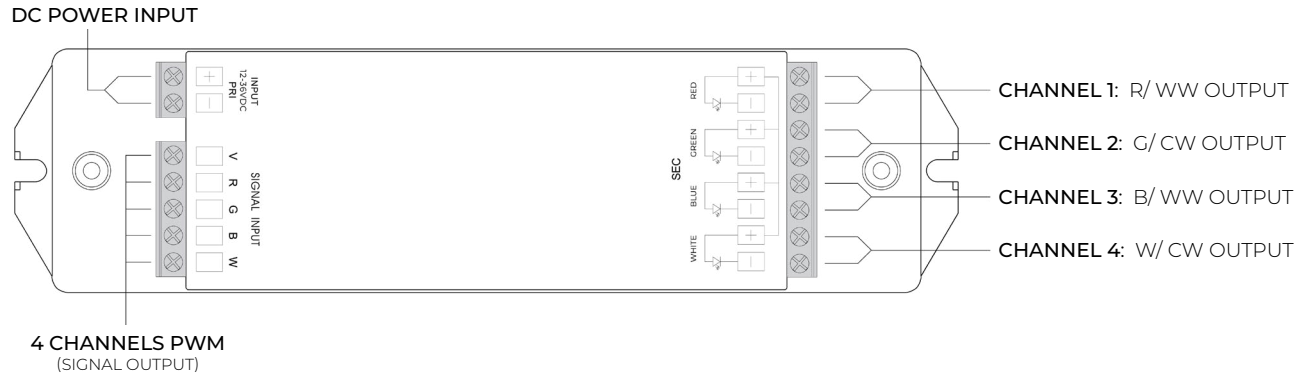


MODEL	
CT-705-ZR	

RGB CT-705-ZR

SLAVE RGBW WIFI CONTROLLER

OPERATION



COMPATIBLE NON-DIMMING DRIVERS

PSHK SERIES

NON-DIMMING CONSTANT VOLTAGE WITH JUNCTION BOX

PSHK-30W-24V	CLASS 2	6.5" X 3.6" X 1.02"
PSHK-60W-24V	CLASS 2	7.4" X 3.62" X 1.02"
PSHK-96W-24V	CLASS 2	8.66" X 3.66" X 1.61"
PSHK-150W-24V		10.24" X 4.06" X 1.81"
PSHK-200W-24V		10.24" X 4.06" X 1.81"
PSHK-288W-24V	CLASS 2	11.85" X 4.25" X 1.82"
PSHK-300W-24V		10.24" X 4.25" X 1.81"

