

PSRX-300W-12V-UNV

4-IN-1 DIMMABLE DRIVER W/ JUNCTION BOX

Project _____

Location _____

Quote/ Ref # _____

The **PSRX SERIES** indoor/outdoor drivers are highly efficient, stable with smooth dimming capability compatible with most TRIAC, ELV, MLV, 0-10V reverse and forward phase dimmers, and on/off switches. These drivers are derated allowing them to be loaded to maximum wattage capacity.



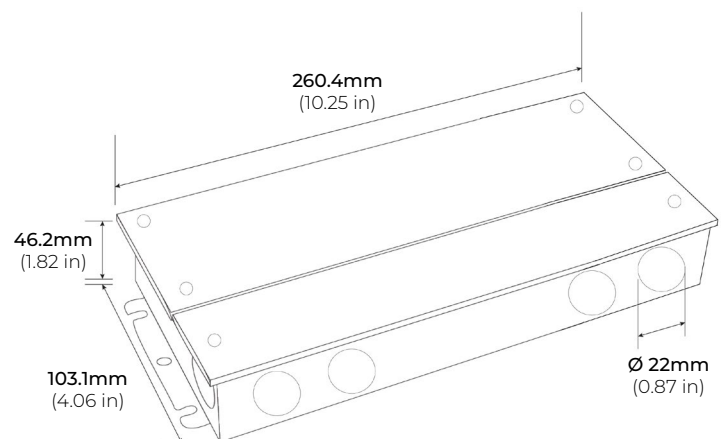
SPECIFICATIONS

INPUT	
INPUT VOLTAGE RANGE	100-277V AC
INPUT FREQUENCY RANGE	47 - 63 Hz
POWER FACTOR	> 0.92
POWER FACTOR (AVG.)	≥ 0.99 (120VAC); ≥ 0.97 (277VAC)
EFFICIENCY	> 88%
AC CURRENT (MAX.)	3.4A (100V AC)
INRUSH CURRENT	20A, 50%, 1.9ms
LEAKAGE CURRENT	< 0.5mA
OUTPUT	
OUTPUT VOLTAGE	12V DC
OUTPUT CURRENT (MAX.)	25A
OUTPUT WATTAGE (MAX.)	300W
MINIMUM LOAD	10%
MAXIMUM LOAD	100%
LOAD REGULATION	2%
LINE REGULATION	5%
PROTECTION	
SHORT CIRCUIT	Short Circuit auto recovery
OVERLOADING	≤120% shut down o/p voltage, repower on to recover
ENVIRONMENT	
WORKING TEMPERATURE	-40°F (-40°C) ~ 140°F (60°C)
WORKING HUMIDITY	20-90% RH, non-condensing
STORAGE TEMPERATURE	-40°F (-40°C) ~ 176°F (80°C)
SAFETY	
SAFETY STANDARDS	UL 8750, UL 1310
WITHSTAND VOLTAGE	I/P-O/P: 1.88KV AC
ISOLATION RESISTANCE	I/P-OP, 100MΩ/ 500V DC/ 25°C, 70%RH
EMC EMISSION	FCC Part 15 B
OTHER	
WARRANTY	5-Year Limited Warranty
DIMENSIONS (L x W x H)	10.25" x 4.06" x 1.82"
MTBF	50,000 Hrs.

FEATURES

- High power factor/ efficiency
- 0-100% Dimming Range
- Dry or wet location
- Superior PWM dimming technology
- Factory derated
- Only 10% minimum load
- Compatible with TRIAC, MLV, and ELV dimmers
- Free Air Convection Cooling

DIMENSIONS

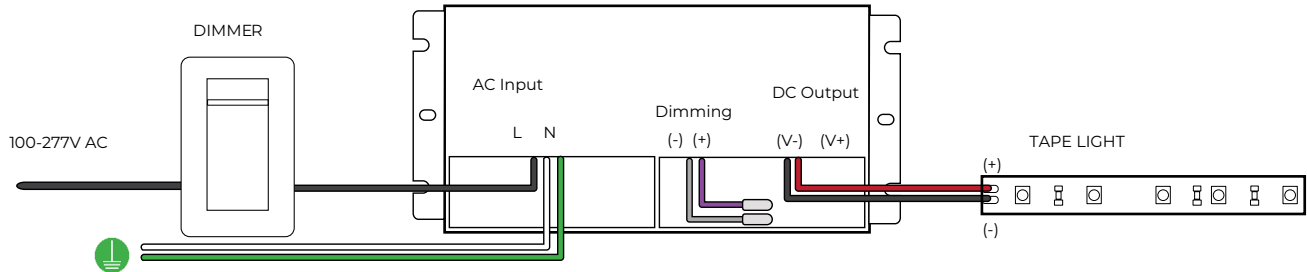


PSRX-300W-12V-UNV

4-IN-1 DIMMABLE DRIVER W/ JUNCTION BOX

WIRING DIAGRAM

TRIAC DIMMING



0-10V/ 1-10V DIMMING

