

# PSRX-192W-24V-UNV-CL2

## 4-IN-1 DIMMABLE DRIVER W/ JUNCTION BOX

Project \_\_\_\_\_  
Location \_\_\_\_\_  
Quote/ Ref # \_\_\_\_\_

The **PSRX SERIES** indoor/outdoor drivers are highly efficient, stable with smooth dimming capability compatible with most TRIAC, ELV, MLV, 0-10V reverse and forward phase dimmers, and on/off switches. These drivers are derated allowing them to be loaded to maximum wattage capacity.



### SPECIFICATIONS

INPUT	
INPUT VOLTAGE RANGE	100-277V AC
INPUT FREQUENCY RANGE	47 - 63 Hz
POWER FACTOR (AVG.)	≥ 0.99 (120VAC); ≥ 0.94 (277VAC)
AC CURRENT (MAX.)	1.3A (100V AC)
INRUSH CURRENT	19A, 1.6ms (120VAC) 38A, 960us (277VAC)
LEAKAGE CURRENT	< 0.5mA

OUTPUT	
OUTPUT VOLTAGE	24V DC
NO. OF CHANNELS	2
OUTPUT CURRENT (MAX.)	4A per Channel
OUTPUT WATTAGE (MAX.)	192W (2 x 96W)
LOAD REGULATION	± 1%
VOLTAGE REGULATION	± 0.5V

PROTECTION	
SHORT CIRCUIT	Powers on after fault is removed
OVERLOADING	≤120% shut down o/p voltage, repower on to recover

ENVIRONMENT	
WORKING TEMPERATURE	-40°F (-40°C) ~ 140°F (60°C)
WORKING HUMIDITY	20-90% RH, non-condensing
STORAGE TEMP./ HUMIDITY	-40°F (-40°C) ~ 176°F (80°C)/ 10-95% RH

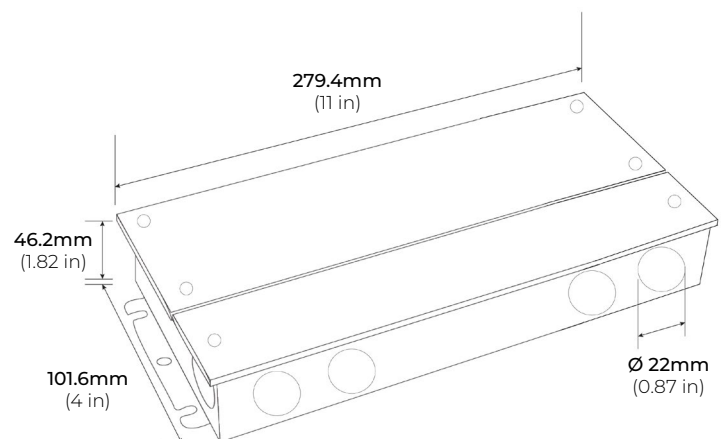
SAFETY	
SAFETY STANDARDS	UL 8750, UL 1310
WITHSTAND VOLTAGE	I/P-O/P: 1.88KV AC
ISOLATION RESISTANCE	I/P-OP: 100MΩ/ 500V DC/ 25°C, 70%RH
EMC EMISSION	FCC 47 CFR Part 15, Subpart B

OTHER	
WARRANTY	5-Year Limited Warranty
DIMENSIONS (L x W x H)	11" x 4" x 1.82"
KNOCKOUTS	8 knockouts - 7/8 inches

### FEATURES

- High power factor/ efficiency (up to 89%)
- 0-100% Dimming Range
- Dry or wet location
- Superior PWM dimming technology
- Factory derated
- Only 10% minimum load
- Compatible with TRIAC, MLV, and ELV dimmers
- Free Air Convection Cooling

### DIMENSIONS

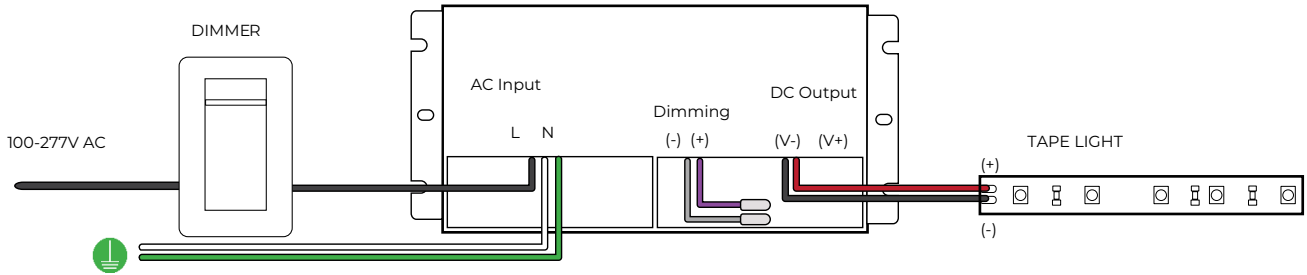


# PSRX-192W-24V-UNV-CL2

## 4-IN-1 DIMMABLE DRIVER W/ JUNCTION BOX

### WIRING DIAGRAM

#### TRIAC DIMMING



#### 0-10V/ 1-10V DIMMING

