

# ALP-75C

## SURFACE/CORNER MOUNT PROFILE

Project \_\_\_\_\_

Location \_\_\_\_\_

Quote/ Ref # \_\_\_\_\_

The **ALP-75C** is an Architectural-grade LED extrusion designed for surface/ corner mount applications and can fit linear LED strips up to 14mm (0.55") wide. Made from high quality aluminum and manufactured with a patented frosted diffuser for maximum lumen output and wider beam distribution.



## SPECIFICATIONS

TYPE	Surface/ Corner Mount
AVAILABLE LENGTHS	48 in./ 84 in./ 98.5 in.
FINISH	Black/ Silver
LENS OPTION	Frosted
CHANNEL	ALP75C
LENS	ALP75C-LN (Frosted)
END CAP	ALP75C-EC
MOUNTING CLIPS	ALP75C-CL
WARRANTY	5 Years

## FEATURES

- Customizable
- Durable, anodized aluminum
- Protects LED systems from dust and other elements
- Slim, low profile design
- Dissipates heat from LED, prolonging its lifetime
- Compatible with LED strips up to 14mm (0.55 in.) wide



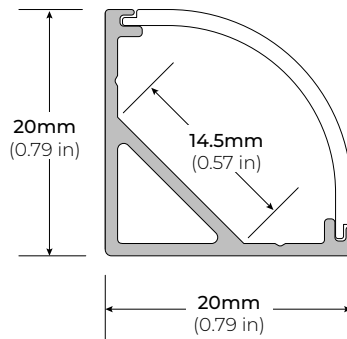
MODEL	LENGTH	LENS	FINISH
ALP75C	<b>49</b> 49 in.	<b>FR</b> Frosted Lens	<b>BK</b> Black
	<b>84</b> 84 in.		<b>SI</b> Silver
	<b>98</b> 98.5 in.		<b>CU</b> Custom (Powder Coat)

\* Custom color finishes require powder coating. Allow 7 days lead time.

# ALP-75C

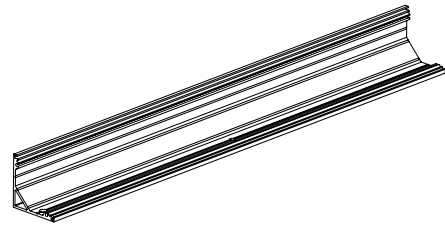
SURFACE/ CORNER MOUNT PROFILE

## DIMENSIONS

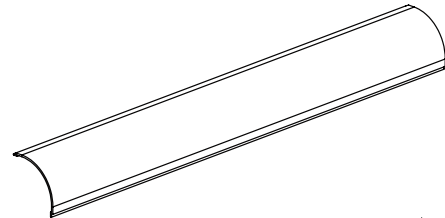


## COMPATIBLE ACCESSORIES

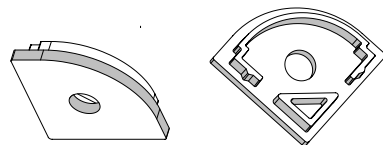
ALP75C  
ALUMINUM CHANNEL



ALP75C-LN  
PLASTIC LENS



ALP75C-EC  
END CAP



ALP75C-CL  
METAL MOUNTING CLIPS

