

ALP-135

SUSPENSION MOUNT LED PROFILE

Project _____

Location _____

Quote/ Ref # _____

ALP Suspension Series profiles are Architectural Grade LED extrusions designed for linear LED strips for suspended applications. Made from high quality aluminum, these extrusions provide superior thermal management for higher wattage LED strips. They come with a patented frosted lens diffuser for maximum lumen output and a wider beam spread/distribution.



SPECIFICATIONS

TYPE	Suspended Mount
AVAILABLE LENGTHS	48 in./ 98.5 in.
FINISH	White/ Black/ Silver
LENS OPTION	Frosted
TRANSFORMER	Remote
CHANNEL	ALP-135
LENS	ALP-135-LN
END CAP	ALP-135-EC
CABLE SUSPENSION KIT	ALP-CS12
POWER FEED KIT	ALP-CF (sold separately)
NON-POWER FEED KIT	ALP-CSB (sold separately)
WARRANTY	5 Years

FEATURES

- Compatible with LED strips up to 14mm (0.55 in.)
- Field Cuttable
- Durable anodized aluminum
- Protects LED systems from dust and other elements
- Suitable for suspended applications
- Dissipates heat from LED, prolonging its lifetime



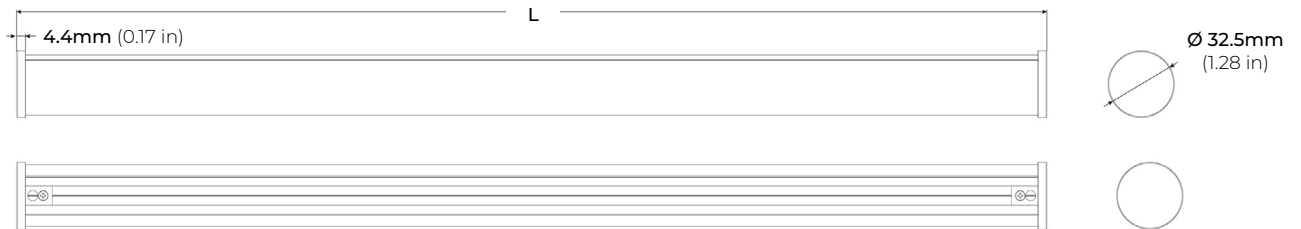
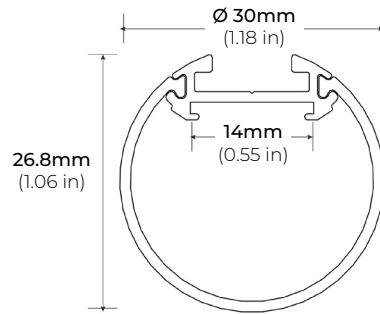
MODEL	LENGTH	LENS	FINISH
ALP-135	48 48 in.	FR Frosted Lens	WH White
	98 98.5 in.		BK Black
	XX Custom Length		SI Silver

* Frosted Lens included

ALP-135

SUSPENSION MOUNT LED PROFILE

DIMENSIONS



COMPATIBLE ACCESSORIES

ALP-135-EC END CAP

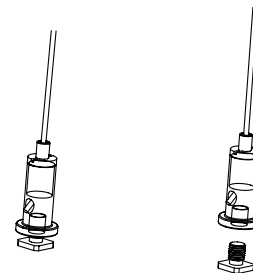
Ø 32.5mm x 2.4mm (Ø 1.28" x 0.09")

* TWO (2) INCLUDED WITH EVERY CHANNEL



MOUNTING ACCESSORIES

ALP-CS12 EUROPEAN SUSPENSION KIT



ALP-135

SUSPENSION MOUNT LED PROFILE

SUSPENSION KIT ACCESSORIES

POWER FEED SUSPENSION KIT

ALP-CF-WH
WHITE POWER FEED KIT

ALP-CF-BK
BLACK POWER FEED KIT

* SOLD SEPARATELY

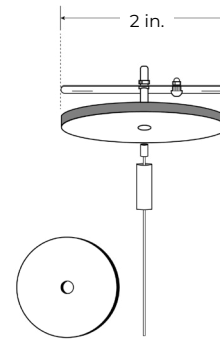


2" NON-POWER FEED SUSPENSION KIT

ALP-CSB-WH-2
2" WHITE FEED KIT

ALP-CSB-BK-2
2" BLACK FEED KIT

* SOLD SEPARATELY



5" NON-POWER FEED SUSPENSION KIT

ALP-CSB-WH-5
5" WHITE FEED KIT

ALP-CSB-BK-5
5" BLACK FEED KIT

* SOLD SEPARATELY

