

SLG-6000

RGBW INTERIOR LED LINEAR COVE

Project _____
Location _____
Quote/ Ref # _____

The **SLG-6000** is an RGB/RGBW LED Linear Cove Wall Washer, offering the highest performance in color-changing wall washing. Compatible with DMX systems, suitable for architectural, retail hospitality and display applications



SPECIFICATIONS

| | |
|-----------------------|---|
| INPUT VOLTAGE | 110-277V AC |
| OPERATING FREQUENCY | 50/ 60 Hz |
| DRIVER | Internal/ Built-In |
| POWER CONSUMPTION | 11.7W (1 Ft.) 45.2W (4FT.) |
| DISTRIBUTION | 120° x 120° |
| CRI | 90+ |
| COLOR TEMPERATURE | RGBW+27K/ RGBW+30K/ RGBW+35K/ RGBW+40K |
| DIMMING/ CONTROL | 110~240V AC/ TRIAC |
| LENS | Clear Polycarbonate |
| CONNECTORS | Integral Male/ Female 5 pin |
| MAXIMUM RUN LENGTH | Linkable up to 48 Ft. |
| ENVIRONMENT | Indoor/ Dry/ Damp Location |
| STARTUP TEMPERATURE | 14°F (-10°C) to 104°F (+40°C) |
| OPERATING TEMPERATURE | 14°F (-10°C) to 104°F (+40°C) |
| STORAGE TEMPERATURE | 40°F (-40°C) to 176°F (+80°C) |
| MOUNTING OPTIONS | Adjustable 80° + 80° |

FEATURES

- Up to 580+ Lumens per Ft. HP (Full On)
- 50+ Lumens per Watt
- DMX/ DALI MultiVolt Input Options
- Small Profile Fixture
- Continuous Run Capability
- Proprietary Adjustable Mounting Bracket
- Ideal for Facade Wall Washing, Shopping Mall, Cove Lighting, and Signage

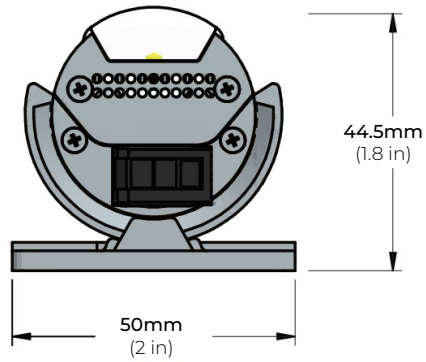


| MODEL | LENGTH | COLOR TEMP | VOLTAGE |
|-------|--------------|------------------|------------------|
| SLG | 12 12 In. | RGBW27K 2700K | UNV 120V~277V |
| | 48 48 In. | RGBW30K 3000K | |
| | | RGBW35K 3500K | |
| | | RGBW40K 4000K | |

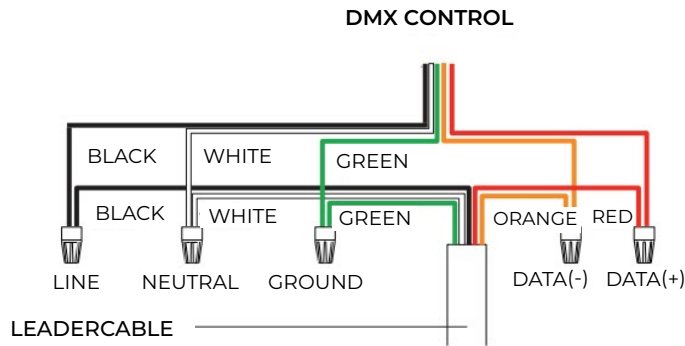
SLG-6000

RGBW INTERIOR LED LINEAR COVE

DIMENSIONS



WIRING



COMPATIBLE ACCESSORIES

SLG-LNK-12-DIM10

12" LINK CABLE



SLG-LNK-60-DIM10

60" LINK CABLE

SLG-HWC-120-DIM010

120" HARDWIRE CABLE

