

PSRX-60W-12V-UNV

4-in-1 Dimmable Driver with Junction Box

CORE
ARCHITECTURAL
LIGHTING

JOB NAME: _____
LOCATION: _____
QUOTE/REF#: _____



PSRX SERIES indoor/outdoor drivers are highly efficient, stable with smooth dimming capability compatible with most TRIAC, ELV, MLV, 0-10v reverse and forward phase dimmers, and on/off switches. These drivers are factory derated which allows them to be loaded to maximum wattage capacity.

FEATURES

- High power factor/efficiency
- Short circuit and over current protection
- 100~277V AC for any residential or commercial application
- Superior PWM dimming technology
- Factory derated
- Only 10% minimum load
- Compatible with TRIAC, MLV, ELV and 0-10V
- Flicker-free dimming

INPUT

INPUT VOLTAGE RANGE	100~277V AC
INPUT FREQUENCY RANGE	47~63 Hz
POWER FACTOR (AVG.)	≥0.99 (120VAC) ; ≥0.94 (277VAC)
AC CURRENT (MAX.)	0.5A (100V AC)
INRUSH CURRENT	14A, 50%, 1.4ms
LEAKAGE CURRENT	<0.5mA

OUTPUT

OUTPUT VOLTAGE	12V DC
OUTPUT CURRENT @ MAX LOAD	5A
OUTPUT MAX WATTAGE	60W
MINIMUM LOAD	10%
MAXIMUM LOAD	100%

ADDITIONAL SPECIFICATIONS

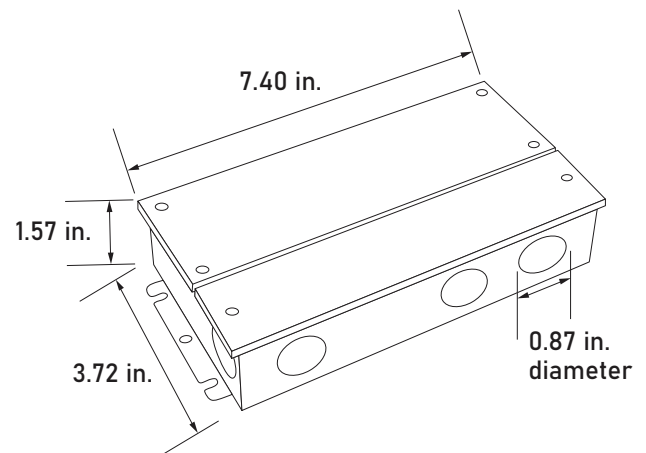
ENVIRONMENT	Outdoor Rated IP65
DIMMING	ELV, MLV, TRIAC & 0-10V
SHORT CIRCUIT	Short Circuit auto recovery
WIRE TERMINAL CONNECTION	Fits up to 12AWG
HOUSING / COOLING	Free-air convection

MISC

SAFETY STANDARDS	UL-8750, UL 1310
WITHSTAND VOLTAGE	I/P-O/P : 1.88KV AC
EMC EMISSION	FCC Part 15 B
WARRANTY	5 year Limited

SPECIFICATIONS

CLASS 2	YES
LOAD REGULATION	1%
LINE REGULATION	5%
INPUT FREQUENCY	47~63 Hz
POWER FACTOR	>0.92
EFFICIENCY	>79%
MTBF	50,000 hrs.
OPERATING ENVIRONMENT	-40°F ~ 140°F (-40°C ~ 60°C)
FUNCTION SURFACE TEMP	-40 to +80 (25 C AMB)
STORAGE TEMPERATURE	-40°F ~ 176°F (-40°C ~ 80°C)
HUMIDITY	20~90% RH, non condensing



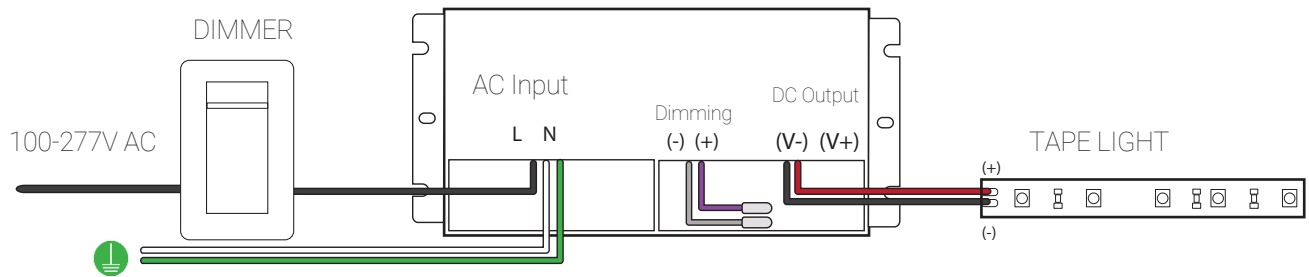
PSRX-60W-12V-UNV

4-in-1 Dimmable Driver with Junction Box

JOB NAME: _____
LOCATION: _____
QUOTE/REF#: _____

WIRING DIAGRAM

TRIAC dimming



0-10V/1-10V dimming

