

CIRCA-UNO

LED PENDANT

Project _____
Location _____
Quote/ Ref # _____

The **CIRCA-UNO Series** LED Ring pendant is an elegant circle LED lighting fixture that complies with current market and installation standards. Its unique structure makes installation fast and easy with connections hassle-free. The high efficiency lens diffuser provides a bright and even light. Available in different sizes and color temperatures. Ideal for offices, schools, hospitals, supermarkets, shopping malls, hotels and public areas.



SPECIFICATIONS

INPUT VOLTAGE	110 - 277V
POWER CONSUMPTION	35W 55W 75W 97W
SIZES	24" 36" 48" 60"
LUMEN OUTPUT	650 Lm/ Ft. — 90 Lm/ W
CRI	90+
COLOR TEMPERATURE	27K/ 30K/ 35K/ 40K/ 50K
LED EFFICIENCY	120-130 Lm/W
DIMMING	MLV, ELV, 0-10 and TRIAC
OPERATING TEMPERATURE	-40°F (-40°C) to 140°F (60°C)
BINNING	1.5 Step Macadam Eclipse
BEAM ANGLE	120°
IP RATING	IP54 Indoor
DIFFUSER	Silicone, 80% Transmittance
CERTIFICATIONS	UL Listed
LUMEN MAINTENANCE	50,000 Hrs

FEATURES

- 650 Lm./ Ft.
- 90+ CRI
- Pure aluminum body
- Suspension Fixture
- Suitable for accent or ambient lighting
- Multiple CCT options available
- UL Listed
- Dimmable with CORE Lighting dimmable drivers



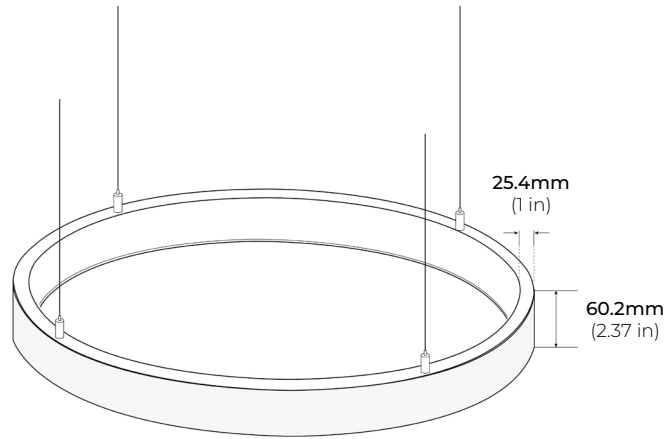
MODEL	SIZE	COLOR TEMP	FINISH	DRIVER
CSR200	24 24 In. 35W	27K 2700K	BK* Black	EB PSDL Series TRIAC ELV Dimming
	36 36 In. 55W	30K 3000K	WH White	D10 PSDE-96W-24-010JB 0-10V Dimming
	48 48 In. 75W	35K 3500K	SI Silver	HL2W Lutron 2-Wire
	60 60 In. 97W	40K 4000K		HL3E Lutron ECO 3-Wire
		50K 5000K		

* Quick Ship

CIRCA-UNO

LED PENDANT

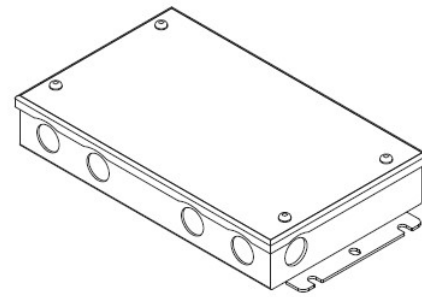
DIMENSIONS



COMPATIBLE DRIVERS

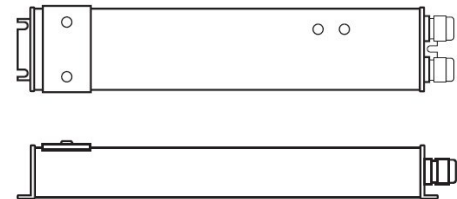
PSDL SERIES TRIAC DIMMABLE

PSDL-30W-24V	CLASS 2	6.5" X 3.63" X 1.03"
PSDL-60W-24V	CLASS 2	7.4" X 3.63" X 1.03"
PSDL-96W-24V	CLASS 2	8.67" X 3.67" X 1.62"
PSDL-150W-24V		8.67" X 3.67" X 1.62"
PSDL-192W-24V	CLASS 2	10.25" X 4.06" X 1.82"
PSDL-200W-24V		10.25" X 4.06" X 1.82"
PSDL-288W-24V	CLASS 2	10.25" X 4.06" X 1.82"
PSDL-300W-24V		10.25" X 4.06" X 1.82"



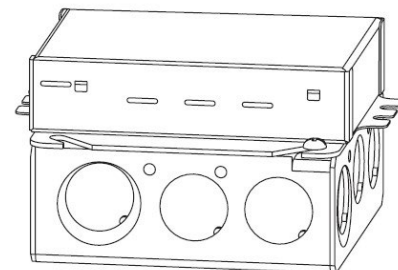
PSDE SERIES 0-10V DIMMING W/ JUNCTION BOX

PSDE-60W-24V-010-JB	CLASS 2	12.1" X 2.36" X 1.4"
---------------------	---------	----------------------



LUTRON 1% 2 OR 3-WIRE DIMMING

LTEA4U1UKL-CV240	CLASS 2	4.0" X 1.5" X 4.0"
L3DA4U1UKL-CV240	CLASS 2	4.0" X 1.5" X 4.0"



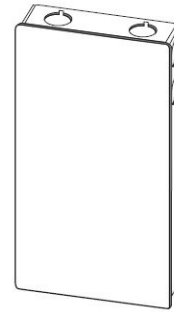
CIRCA-UNO

LED PENDANT

COMPATIBLE DRIVERS

LUTRON 1%

PSDE-96W-24V-ECO CLASS 2 10.5" X 3.0" X 2.0"



COMPATIBLE NON-DIMMING DRIVERS

PSHK SERIES

NON-DIMMING CONSTANT VOLTAGE WITH JUNCTION BOX

PSHK-30W-24V	CLASS 2	6.5" X 3.6" X 1.02"
PSHK-60W-24V	CLASS 2	7.4" X 3.62" X 1.02"
PSHK-96W-24V	CLASS 2	8.66" X 3.66" X 1.61"
PSHK-150W-24V		10.24" X 4.06" X 1.81"
PSHK-200W-24V		10.24" X 4.06" X 1.81"
PSHK-288W-24V	CLASS 2	11.85" X 4.25" X 1.82"
PSHK-300W-24V		10.24" X 4.25" X 1.81"

