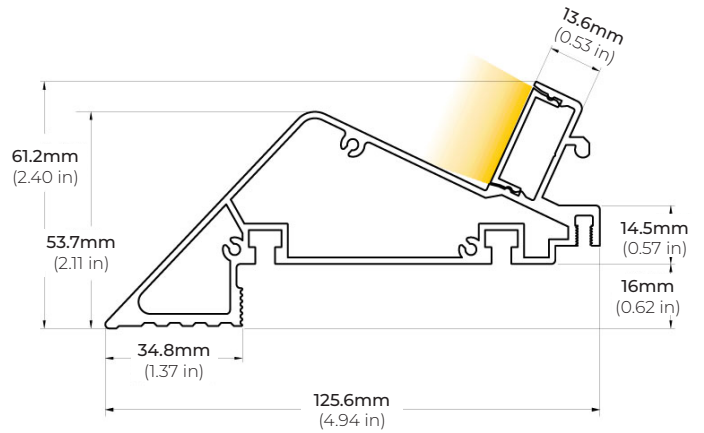


INSTALLATION GUIDE



DIMENSIONS



PRE-INSTALLATION

Trimless Mount



Disconnect power source prior to installation.

SAFETY

Read all instructions before installation.

These products may represent a possible shock or fire hazard if improperly installed.

This fixture is only suitable for indoor installation.

-  Product should be installed by a qualified electrician.
-  Product should be installed in accordance with these instructions and current electrical codes.

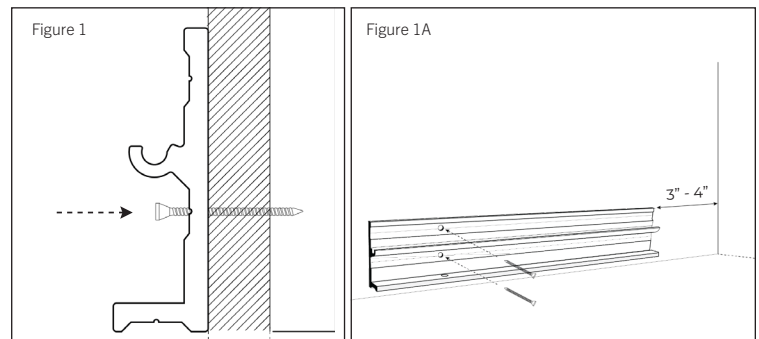
INSTALLATION

STEP 1

Secure the mounting bracket onto installation surface with screws. Make sure bracket is level to wall surface for the whole run length. (Figure 1)

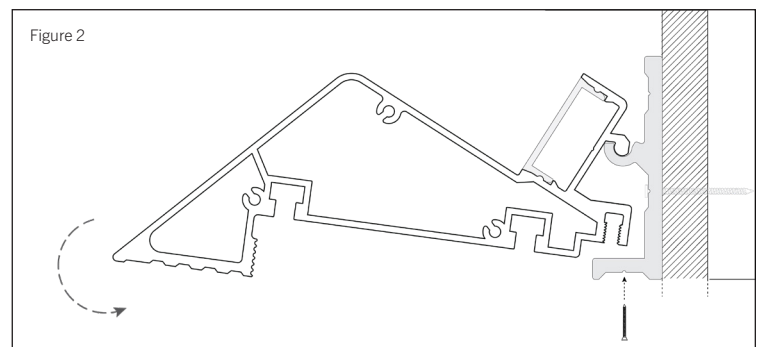
** If using corner pieces:*

Mount wall brackets 3-4" away from corner of mounting surface to accommodate the lengths of the corner pieces, for a seamless effect. (Figure 1A)



STEP 2

Align fixture to wall bracket, and insert at an angle to allow the fixture to fix on to wall bracket's upper slot. Rotate fixture downward, snapping it into place. Lock fixture onto wall mounting bracket using a screw. (Figure 2)



STEP 3

Screw end caps to profile