

ALP-1100TL

CORNER TRIMLESS LED PROFILE

Project _____

Location _____

Quote/ Ref # _____

The **ALP-1100TL** is an architectural-grade, trimless LED profile that installs into a 5/8" drywall, providing a seamless and continuous band of light at the base of the drywall partition. Compatible with LED strips up to 10.6mm (0.4 in) wide.



SPECIFICATIONS

TYPE	Recessed Mount
AVAILABLE LENGTHS	42 Ft./ 84 Ft.
FINISH	Matte White
LENS OPTION	Frosted
TRANSFORMER	Remote
CHANNEL	ALP1100TL
LENS (INCLUDED)	ALP1100TL-LN
STRAIGHT CONNECTOR	ALP1100TL-STB
INTERNAL CONNECTOR	ALP1100TL-INB

FEATURES

- Compatible with LED strips up to 10.6mm (0.4 in.)
- Field Cuttable
- Installs within drywall depth
- Recessed mount to fit flush onto installation surface
- Frosted lens diffuser included
- Dissipates heat from LED, prolonging its lifetime

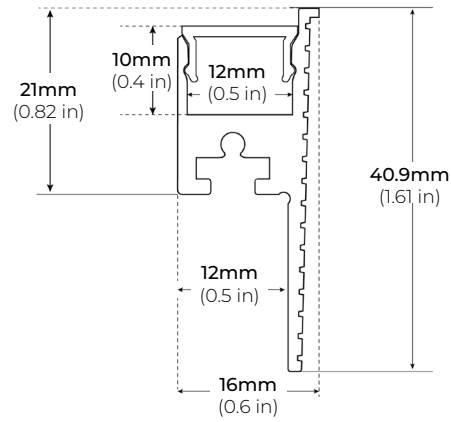


MODEL	LENGTH	LENS
ALP-1100TL	42 42 Ft.	FR Frosted
	84 84 Ft.	

ALP-1100TL

CORNER TRIMLESS LED PROFILE

DIMENSIONS



COMPATIBLE ACCESSORIES

ALP2000TL-STB
STRAIGHT CONNECTOR
* SOLD SEPARATELY

