

SLG-4200

0-10V HP INTERNAL LED LINEAR COVE

Project _____
Location _____
Quote/ Ref # _____

The **SLG-4200** linear cove / wall washer comes in high and standard outputs with multiple color temperature options. Its proprietary small, adjustable mounting and continuous run connectors make the SLG-4200 series suitable for any architectural, retail, hospitality and display applications.



SPECIFICATIONS

INPUT VOLTAGE	110-277V AC
OPERATING FREQUENCY	50/ 60 Hz
DRIVER	Internal/ Built-In
POWER CONSUMPTION	11.9W (1 Ft.) 48W (4FT.)
DISTRIBUTION	10° x 10°/ 10° x 60°/ 30° x 60°
CRI	90+
COLOR TEMPERATURE	22K/ 25K/ 27K/ 30K/ 35K/ 40K/ 50K
DIMMING/ CONTROL	110-277V AC 0-10V, DMX/ RDM
LENS	Clear Polycarbonate
CONNECTORS	Integral Male/ Female 5 pin
MAXIMUM RUN LENGTH	48 Ft.
ENVIRONMENT	Indoor/ Dry/ Damp Location
OPERATING TEMPERATURE	14°F (-10°C) to 104°F (+40°C)
STORAGE TEMPERATURE	40°F (-40°C) to 176°F (+80°C)
MOUNTING OPTIONS	Adjustable 80° + 80°
CERTIFICATIONS	ETL, Conforms to UL STD 1598, Certified to CSA STD C2.2 NO.250.0-08

FEATURES

- Up to 1100+ Lumens per Ft.
- Up to 90+ Lumens per Watt
- Proprietary Optical Technology
- 0-10V, DMX and MultiVolt Input Options
- Small Profile Fixture
- Continuous Run Capability
- Proprietary Adjustable Mounting Bracket
- Facade Wall Washing
- Graze Lighting
- Signage

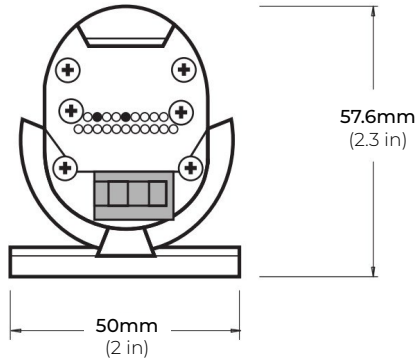


MODEL	LENGTH	COLOR TEMP	OPTICS	VOLTAGE	DIMMING
SLG	4212 12 In.	22K 2200K	BX1010 10° x 10°	MVOLT 120V~277V	DIM10 0-10V
	4248 48 In.	25K 2500K	BV1060 10° x 60°		
		27K 2700K	BG3060 30° x 60°		
		30K 3000K			
		35K 3500K			
		40K 4000K			
		50K 5000K			

SLG-4200

0-10V HP INTERNAL LED LINEAR COVE

DIMENSIONS



LUMENS

MODEL	CCT	Lumen/ FT	EFFICACY (lm/W)
SLG-4200	2200K	993	84.6
	2500K	1004	84.8
	2700K	1015	85.3
	3000K	1026	86.2
	3500K	1038	87.2
	4000K	1045	87.8
	5000K	1056	88.3

COMPATIBLE ACCESSORIES

SLG-LNK-12-DIM10

12" LINK CABLE



SLG-LNK-60-DIM10

60" LINK CABLE

SLG-HWC-120-DIM010

120" HARDWIRE CABLE

