

# LNT-45WD

4W Warm-Dim Flexible Neon Series

JOB NAME: \_\_\_\_\_  
LOCATION: \_\_\_\_\_  
QUOTE/REF#: \_\_\_\_\_



## SPECIFICATIONS

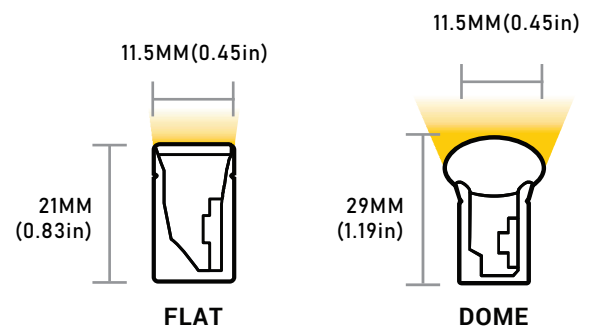
<b>INPUT VOLTAGE</b>	24V DC Constant Voltage
<b>POWER CONSUMPTION</b>	4W per Ft.
<b>LUMEN OUTPUT</b>	(Flat) 104 Lumens/Ft. (Dome) 134 Lumens/Ft.
<b>BEAM ANGLE</b>	(Flat) 111.4° (Dome) 150.4°
<b>CRI</b>	90
<b>DIMMING</b>	MLV, ELV, 0-10 & TRIAC
<b>MAXIMUM RUN LENGTH</b>	29 Ft.
<b>IP RATING</b>	IP67 / IP68
<b>LUMEN MAINTENANCE</b>	50,000 Hours
<b>POWER FACTOR</b>	≤ 1
<b>OPERATING TEMPERATURE</b>	-40°F ~ 131°F (-40°C ~ 55°C)
<b>STORAGE TEMPERATURE</b>	-40°F ~ 140°F (-40°C ~ 60°C)
<b>HUMIDITY</b>	0-95% Non Condensing
<b>CERTIFICATIONS</b>	UL Listed
<b>DIMENSIONS</b>	(Flat) Width x Depth: 0.45" x 0.83" (Dome) Width x Depth: 0.45" x 1.19"

**LNT45WD** is a **WARM-DIM** high-performance flexible LED strip designed as a neon replacement. Suitable for indoor and outdoor applications, the **LNT45WD** automatically shifts color temperatures from 30K down to 18K as it is being dimmed. It easily bends around contours and tight curves without being damaged.

## FEATURES

- Auto warm-dim technology
- Smooth illumination
- Bottom, Side & End-Feed Options
- 50 Ft. maximum run length
- UL listed
- Dimmable with CORE dimmable drivers

	COLOR TEMP	CRI	LUMEN/FT
	1800K	90	104
	3000K	90	104



# LNT-45WD

4W Warm-Dim Flexible Neon Series

## STANDARD ORDERING CODE

Model	Lens	Color Temp	Voltage	Length (CODE)	Power Feed	Power Feed Length
LNT-45WD	F Flat	18K/30K 1800K / 3000K	24V 24V DC	Please refer to pages 6-7 for exact lengths with corresponding ordering codes.	<b>IP67BF</b> Bottom Feed	<b>HW3</b> 3 Ft. power feed
	<b>D</b> Dome				<b>IP67SFL</b> Side Feed Left	<b>HW10</b> 10 Ft. power feed
					<b>IP67SFR</b> Side Feed Right	<b>HW16</b> 16 Ft. power feed
					<b>IP67EF</b> End Feed	<b>HW32</b> 32 Ft. power feed
					<b>IP68BF</b> Bottom Feed	<b>HW50</b> 50 Ft. power feed
					<b>IP68SFL</b> Side Feed Left	
					<b>IP68SFR</b> Side Feed Right	
					<b>IP68EF</b> End Feed	


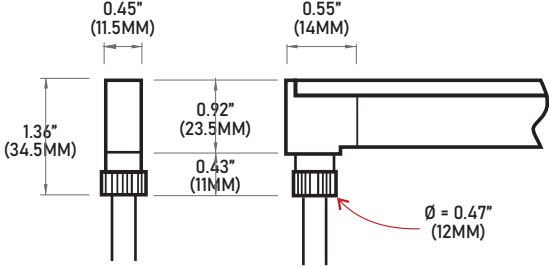
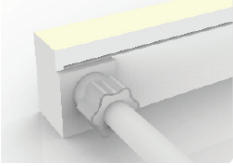
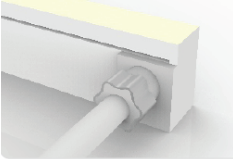
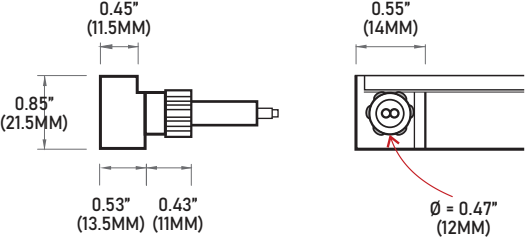
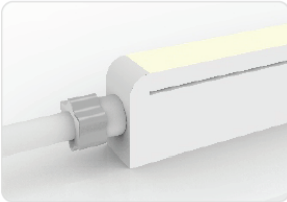
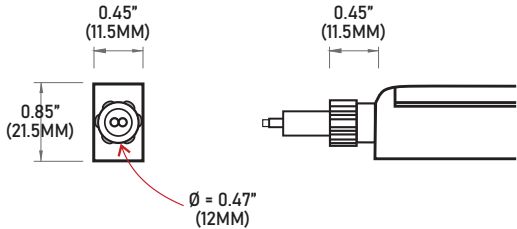
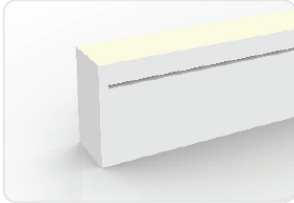
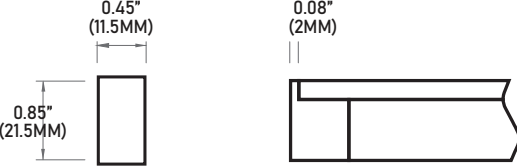
Standard lead wire length - 36 inches

Optional lead wire lengths available: 1Ft., 3Ft., 10Ft., 16Ft., 32Ft., 50Ft.

# LNT-45WD

4W Warm-Dim Flexible Neon Series

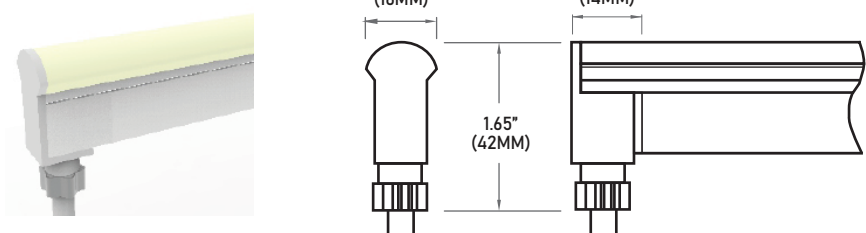
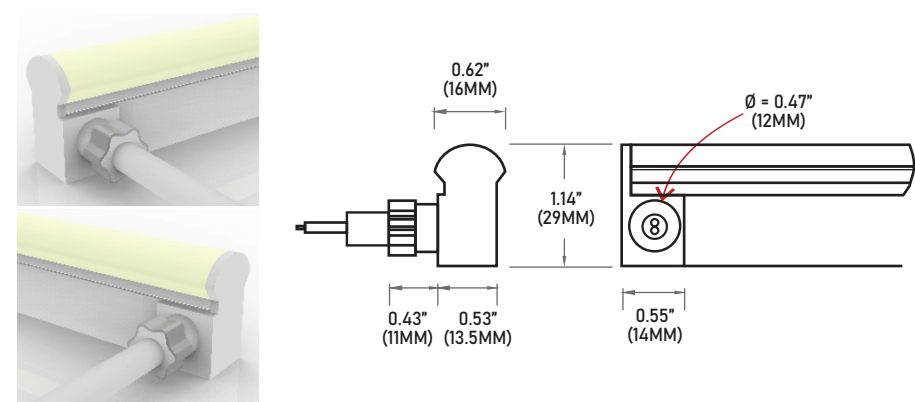
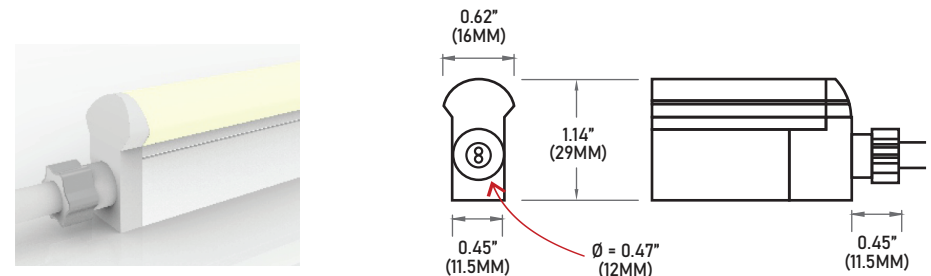
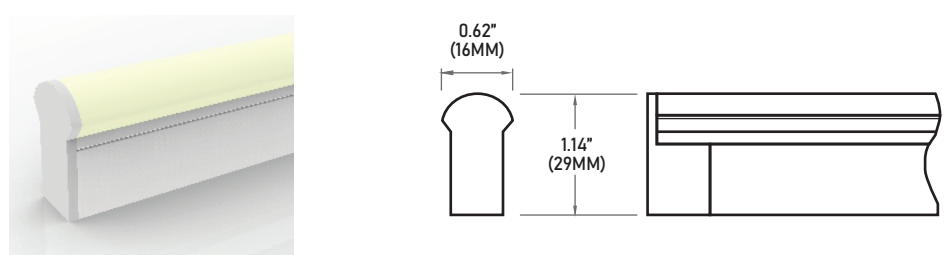
## IP67-IP68 POWER FEED OPTIONS (FLAT)

<p><b>BF - Bottom Feed</b></p>	 
<p><b>SFL - Side Feed Left</b> <b>SFR - Side Feed Right</b></p>	<p><b>LEFT</b></p>  <p><b>RIGHT</b></p>  
<p><b>EF - End Feed</b></p>	 
<p><b>EC - End Cap</b></p>	 

# LNT-45WD

4W Warm-Dim Flexible Neon Series

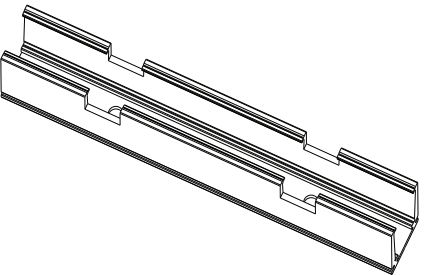
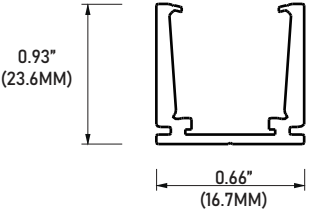
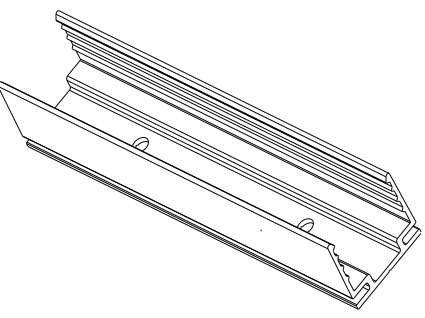
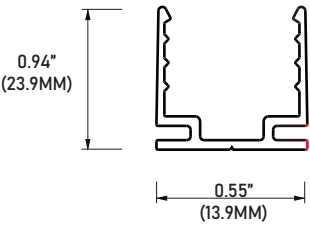
## IP67-IP68 POWER FEED OPTIONS (DOME)

<p><b>BF - Bottom Feed</b></p>	
<p><b>SFL - Side Feed Left</b> <b>SFR - Side Feed Right</b></p>	<p><b>LEFT</b></p> 
<p><b>EF - End Feed</b></p>	
<p><b>EC - End Cap</b></p>	

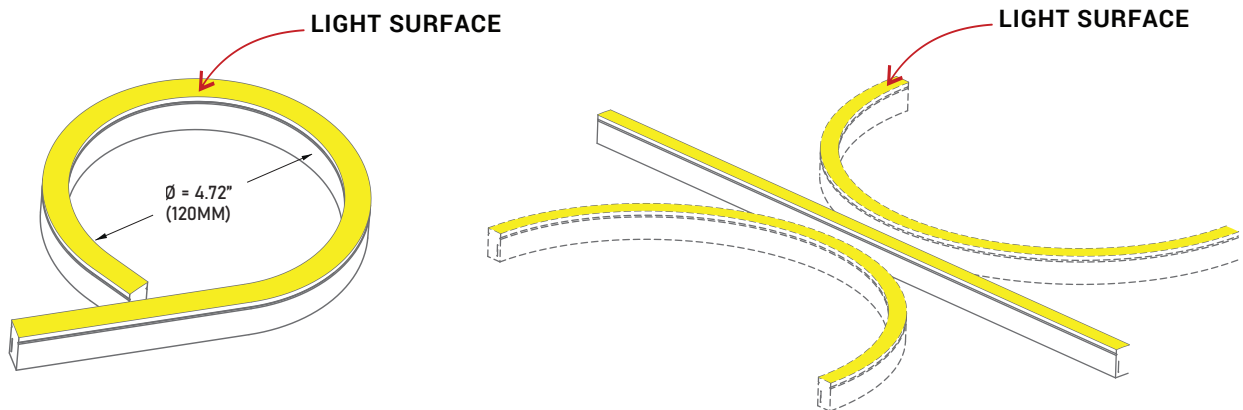
# LNT-45WD

4W Warm-Dim Flexible Neon Series

## ACCESSORIES

<p><b>SELF LOCKING ALUMINUM PROFILE</b></p> <p><b>LNT45-AC2</b>    2" Profile <b>LNT45-AC39</b>   39" Profile</p>	 
<p><b>PLASTIC PROFILE</b></p> <p><b>LNT45-PC39</b>   39" Profile</p>	 

## BEND RADIUS



### NOTE:

LED strip **ONLY** bends **SIDWAYS**, along horizontal axis.  
Bending the LED strip vertically (perpendicular) to the light surface risks damage to the LED strip.  
Do **NOT** bend the LED strip more than the indicated bend radius (shown above). Doing so will damage the LED strip.

# LNT-45WD

4W Warm-Dim Flexible Neon Series

LNT45WD Series is cuttable every **3.28" (8.33CM)**. Please refer to chart below to determine actual lengths once LED is cut versus actual lengths required or specified.

Total Length Calculation = order code length + end feed option length  
 example: **50.85" total length = order code 15 + flat side feed option (49.20" + 1.65")**

Optional lead wire lengths available: 3Ft., 10Ft., 16Ft., 32Ft., 50Ft.

POWER FEED OPTION	LENGTH
END FEED	0.45"
BOTTOM FEED	0.55"
SIDE FEED	0.55"

## CUTTING LENGTH INCREMENT TABLE

CODE	LENGTH IN CM	LENGTH IN INCHES	CODE	LENGTH IN CM	LENGTH IN INCHES
1	8	3.28	34	283	111.52
2	17	6.56	35	292	114.80
3	25	9.84	36	300	118.08
4	33	13.12	37	308	121.36
5	42	16.40	38	317	124.64
6	50	19.68	39	325	127.92
7	58	22.96	40	333	131.20
8	67	26.24	41	342	134.48
9	75	29.52	42	350	137.76
10	83	32.80	43	358	141.04
11	92	36.08	44	367	144.32
12	100	39.36	45	375	147.60
13	108	42.64	46	383	150.88
14	117	45.92	47	392	154.16
15	125	49.20	48	400	157.44
16	133	52.48	49	408	160.72
17	142	55.76	50	417	164.00
18	150	59.04	51	425	167.28
19	158	62.32	52	433	170.56
20	167	65.60	53	442	173.84
21	175	68.88	54	450	177.12
22	183	72.16	55	458	180.40
23	192	75.44	56	467	183.68
24	200	78.72	57	475	186.96
25	208	82.00	58	483	190.24
26	217	85.28	59	492	193.52
27	225	88.56	60	500	196.80
28	233	91.84	61	508	200.08
29	242	95.12	62	517	203.36
30	250	98.40	63	525	206.64
31	258	101.68	64	533	209.92
32	267	104.96	65	542	213.20
33	275	108.24	66	550	216.48

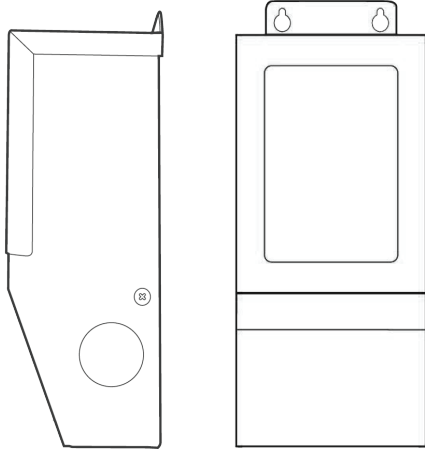
# LNT-45WD

4W Warm-Dim Flexible Neon Series

CUTTING LENGTH INCREMENT TABLE

CODE	LENGTH IN CM	LENGTH IN INCHES	CODE	LENGTH IN CM	LENGTH IN INCHES
67	558	219.76	107	891	219.76
68	567	223.04	108	900	223.04
69	575	226.32	109	908	226.32
70	583	229.60	110	916	229.60
71	592	232.88	111	925	232.88
72	600	236.16	112	933	236.16
73	608	239.44	113	941	239.44
74	617	242.72	114	950	242.72
75	625	246.00	115	958	246.00
76	633	249.28	116	966	249.28
77	642	252.56	117	975	252.56
78	650	255.84	118	983	255.84
79	658	259.12	119	991	259.12
80	666	262.40	120	1000	262.40
81	675	265.68	121	1008	265.68
82	683	268.96	122	1016	268.96
83	691	272.24	123	1025	272.24
84	700	275.52	124	1033	275.52
85	708	278.80	125	1041	278.80
86	716	282.08	126	1050	282.08
87	725	285.36	127	1058	285.36
88	733	288.64	128	1066	288.64
89	741	291.92	129	1075	291.92
90	750	295.20	130	1083	295.20
91	758	298.48	131	1091	298.48
92	766	301.76	132	1100	301.76
93	775	305.04	133	1108	305.04
94	783	308.32	134	1116	308.32
95	791	311.60	135	1125	311.60
96	800	314.88	136	1133	314.88
97	808	318.16	137	1141	318.16
98	816	321.44	138	1150	321.44
99	825	324.72	139	1158	324.72
100	833	328.00	140	1166	328.00
101	841	331.28	141	1175	331.28
102	850	334.56	142	1183	334.56
103	858	337.84	143	1191	337.84
104	866	341.12	144	1200	341.12
105	875	344.40	145	1208	344.40
106	883	347.68	146	1216	347.68

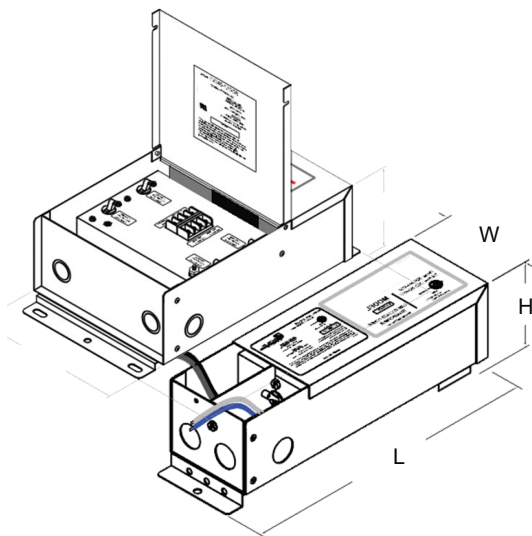
## COMPATIBLE TRANSFORMERS



### PSDM 24V SERIES

DIMMABLE MAGNETIC LOW VOLTAGE (MLV)

<b>PSDM-20W-24V</b>	CLASS 2	5.6" x 2" x 2.14"
<b>PSDM-40W-24V</b>	CLASS 2	5.6" x 2" x 2.14"
<b>PSDM-60W-24V</b>	CLASS 2	6.5" x 2.3" x 2.5"
<b>PSDM-100W-24V</b>	CLASS 2	6.5" x 2.3" x 2.5"
<b>PSDM-150W-24V</b>		9.8" x 3" x 3"
<b>PSDM-192W-24V</b>	CLASS 2	7.0" x 7.0" x 3.2"
<b>PSDM-200W-24V</b>		9.8" x 3" x 3"
<b>PSDM-288W-24V</b>	CLASS 2	9.8" x 4.2" x 3.5"
<b>PSDM-300W-24V</b>		7.0" x 7.0" x 3.2"



### PSDH SERIES HIGH PERFORMANCE MAGNETIC LOW VOLTAGE (MLV)

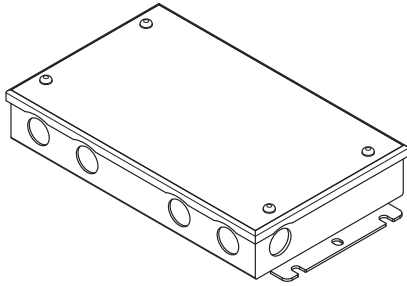
<b>PSDH-48W-24V</b>	CLASS 2	11.25" x 3.37" x 3.25"
<b>PSDH-96W-24V</b>	CLASS 2	11.25" x 3.37" x 3.25"
<b>PSDH-288W-24V</b>	CLASS 2	14.25" x 8.43" x 4.43"



# LNT-45WD

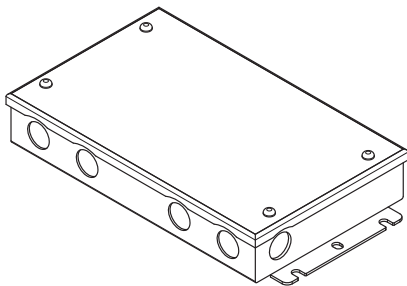
4W Warm-Dim Flexible Neon Series

## COMPATIBLE TRANSFORMERS



### PSDL SERIES TRIAC DIMMABLE

<b>PSDL-30W-24V</b>	CLASS 2	6.5"x 3.63"x 1.03"
<b>PSDL-60W-24V</b>	CLASS 2	7.4"x 3.63"x 1.03"
<b>PSDL-96W-24V</b>	CLASS 2	8.67"x 3.67"x 1.62"
<b>PSDL-150W-24V</b>	CLASS 2	8.67"x 3.67"x 1.62"
<b>PSDL-192W-24V</b>	CLASS 2	10.25"x 4.06"x 1.82"
<b>PSDL-200W-24V</b>	CLASS 2	10.25"x 4.06"x 1.82"
<b>PSDL-288W-24V</b>	CLASS 2	10.25"x 4.06"x 1.82"
<b>PSDL-300W-24V</b>	CLASS 2	10.25"x 4.06"x 1.82"



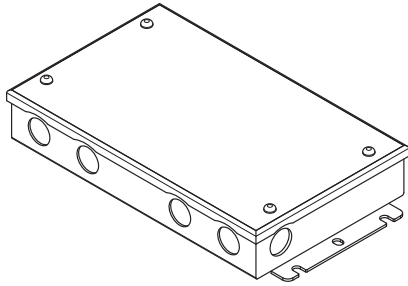
### PSHK SERIES NON-DIMMING W/ JUNCTION BOX

<b>PSHK-30W-24V-UNV</b>	CLASS 2	6.5" X 3.6" X 1.02"
<b>PSHK-60W-24V-UNV</b>	CLASS 2	7.4" X 3.62" X 1.02"
<b>PSHK-96W-24V-UNV</b>	CLASS 2	8.66" X 3.66" X 1.61"
<b>PSHK-150W-24V-UNV</b>		10.24" X 4.06" X 1.81"
<b>PSHK-200W-24V-UNV</b>		10.24" X 4.06" X 1.81"
<b>PSHK-300W-24V-UNV</b>		10.94" X 4.25" X 1.81"

# LNT-45WD

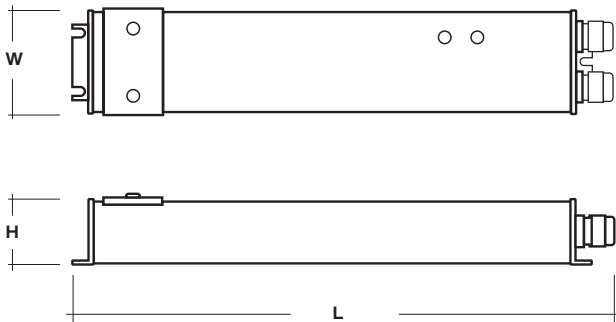
4W Warm-Dim Flexible Neon Series

## COMPATIBLE TRANSFORMERS



### PSVT SERIES 0-10V DIMMING WITH JUNCTION BOX

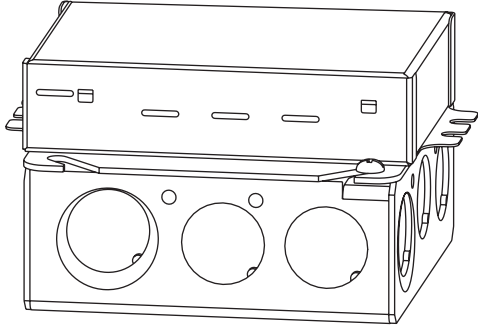
<b>PSVT-60W-24V-UNV-010</b>	CLASS 2	7.4" x 3.72" x 1.57"
<b>PSVT-96W-24V-UNV-010</b>	CLASS 2	8.66" x 3.72" x 1.57"
<b>PSVT-200W-24V-UNV-010</b>		10.24" x 4.13" x 1.77"
<b>PSVT-288W-24V-UNV-010</b>	CLASS 2	11.85" x 4.25" x 1.81"
<b>PSVT-300W-24V-UNV-010</b>		10.94" x 4.33" x 1.77"



### PSDE SERIES 0-10V DIMMING WITH JUNCTION BOX

<b>PSDE-60W-24V-010-JB</b>	CLASS 2	12.1" x 2.36" x 1.4"
<b>PSDE-96W-24V-010-JB</b>	CLASS 2	12.1" x 2.36" x 1.4"
<b>PSDE-180W-24V-010</b>	CLASS 2	9.6" x 2.79" x 1.47"

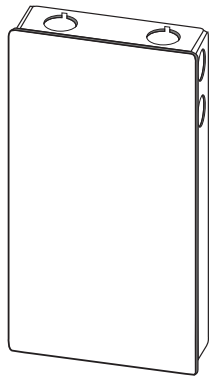
## COMPATIBLE TRANSFORMERS



**LUTRON 1%** 2 OR 3-WIRE DIMMING

**LTEA4U1UKL-CV240** CLASS 2 4.0" x 1.5" x 4.0"

**L3DA4U1UKL-CV240** CLASS 2 4.0" x 1.5" x 4.0"



**LUTRON 1%**

**PSDE-96W-24V-ECO** CLASS 2 10.5" x 3.0" x 2.0"