

LWWSLRGBW

High-Output Mini RGB/RGBW LED Wall Washer



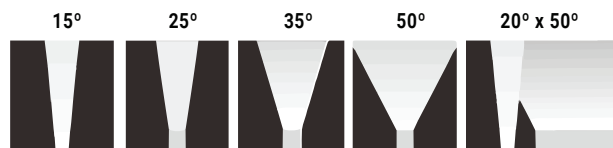
The LWWSL-RGBW Mini LED Wall Washer is a high-performance low voltage luminaire designed for outdoor facade lighting. It is available in 500mm and 100mm. It features color-changing ability with high radiance for an optimal color scheme. The multiple optic designs and anti-glare louver making this luminaire extremely versatile in supporting to a variety of architecture applications

SPECIFICATIONS

POWER CONSUMPTION	18W (20") 36W (40")
CONTROL	DMX
CRI	90
COLOR TEMPERATURE	RGBW 4-IN-1
MAXIMUM RUN LENGTH	Linkable up to 6 fixtures (assorted)
OPERATING VOLTAGE	24V
OPERATING FREQUENCY	50 / 60 Hz
STORAGE TEMPERATURE	-30°C to 60°C
OPERATING TEMPERATURE	-10°C to 50°C
BEAM ANGLE OPTIONS	15° / 25° / 35° / 50° / 20° x 50°
IP RATING	IP66 Outdoor/Wet Location
LUMEN MAINTENANCE	50,000 hrs.

FEATURES

- 360 lumens per foot
- Linkable up to 6 fixtures (assorted lengths)
- Proprietary Optical Technology
- DMX Ready
- Proprietary Adjustable Mounting Bracket
- Facade Wall Washing
- Graze Lighting
- Signage



LWWSLRGBW

High-Output Mini RGB/RGBW LED Wall Washer



STANDARD ORDERING GUIDE



Model	Length	Color Temp	Optics	Mounting Option	Finish Option	Voltage
LWW-SL-RGBW	20 20" (18W)	RGB30K RGB+3000K	15 15°	STB Standard Tilting Bracket	TG Titanium Gray	24 24Volts DC
	40 40" (36W)	RGB40K RGB+4000K	25 25°	ETB Extended Tilting Bracket	*BK Black	
		RGB65K RGB+6500K	35 35°	LTB L-Shape Bracket	*WH White	
		50 50°	WMA Extended Mounting Arms			
		20X50 20° x 50°	STK Ground Stake			

* Special order item- allow up to 4 weeks of lead time



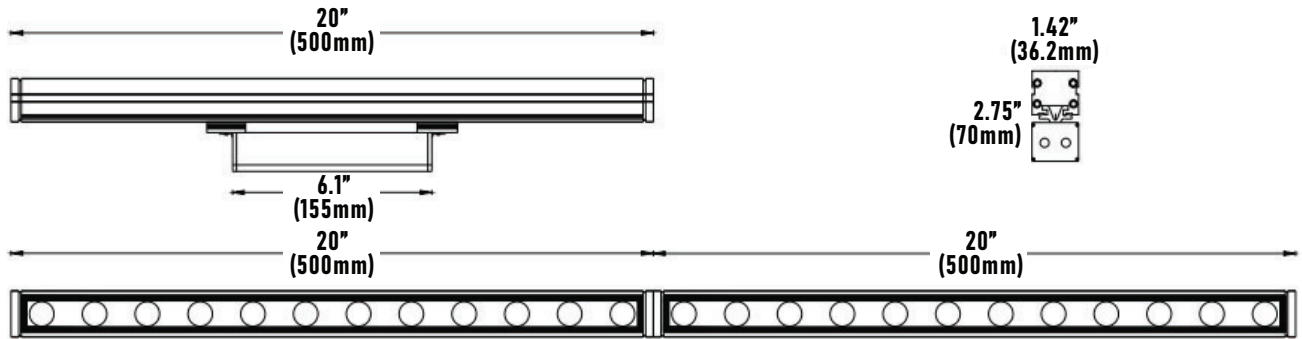
THIS FIXTURE IS NOT COMPATIBLE WITH PSDH AND PSDM SERIES DRIVERS. DIMMING IS ONLY AVAILABLE WITH 0-10 DRIVERS

LWWSLRGBW

High-Output Mini RGB/RGBW LED Wall Washer



DIMENSIONS

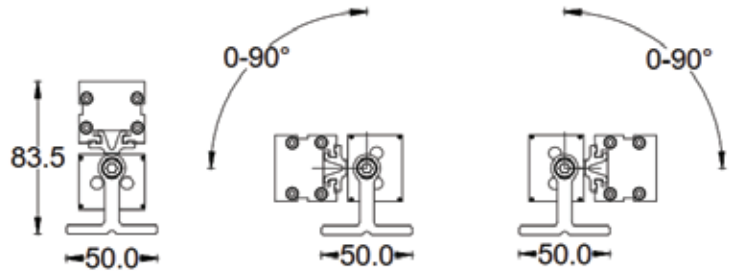


LWWSLRGBW

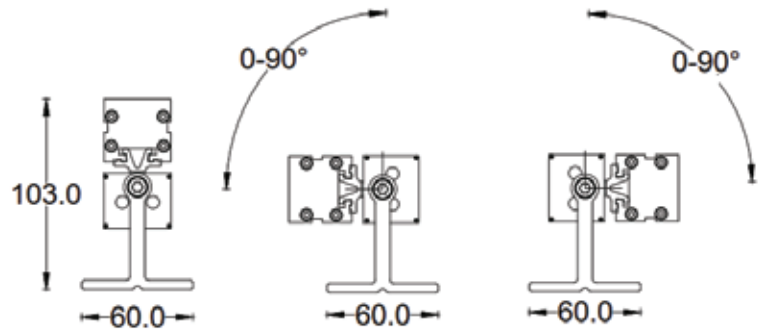
High-Output Mini RGB/RGBW LED Wall Washer

ACCESSORIES

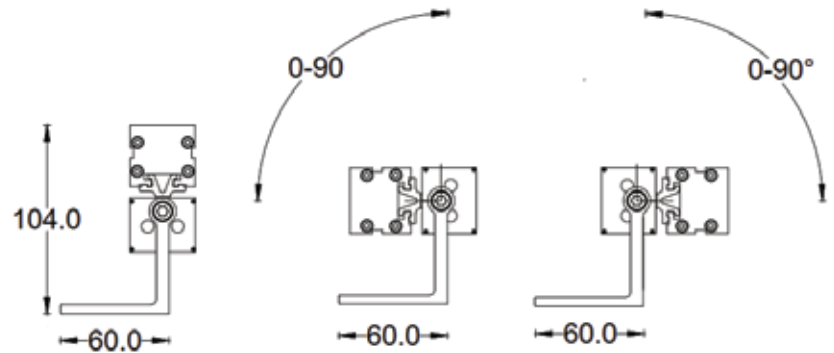
LWW-STB
Standard Tilting Bracket
(included)



LWW-ETB
Extended Tilting Bracket
(optional)



LWW-LTB
L-Shaped Bracket
(optional)



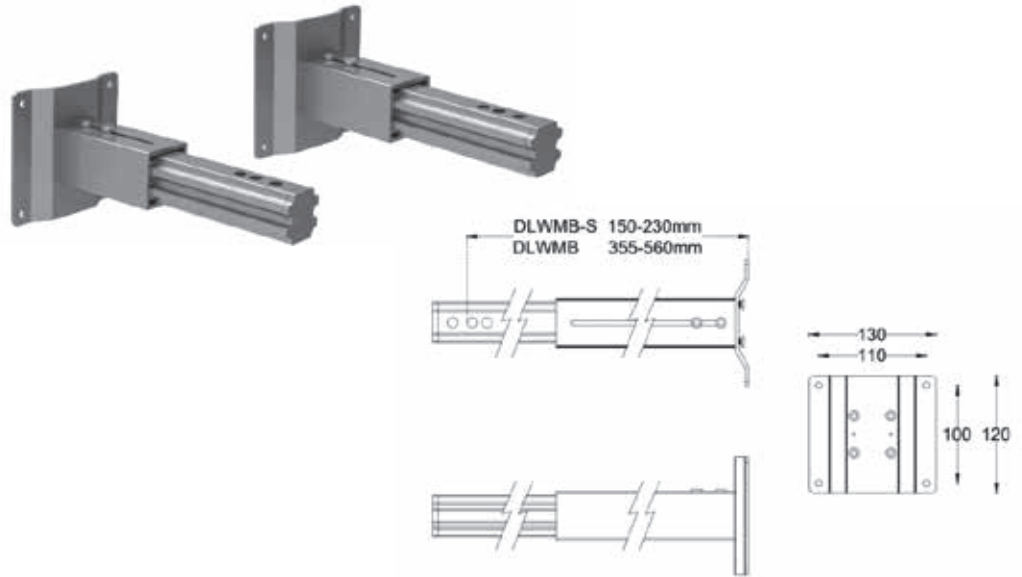
LWWSLRGBW

High-Output Mini RGB/RGBW LED Wall Washer

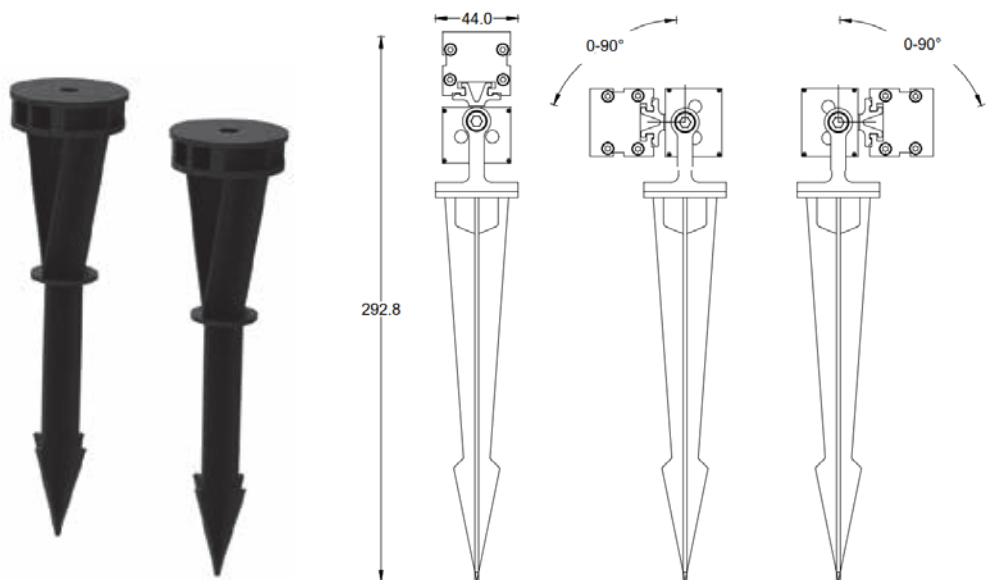


ACCESSORIES

LWW-WMA
Extended Mounting Arms
(sold separately)



LWW-STK
Ground Spike
(sold separately)

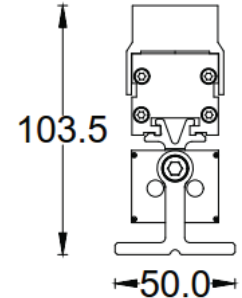
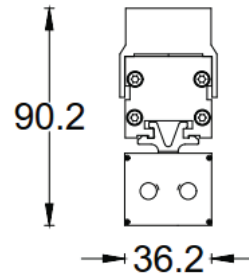
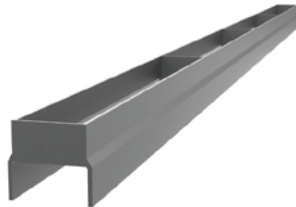


LWWSLRGBW

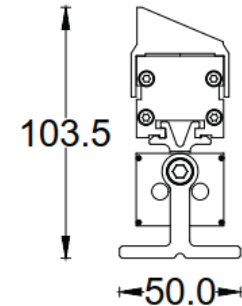
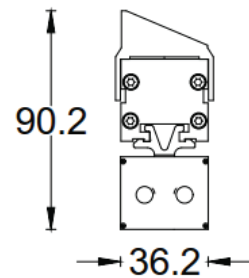
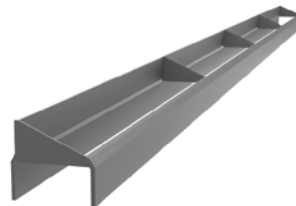
High-Output Mini RGB/RGBW LED Wall Washer

ACCESSORIES

LWW-SL-20-RGBW-SDLV
LWW-SL-40-RGBW-SDLV
20", 40" Symmetric Louver
(sold separately)



LWW-SL-20-RGBW-ADLV
LWW-SL-40-RGBW-ADLV
20", 40" Asymmetric Louver
(sold separately)



LWW-SL-RGBW-LNK-10
LWW-SL-RGBW-LNK-36
LWW-SL-RGBW-LNK-72
10", 36", 72"
Link Extension Cable
(sold separately)



LWW-SL-RGBW-HWC-72-BK
72" Hardwire Cable
(sold separately)



LWWSLRGBW

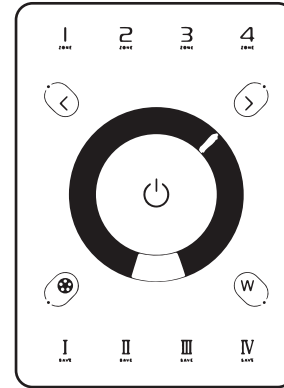
High-Output Mini RGB/RGBW LED Wall Washer



COMPATIBLE WALL CONTROLLERS

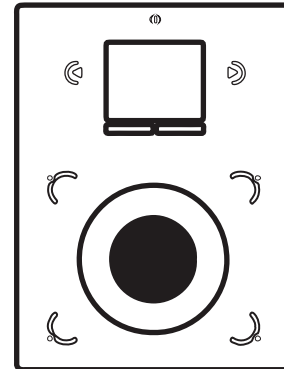
RGB CT600 MULTI-FUNCTION RGBW WALL CONTROLLER

INPUT VOLTAGE	5V DC, 1A
OUTPUT SIGNAL	RF 2.4GHz + DMX512
CONTROL	4 ZONES
WORKING TEMP	-20°C ~ 40°C
DIMENSIONS	LxWxH (5.19"x 7.08"x 1.38")



RGB-SDE3 MULTI-FUNCTION RGBW WALL CONTROLLER

INPUT POWER	6V DC 0.6A
OUTPUT SIGNAL	DMX512 (x2)
PROGRAMMABILITY	PC, MAC, Tablet, Smartphone
AVAILABLE COLORS	Black / White
CONNECTIONS	USB, Ethernet, RS232, Clock, 8dry contact ports, 5V output relay
MEMORY	microSD card
WORKING TEMP	-10°C ~ 45°C
WEIGHT (gross)	247g
DIMENSIONS	LxWxH (5.75"x 4.17"x 0.43")



LWWSLRGBW

High-Output Mini RGB/RGBW LED Wall Washer

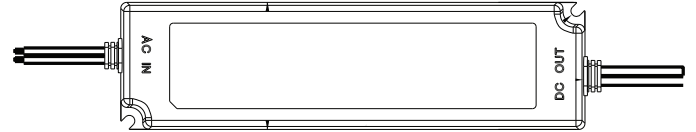


COMPATIBLE NON-DIMMING DRIVERS

PSHW SERIES

NON-DIMMING CONSTANT VOLTAGE

PSHW-10W-24V	CLASS 2	2.55" X 1.37" X .90"
PSHW-20W-24V	CLASS 2	4.64" X 1.38" X 1.2"
PSHW-35W-24V	CLASS 2	5.83" X 1.57" X 1.18"
PSHW-60W-24V	CLASS 2	6.38" X 1.65" X 1.18"
PSHW-100W-24V		7.44" X 2.4" X 1.45"
PSHW-150W-24V		8.75" X 2.68" X 1.53"
PSHW-200W-24V		9.62" X 2.68" X 1.53"
PSHW-300W-24V		9.92" X 3.55" X 1.75"



PSHK SERIES

NON-DIMMING CONSTANT VOLTAGE WITH JUNCTION BOX

PSHK-30W-24V-UNV	CLASS 2	6.5" X 3.6" X 1.02"
PSHK-60W-24V-UNV	CLASS 2	7.4" X 3.62" X 1.02"
PSHK-96W-24V-UNV	CLASS 2	8.66" X 3.66" X 1.61"
PSHK-150W-24V-UNV		10.24" X 4.06" X 1.81"
PSHK-200W-24V-UNV		10.24" X 4.06" X 1.81"
PSHK-300W-24V-UNV		10.94" X 4.25" X 1.81"

