

# LNE-50-RGBW

## 5.3W Color Changing+ White Flexible LED Neon Series



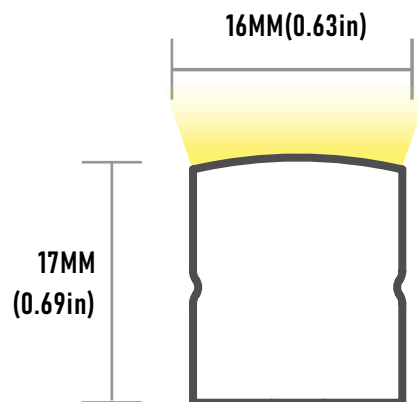
The LNE50 Series is a high performance flexible and affordable LED fixture designed as a neon replacement useful in a wide variety of indoor or outdoor applications where a smooth surface and continuous line of light is desired. It is a flexible strip light that can bend around contours or tight curves horizontally or vertically without being damaged.

### FEATURES

- High color consistency and smooth illumination
- RGB color changing + white
- Continuous run length up to 16 Ft.
- Cuttable every 3.2" (83mm)
- Bottom, side and end feed options

### SPECIFICATIONS

<b>INPUT VOLTAGE</b>	24V DC Constant Voltage
<b>POWER CONSUMPTION</b>	5.3W per Ft.
<b>LUMEN OUTPUT</b>	149 Lumens per Ft.
<b>BEAM ANGLE</b>	120°
<b>CRI</b>	90+
<b>DIMMING</b>	thru DMX controller
<b>MAXIMUM RUN LENGTH</b>	16 Ft.
<b>MINIMUM CUTTING LENGTH</b>	Every 3.2" (83mm)
<b>IP RATING</b>	IP67 / IP68
<b>LUMEN MAINTENANCE</b>	50,000 Hours
<b>LED CHIP</b>	NICHIA
<b>OPERATING TEMPERATURE</b>	-4°F ~113°F (-20°C ~ 45°C)
<b>STORAGE TEMPERATURE</b>	-40°F ~176°F (-40°C ~ 80°C)
<b>HUMIDITY</b>	0-95% Non Condensing
<b>CERTIFICATIONS</b>	UL Listed / UL-676 (IP68)
<b>DIMENSIONS</b>	Width x Depth: 0.63" x 0.67"



Warranty valid with Core Lighting Dedicated Power Supplies

# LNE-50-RGBW

## 5.3W Color Changing+ White Flexible LED Neon Series



### STANDARD ORDERING GUIDE



Model	Light Surface	Color Temp	Voltage	Power Feed	Power Feed Length
LNE-50-RGBW	TP Top Bend	RGBW27K RGB+2700K	24V 24V DC	IP67BF Bottom Feed	HW3 3 Ft. Power Feed
		RGBW30K RGB+3000K		IP67SFL Side Feed Left	HW10 10 Ft. Power Feed
	SB Side Bend	RGBW40K RGB+4000K		IP67SFR Side Feed Right	HW15 15 Ft. Power Feed
				IP67EF End Feed	HW30 30 Ft. Power Feed
				IP68BF Bottom Feed	HW50 50 Ft. Power Feed
				IP68SFL Side Feed Left	
				IP68SFR Side Feed Right	
				IP68EF End Feed	

# LNE-50-RGBW

5.3W Color Changing+ White Flexible LED Neon Series

**CORE**  
ARCHITECTURAL  
LIGHTING

## ACCESSORIES

**SELF LOCKING  
ALUMINUM PROFILE**

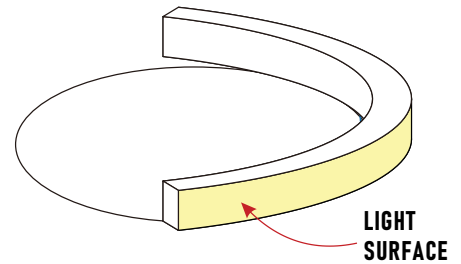
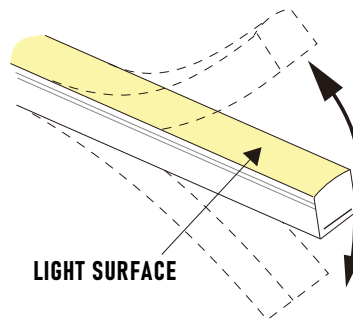
**LNE-AC2**  
2" Profile

**LNTE-AC39**  
39" Profile

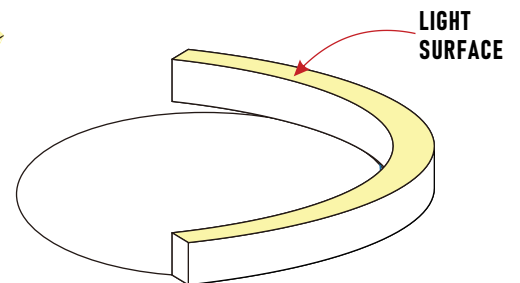
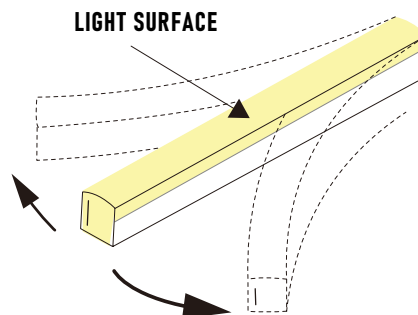


## BEND RADIUS

**TP**  
(top bend)



**SB**  
(SIDE BEND)



# LNE-50-RGBW

## 5.3W Color Changing+ White Flexible LED Neon Series



### COMPATIBLE WALL CONTROLLERS

#### RGB CT600

MULTI-FUNCTION RGBW WALL CONTROLLER

**INPUT VOLTAGE**

5V DC, 1A

**OUTPUT SIGNAL**

RF 2.4GHz + DMX512

**CONTROL**

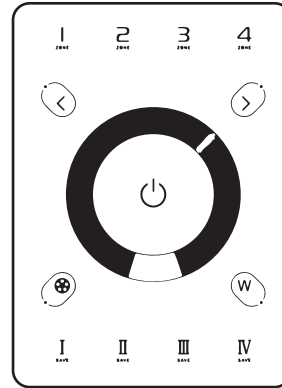
4 ZONES

**WORKING TEMP**

-20°C ~ 40°C

**DIMENSIONS**

LxWxH (5.19"x 7.08"x 1.38")



#### RGB-SDE3

MULTI-FUNCTION RGBW WALL CONTROLLER

**INPUT POWER**

6V DC 0.6A

**OUTPUT SIGNAL**

DMX512 (x2)

**PROGRAMMABILITY**

PC, MAC,  
Tablet, Smartphone

**AVAILABLE COLORS**

Black / White

**CONNECTIONS**

USB, Ethernet, RS232,  
Clock, 8dry contact ports,  
5V output relay

**MEMORY**

microSD card

**WORKING TEMP**

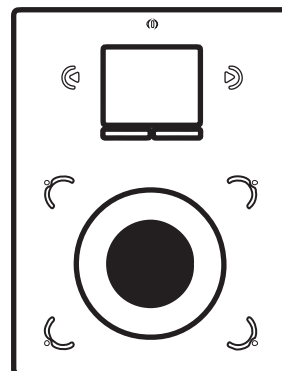
-10°C ~ 45°C

**WEIGHT (gross)**

247g

**DIMENSIONS**

LxWxH (5.75"x 4.17"x 0.43")



# LNE-50-RGBW

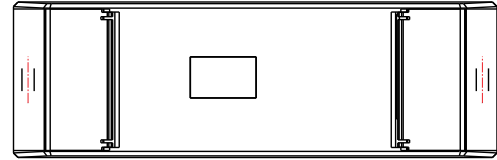
5.3W Color Changing+ White Flexible LED Neon Series

**CORE**  
ARCHITECTURAL  
LIGHTING

## COMPATIBLE DMX RECEIVERS

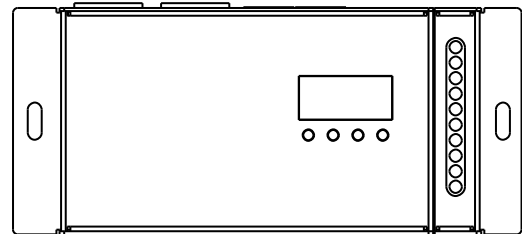
### RGB-DMX-4C-RJ45 4-CHANNEL DMX DECODER

**INPUT** 12V - 24V DC  
**OUTPUT CURRENT** 8A X 4CH  
**OUTPUT POWER** 240W(12V), 720W (24V)  
**OUTPUT CHANNELS** 3 or 4 selectable  
**DIMENSIONS** LxWxH (7"x 1.77"x 0.75")



### RGB-DMX-5C-XLR 5-CHANNEL DMX DECODER

**INPUT** 12V-24V-36V DC  
**OUTPUT VOLTAGE** 12V-24V DC  
**OUTPUT CURRENT** 8A X 5CH  
**OUTPUT WATTAGE** 5 x (96W ~ 192W)  
**DIMENSIONS** LxWxH (6.45"x 2.87"x 1.5")



# LNE-50-RGBW

5.3W Color Changing+ White Flexible LED Neon Series

**CORE**  
ARCHITECTURAL  
LIGHTING

## COMPATIBLE NON-DIMMING DRIVERS

### PSHK SERIES

NON-DIMMING CONSTANT VOLTAGE WITH JUNCTION BOX

<b>PSHK-30W-24V-UNV</b>	CLASS 2	6.5" X 3.6" X 1.02"
<b>PSHK-60W-24V-UNV</b>	CLASS 2	7.4" X 3.62" X 1.02"
<b>PSHK-96W-24V-UNV</b>	CLASS 2	8.66" X 3.66" X 1.61"
<b>PSHK-150W-24V-UNV</b>		10.24" X 4.06" X 1.81"
<b>PSHK-200W-24V-UNV</b>		10.24" X 4.06" X 1.81"
<b>PSHK-300W-24V-UNV</b>		10.94" X 4.25" X 1.81"

