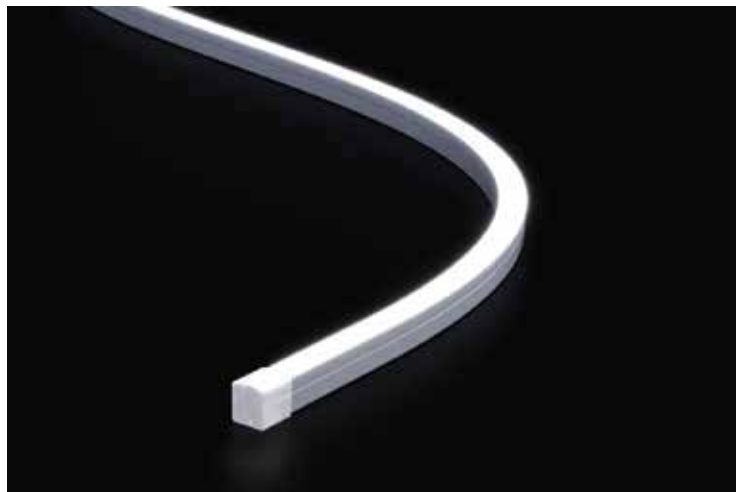


LNE-50-RGB

5.3W Color Changing Flexible LED Neon Series



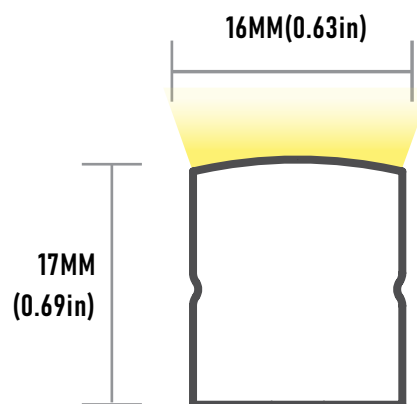
The LNE50 Series is a high performance flexible and affordable LED fixture designed as a neon replacement useful in a wide variety of indoor or outdoor applications where a smooth surface and continuous line of light is desired. It is a flexible strip light that can bend around contours or tight curves horizontally or vertically without being damaged.

FEATURES

- High color consistency and smooth illumination
- RGB color changing
- Continuous run length up to 16 Ft.
- Cuttable every 3.2" (83mm)
- Bottom, side and end feed options

SPECIFICATIONS

INPUT VOLTAGE	24V DC Constant Voltage
POWER CONSUMPTION	5.3W per Ft.
LUMEN OUTPUT	99 Lumens per Ft.
BEAM ANGLE	120°
CRI	90+
DIMMING	thru DMX controller
MAXIMUM RUN LENGTH	16 Ft.
MINIMUM CUTTING LENGTH	Every 3.2" (83mm)
IP RATING	IP67 / IP68
LUMEN MAINTENANCE	50,000 Hours
LED CHIP	NICHIA
OPERATING TEMPERATURE	-4°F ~113°F (-20°C ~ 45°C)
STORAGE TEMPERATURE	-40°F ~176°F (-40°C ~ 80°C)
HUMIDITY	0-95% Non Condensing
CERTIFICATIONS	UL Listed / UL-676 (IP68)
DIMENSIONS	Width x Depth: 0.63" x 0.67"



Warranty valid with Core Lighting Dedicated Power Supplies

LNE-50-RGB

5.3W Color Changing Flexible LED Neon Series



STANDARD ORDERING GUIDE



Model	Light Surface	Color Temp	Voltage	Power Feed	Power Feed Length
LNE-50-RGB	TP Top Bend	RGB27K RGB+2700K	24V 24V DC	IP67BF Bottom Feed	HW3 3 Ft. Power Feed
		SB Side Bend		RGB30K RGB+3000K	IP67SFL Side Feed Left
	RGB40K RGB+4000K			IP67SFR Side Feed Right	HW15 15 Ft. Power Feed
				IP67EF End Feed	HW30 30 Ft. Power Feed
				IP68BF Bottom Feed	HW50 50 Ft. Power Feed
				IP68SFL Side Feed Left	
				IP68SFR Side Feed Right	
				IP68EF End Feed	

LNE-50-RGB

5.3W Color Changing Flexible LED Neon Series

ACCESSORIES

SELF LOCKING ALUMINUM PROFILE

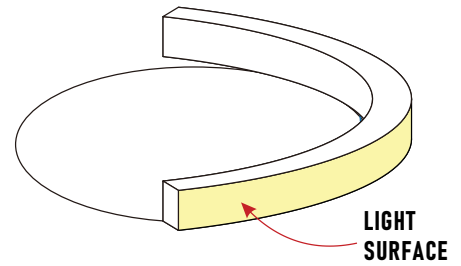
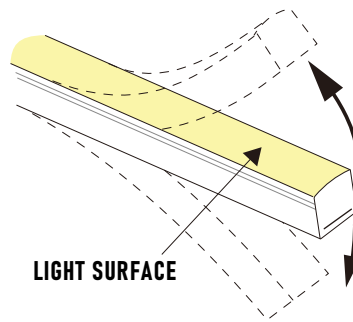
LNE-AC2
2" Profile

LNTE-AC39
39" Profile

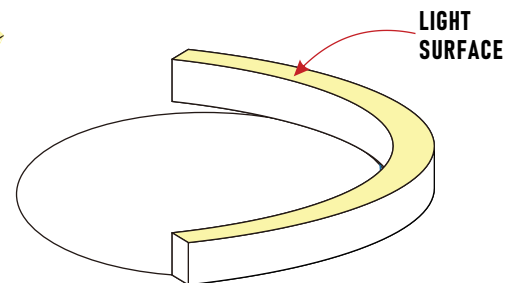
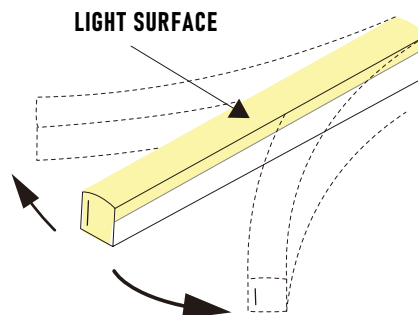


BEND RADIUS

TP
(top bend)



SB
(SIDE BEND)



LNE-50-RGB

5.3W Color Changing Flexible LED Neon Series

COMPATIBLE WALL CONTROLLERS

RGB CT600

MULTI-FUNCTION RGBW WALL CONTROLLER

INPUT VOLTAGE

5V DC, 1A

OUTPUT SIGNAL

RF 2.4GHz + DMX512

CONTROL

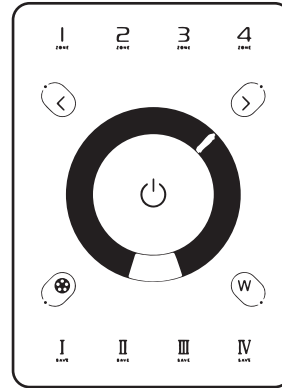
4 ZONES

WORKING TEMP

-20°C ~ 40°C

DIMENSIONS

LxWxH (5.19"x 7.08"x 1.38")



RGB-SDE3

MULTI-FUNCTION RGBW WALL CONTROLLER

INPUT POWER

6V DC 0.6A

OUTPUT SIGNAL

DMX512 (x2)

PROGRAMMABILITY

PC, MAC,
Tablet, Smartphone

AVAILABLE COLORS

Black / White

CONNECTIONS

USB, Ethernet, RS232,
Clock, 8dry contact ports,
5V output relay

MEMORY

microSD card

WORKING TEMP

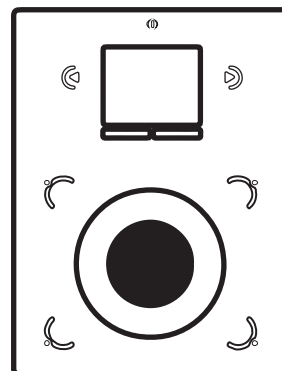
-10°C ~ 45°C

WEIGHT (gross)

247g

DIMENSIONS

LxWxH (5.75"x 4.17"x 0.43")



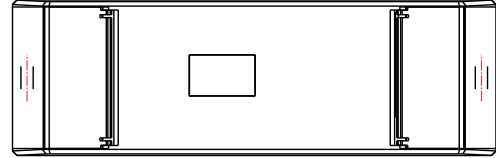
LNE-50-RGB

5.3W Color Changing Flexible LED Neon Series

COMPATIBLE DMX RECEIVERS

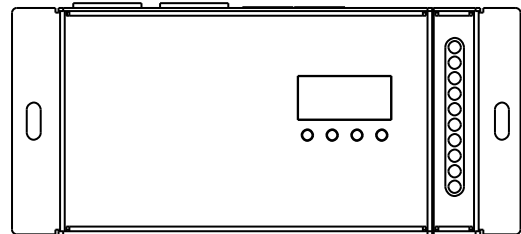
RGB-DMX-4C-RJ45
4-CHANNEL DMX DECODER

INPUT	12V - 24V DC
OUTPUT CURRENT	8A X 4CH
OUTPUT POWER	240W(12V), 720W (24V)
OUTPUT CHANNELS	3 or 4 selectable
DIMENSIONS	LxWxH (7"x 1.77"x 0.75")



RGB-DMX-5C-XLR
5-CHANNEL DMX DECODER

INPUT	12V-24V-36V DC
OUTPUT VOLTAGE	12V-24V DC
OUTPUT CURRENT	8A X 5CH
OUTPUT WATTAGE	5 x (96W ~ 192W)
DIMENSIONS	LxWxH (6.45"x 2.87"x 1.5")



LNE-50-RGB

5.3W Color Changing Flexible LED Neon Series

COMPATIBLE NON-DIMMING DRIVERS

PSHK SERIES

NON-DIMMING CONSTANT VOLTAGE WITH JUNCTION BOX

PSHK-30W-24V-UNV	CLASS 2	6.5" X 3.6" X 1.02"
PSHK-60W-24V-UNV	CLASS 2	7.4" X 3.62" X 1.02"
PSHK-96W-24V-UNV	CLASS 2	8.66" X 3.66" X 1.61"
PSHK-150W-24V-UNV		10.24" X 4.06" X 1.81"
PSHK-200W-24V-UNV		10.24" X 4.06" X 1.81"
PSHK-300W-24V-UNV		10.94" X 4.25" X 1.81"

