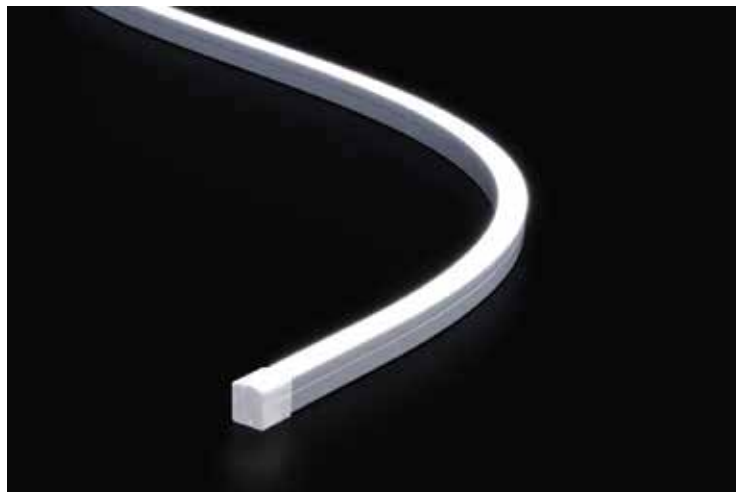


LNE-50-MX

4.4W Color-Tuning CCT Flexible LED Neon Series



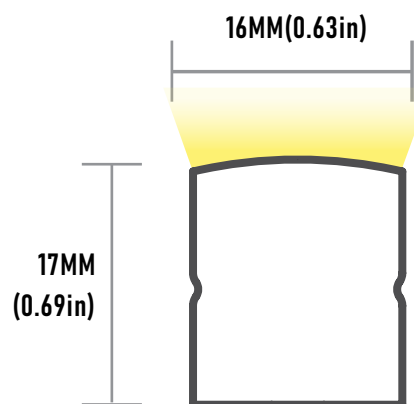
The LNE50-MX Series is a high performance flexible and affordable LED fixture designed as a neon replacement useful in a wide variety of indoor or outdoor applications where a smooth surface and continuous line of light is desired. It features combined color temperatures in one LED strip ranging from warm 22K to cool 50K.

FEATURES

- High color consistency and smooth illumination
- Multiple CCT LED
- Continuous run length up to 32 Ft.
- Cuttable every 2.0" (50mm)
- Bottom, side and end feed options

SPECIFICATIONS

INPUT VOLTAGE	24V DC Constant Voltage
POWER CONSUMPTION	4.4W per Ft.
LUMEN OUTPUT	300 Lumens per Ft.
BEAM ANGLE	120°
CRI	90+
DIMMING	DMX
MAXIMUM RUN LENGTH	32 Ft.
MINIMUM CUTTING LENGTH	Every 2.0" (50mm)
IP RATING	IP67 / IP68
LUMEN MAINTENANCE	50,000 Hours
LED CHIP	NICHIA
OPERATING TEMPERATURE	-4°F ~113°F (-20°C ~ 45°C)
STORAGE TEMPERATURE	-40°F ~176°F (-40°C ~ 80°C)
HUMIDITY	0-95% Non Condensing
CERTIFICATIONS	UL Listed / UL-676 (IP68)
DIMENSIONS	Width x Depth: 0.63" x 0.67"



Warranty valid with Core Lighting Dedicated Power Supplies

LNE-50-MX

4.4W Color-Tuning CCT Flexible LED Neon Series



STANDARD ORDERING GUIDE



Model	Light Surface	Color Temp A	Color Temp B	Voltage	Power Feed	Power Feed Length
LNE-50-MX	TP Top Bend	18K 1800K	18K 1800K	24V 24V DC	IP67BF Bottom Feed	HW3 3 Ft. Power Feed
		SB Side Bend	22K 2200K		22K 2200K	IP67SFL Side Feed Left
	25K 2500K		25K 2500K		IP67SFR Side Feed Right	HW15 15 Ft. Power Feed
	27K 2700K		27K 2700K		IP67EF End Feed	HW30 30 Ft. Power Feed
	30K 3000K		30K 3000K			HW50 50 Ft. Power Feed
	35K 3500K		35K 3500K		IP68BF Bottom Feed	
	42K 4200K		42K 4200K		IP68SFL Side Feed Left	
	50K 5000K		50K 5000K		IP68SFR Side Feed Right	
	60K 6000K		60K 6000K		IP68EF End Feed	

LNE-50-MX

4.4W Color-Tuning CCT Flexible LED Neon Series

ACCESSORIES

**SELF LOCKING
ALUMINUM PROFILE**

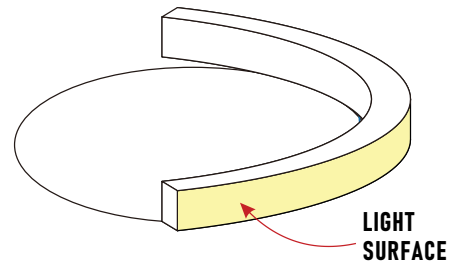
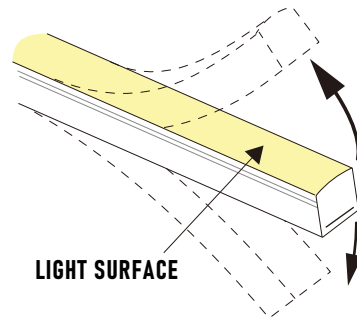
LNE-AC2
2" Profile

LNTE-AC39
39" Profile

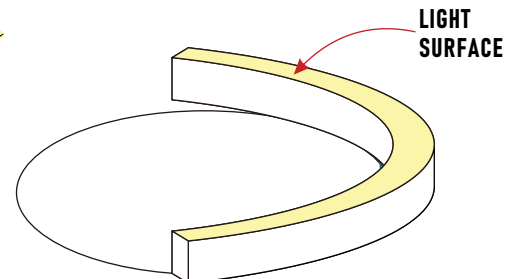
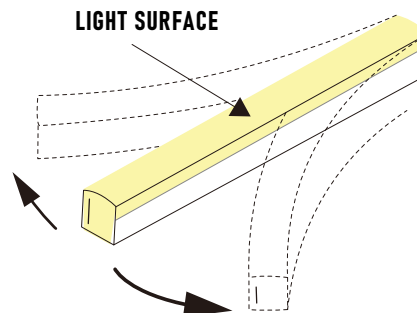


BEND RADIUS

TP
(top bend)



SB
(SIDE BEND)



LNE-50-MX

4.4W Color-Tuning CCT Flexible LED Neon Series

COMPATIBLE NON-DIMMING DRIVERS

PSHK SERIES

NON-DIMMING CONSTANT VOLTAGE WITH JUNCTION BOX

PSHK-30W-24V-UNV	CLASS 2	6.5" X 3.6" X 1.02"
PSHK-60W-24V-UNV	CLASS 2	7.4" X 3.62" X 1.02"
PSHK-96W-24V-UNV	CLASS 2	8.66" X 3.66" X 1.61"
PSHK-150W-24V-UNV		10.24" X 4.06" X 1.81"
PSHK-200W-24V-UNV		10.24" X 4.06" X 1.81"
PSHK-300W-24V-UNV		10.94" X 4.25" X 1.81"

