

# LNT-45

4.4W IP67/IP68 Flexible Neon Series LED Strip

JOB NAME: \_\_\_\_\_  
LOCATION: \_\_\_\_\_  
QUOTE/REF#: \_\_\_\_\_



**LNT45** is a high performance flexible LED fixture designed as a neon replacement. Suitable for indoor and outdoor applications, the **LNT45** easily bends around contours and tight curves without being damaged. It allows for easy installation with its factory sealed terminators and self-locking male and female barrel connectors.

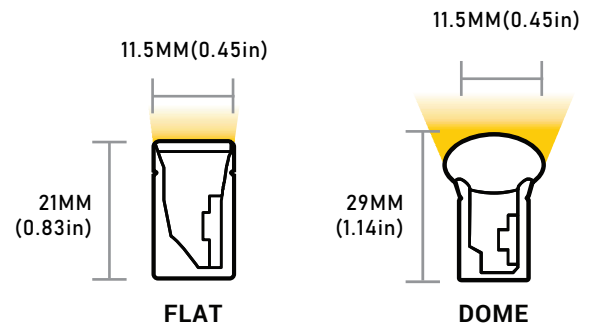
### FEATURES

- High color consistency
- Smooth illumination
- 32 Ft. maximum run length
- Available in IP67 & IP68
- Waterproof, submersible under water
- Bottom, side and end feed options
- UL listed

### SPECIFICATIONS

<b>INPUT VOLTAGE</b>	24V DC Constant Voltage
<b>POWER CONSUMPTION</b>	4.4W per Ft.
<b>LUMEN OUTPUT</b>	(Flat) 140 Lumens/Ft. (Dome) 115 Lumens/Ft.
<b>BEAM ANGLE</b>	(Flat) 160° (Dome) 120°
<b>CRI</b>	88+
<b>DIMMING</b>	MLV, ELV, 0-10V & TRIAC
<b>MAXIMUM RUN LENGTH</b>	32 Ft.
<b>IP RATING</b>	IP67, IP68
<b>LUMEN MAINTENANCE</b>	50,000 Hours
<b>POWER FACTOR</b>	≤ 1
<b>OPERATING TEMPERATURE</b>	-40°F ~ 131°F (-40°C ~ 55°C)
<b>STORAGE TEMPERATURE</b>	-40°F ~ 140°F (-40°C ~ 60°C)
<b>HUMIDITY</b>	0-95% Non Condensing
<b>CERTIFICATIONS</b>	UL Listed
<b>DIMENSIONS</b>	(Flat) Width x Depth: 0.45" x 0.83" (Dome) Width x Depth: 0.45" x 1.14"

	COLOR TEMP	CRI	LUMENS (FLAT)	LUMENS (DOME)
	2200K	88+	140	115
	2700K	88+	140	115
	3000K	88+	140	115
	4000K	88+	140	115
	5000K	88+	140	115
	6000K	88+	140	115



# LNT-45

4.4W IP67/IP68 Flexible Neon Series LED Strip

## STANDARD ORDERING CODE

Model	Lens	Color Temp	Voltage	Length (CODE)	POWER FEED	POWER FEED LENGTH
LNT-45	F Flat	22K 2200K	24V 24V DC	Please refer to pages 5-6 for exact lengths with corresponding ordering codes.	<b>IP67BF</b> Bottom Feed	<b>HW3</b> 3 Ft. power feed
		D Dome			27K 2700K	<b>IP67SFL</b> Side Feed Left
	30K 3000K				<b>IP67SFR</b> Side Feed Right	<b>HW16</b> 16 Ft. power feed
	40K 4000K				<b>IP67EF</b> End Feed	<b>HW32</b> 32 Ft. power feed
	50K 5000K					<b>HW50</b> 50 Ft. power feed
	60K 6000K				<b>IP68BF</b> Bottom Feed	
	<b>RD</b> Red				<b>IP68SFL</b> Side Feed Left	
	<b>PK</b> Pink				<b>IP68SFR</b> Side Feed Right	
	<b>GN</b> Green				<b>IP68EF</b> End Feed	
	<b>BL</b> Blue					
	<b>AM</b> Amber					
	<b>YW</b> Yellow					

Standard lead wire length - 36 inches

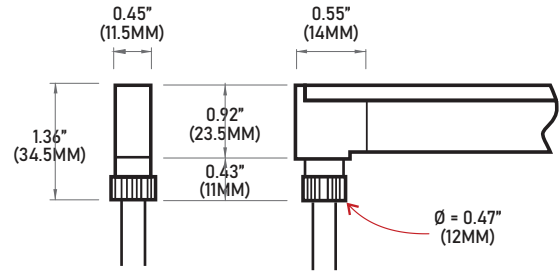
# LNT-45

4.4W IP67/IP68 Flexible Neon Series LED Strip

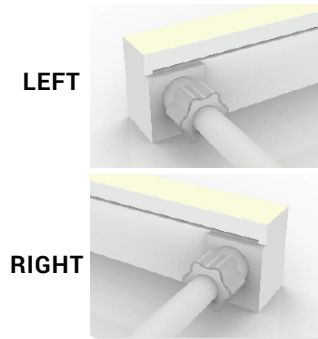
## IP67 POWER FEED OPTIONS (FLAT)

■ IP67 Rating  
■ Protected from immersion in water for short periods

**IP67BF - BOTTOM FEED**

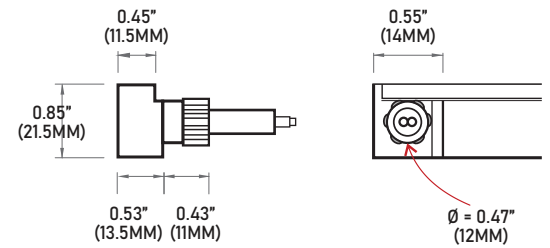


**IP67SFL - SIDE FEED LEFT**  
**IP67SFR - SIDE FEED RIGHT**

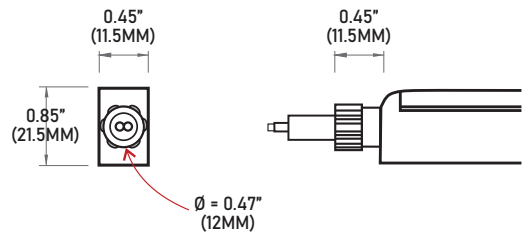
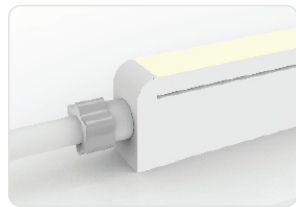


LEFT

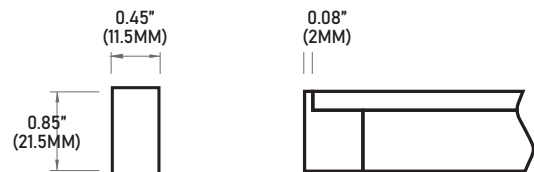
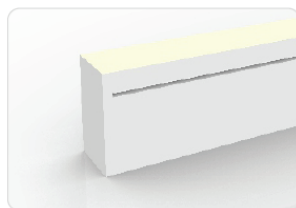
RIGHT



**IP67EF - END FEED**



**IP67EC - END CAP**

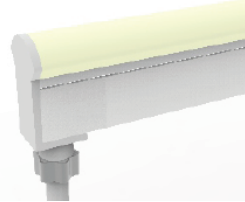
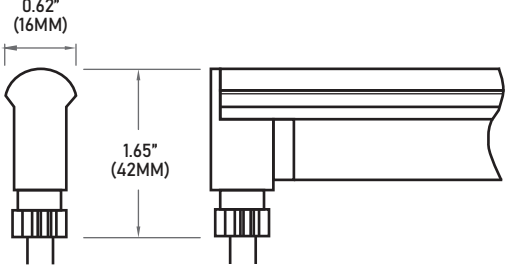
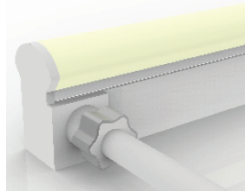
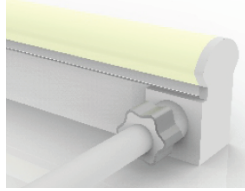
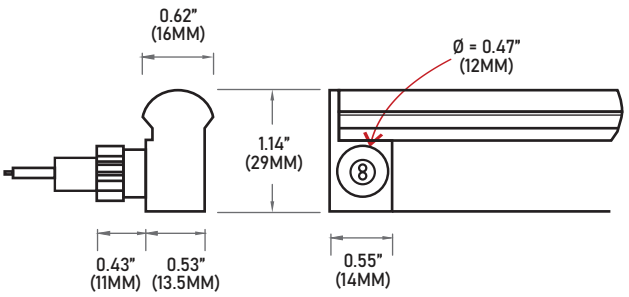
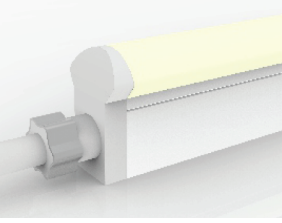
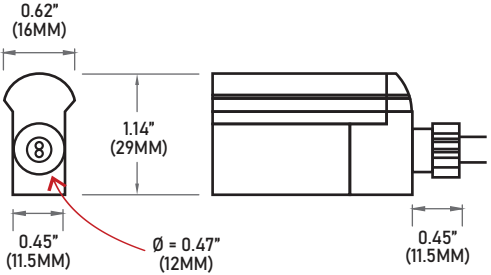
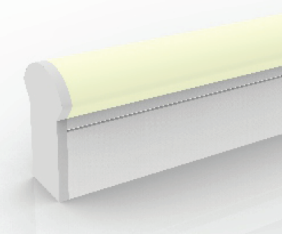
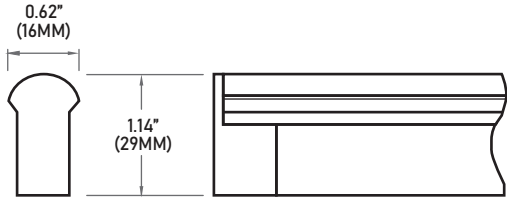


# LNT-45

4.4W IP67/IP68 Flexible Neon Series LED Strip

## IP67 POWER FEED OPTIONS (ROUND)

■ IP67 Rating  
■ Protected from immersion in water for short periods

<p><b>IP67BF</b> - BOTTOM FEED</p>		
<p><b>IP67SFL</b> - SIDE FEED LEFT <b>IP67SFR</b> - SIDE FEED RIGHT</p>	<p><b>LEFT</b></p>  <p><b>RIGHT</b></p> 	
<p><b>IP67EF</b> - END FEED</p>		
<p><b>IP67EC</b> - END CAP</p>		

# LNT-45

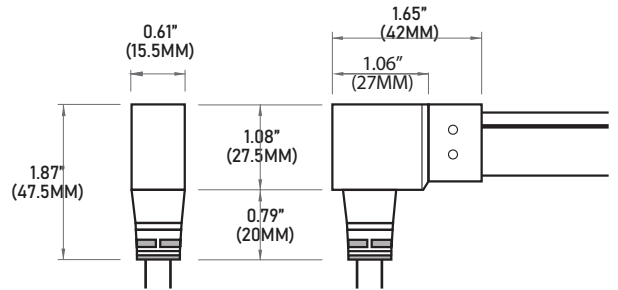
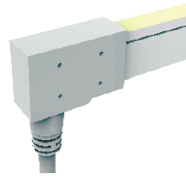
4.4W IP67/IP68 Flexible Neon Series LED Strip

■ IP68 Rating

■ Protected from immersion in water to depths of more than 1 meter.

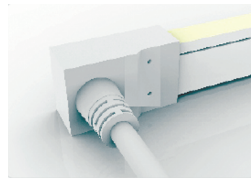
## IP68 POWER FEED OPTIONS (FLAT)

**IP68BF - BOTTOM FEED**

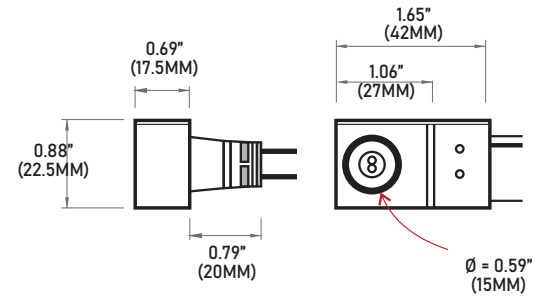
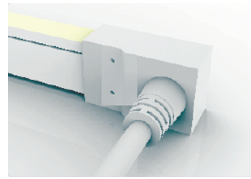


**IP68SFL - SIDE FEED LEFT**  
**IP68SFR - SIDE FEED RIGHT**

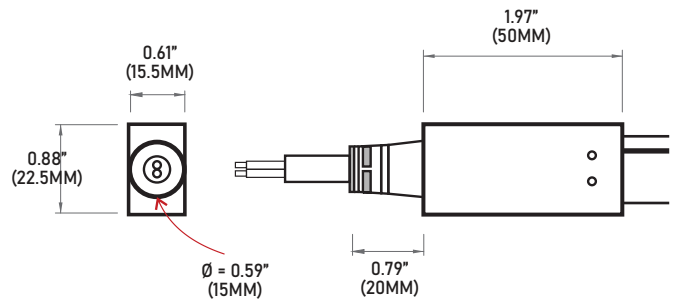
**LEFT**



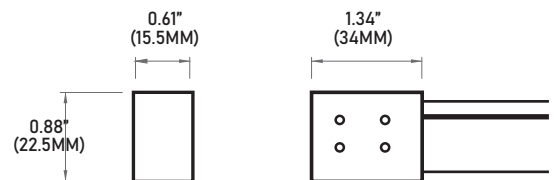
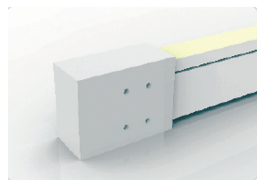
**RIGHT**



**IP68EF - END FEED**



**IP68EC - END CAP**



# LNT-45

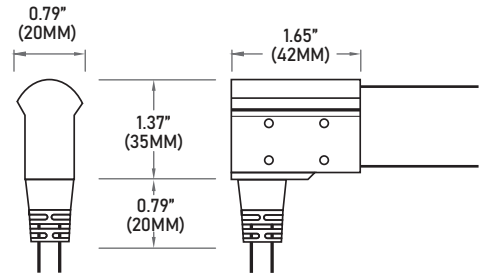
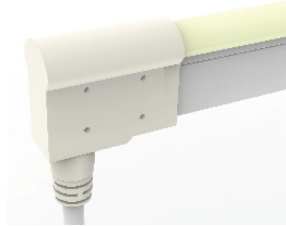
4.4W IP67/IP68 Flexible Neon Series LED Strip

■ IP68 Rating

■ Protected from immersion in water to depths of more than 1 meter.

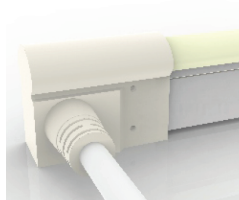
## IP68 POWER FEED OPTIONS (FLAT)

**IP68BF** - BOTTOM FEED

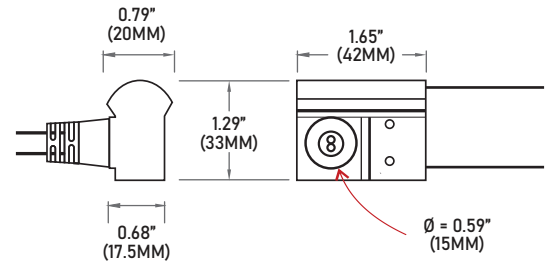
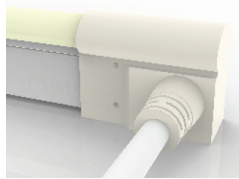


**IP68SFL** - SIDE FEED LEFT  
**IP68SFR** - SIDE FEED RIGHT

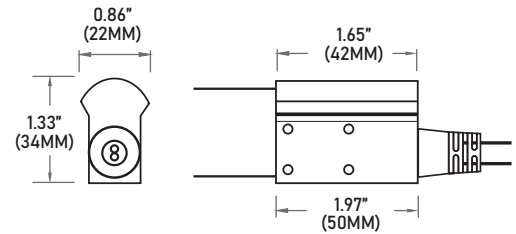
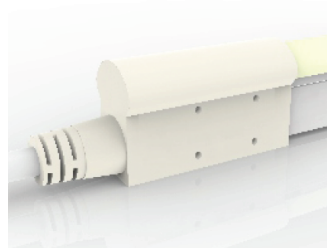
LEFT



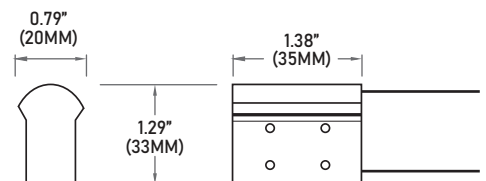
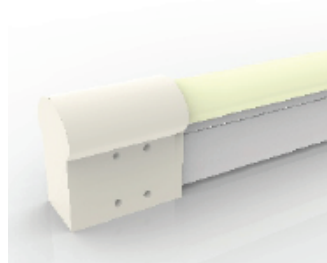
RIGHT



**IP68EF** - END FEED



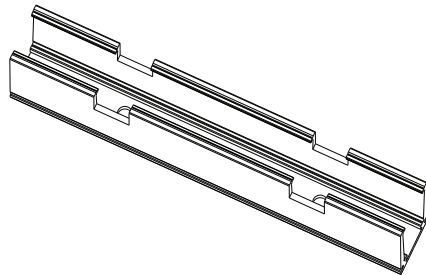
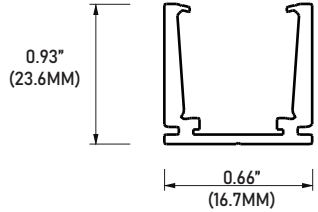
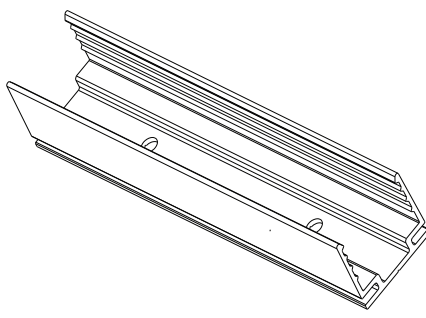
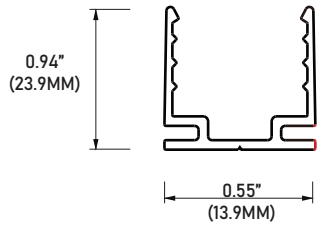
**IP68EC** - END CAP



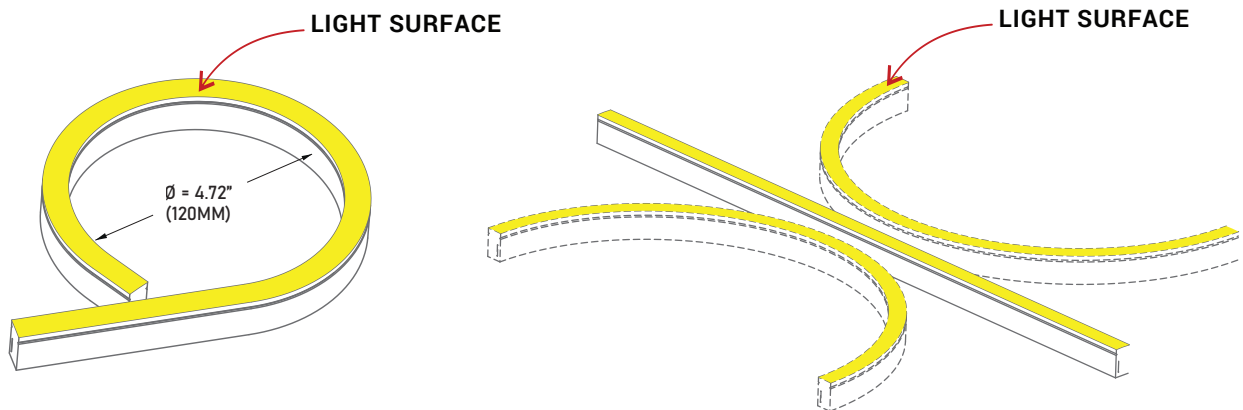
# LNT-45

4.4W IP67/IP68 Flexible Neon Series LED Strip

## ACCESSORIES

<p><b>SELF LOCKING ALUMINUM PROFILE</b></p> <p><b>LNT45-AC2</b>    2" Profile <b>LNT45-AC39</b>   39" Profile</p>	 
<p><b>PLASTIC PROFILE</b></p> <p><b>LNT45-PC39</b>   39" Profile</p>	 

## BEND RADIUS



### NOTE:

LED strip **ONLY** bends **SIDWAYS**, along horizontal axis.  
Bending the LED strip vertically (perpendicular) to the light surface risks damage to the LED strip.  
Do **NOT** bend the LED strip more than the indicated bend radius (shown above). Doing so will damage the LED strip.

# LNT-45

## 4.4W IP67/IP68 Flexible Neon Series LED Strip

LNT45 Series is cuttable every **3.94" (10CM)**. Please refer to chart below to determine actual lengths once LED is cut versus actual lengths required or specified.

Total Length Calculation = order code length + end feed option length  
example: **60.7" total length = order code 15 (59.05" + 1.65" - IP68 FLAT End Feed)**

Optional lead wire lengths available: 3Ft., 10Ft., 16Ft., 32Ft., 50Ft.

POWER FEED OPTION	FLAT		DOME	
	IP67	IP68	IP67	IP68
END FEED	0.45"	2.76"	0.45"	2.76"
BOTTOM FEED	0.55"	1.65"	0.55"	1.65"
SIDE FEED	0.55"	1.65"	0.55"	1.65"

### CUTTING LENGTH INCREMENT TABLE

CODE	LENGTH IN CM	LENGTH IN INCHES	CODE	LENGTH IN CM	LENGTH IN INCHES
1	10	3.94	34	340	133.86
2	20	7.87	35	350	137.79
3	30	11.81	36	360	141.73
4	40	15.75	37	370	145.67
5	50	19.68	38	380	149.61
6	60	23.62	39	390	153.54
7	70	27.56	40	400	157.48
8	80	31.50	41	410	161.42
9	90	35.43	42	420	165.35
10	100	39.37	43	430	169.29
11	110	43.31	44	440	173.23
12	120	47.24	45	450	177.16
13	130	51.18	46	460	181.10
14	140	55.12	47	470	185.04
15	150	59.05	48	480	188.98
16	160	63.00	49	490	192.91
17	170	66.93	50	500	196.85
18	180	70.87	51	510	200.79
19	190	74.80	52	520	204.72
20	200	78.74	53	530	208.66
21	210	82.68	54	540	212.60
22	220	86.61	55	550	216.53
23	230	90.55	56	560	220.47
24	240	94.49	57	570	224.41
25	250	98.43	58	580	228.35
26	260	102.36	59	590	232.28
27	270	106.29	60	600	236.22
28	280	110.24	61	610	240.16
29	290	114.17	62	620	244.10
30	300	118.11	63	630	248.03
31	310	122.05	64	640	251.97
32	320	125.98	65	650	255.91
33	330	129.92	66	660	259.84



# LNT-45

4.4W IP67/IP68 Flexible Neon Series LED Strip

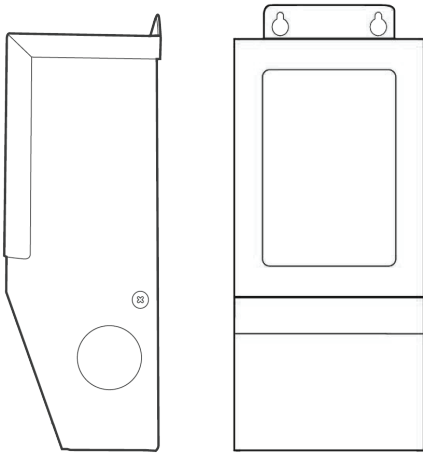
## CUTTING LENGTH INCREMENT TABLE

CODE	LENGTH IN CM	LENGTH IN INCHES
67	670	263.78
68	680	267.72
69	690	271.65
70	700	275.59
71	710	279.53
72	720	283.46
73	730	287.40
74	740	291.34
75	750	295.28
76	760	299.21
77	770	303.15
78	780	307.09
79	790	311.02
80	800	314.96
81	810	318.90
82	820	322.83
83	830	326.77
84	840	330.71
85	850	334.65
86	860	338.58
87	870	342.52
88	880	346.46
89	890	350.39
90	900	354.33
91	910	358.27
92	920	362.20
93	930	366.14
94	940	370.08
95	950	374.02
96	960	377.95
97	970	381.89
98	980	385.83
99	990	389.76
100	1000	393.70

# LNT-45

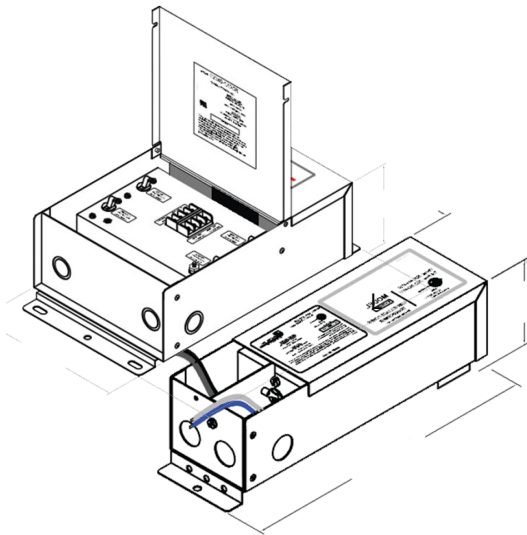
4.4W IP67/IP68 Flexible Neon Series LED Strip

## COMPATIBLE TRANSFORMERS



## PSDM SERIES DIMMABLE MAGNETIC LOW VOLTAGE (MLV)

<b>PSDM-20W-24V</b>	CLASS 2	5.6" x 2" x 2.14"
<b>PSDM-40W-24V</b>	CLASS 2	5.6" x 2" x 2.14"
<b>PSDM-60W-24V</b>	CLASS 2	6.5" x 2.3" x 2.5"
<b>PSDM-100W-24V</b>	CLASS 2	6.5" x 2.3" x 2.5"
<b>PSDM-150W-24V</b>		9.8" x 3" x 3"
<b>PSDM-192W-24V</b>	CLASS 2	7.0" x 7.0" x 3.2"
<b>PSDM-200W-24V</b>		9.8" x 3" x 3"
<b>PSDM-288W-24V</b>	CLASS 2	9.8" x 4.2" x 3.5"
<b>PSDM-300W-24V</b>		7.0" x 7.0" x 3.2"



## PSDH SERIES HIGH PERFORMANCE MLV

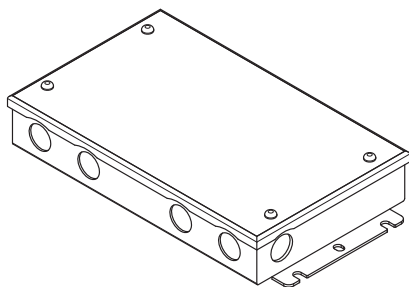
<b>PSDH-48W-24V</b>	CLASS 2	11.25" x 3.37" x 3.25"
<b>PSDH-96W-24V</b>	CLASS 2	11.25" x 3.37" x 3.25"
<b>PSDH-288W-24V</b>	CLASS 2	14.25" x 8.43" x 4.43"

\* 277 VERSIONS AVAILABLE, PLEASE CONSULT FACTORY

# LNT-45

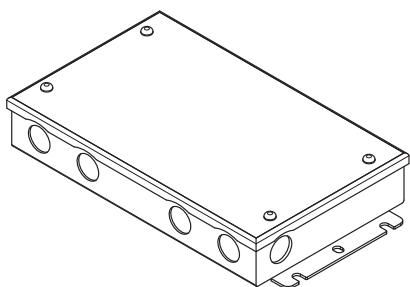
4.4W IP67/IP68 Flexible Neon Series LED Strip

## COMPATIBLE TRANSFORMERS



### PSDL SERIES TRIAC DIMMABLE

<b>PSDL-30W-24V</b>	CLASS 2	6.5" x 3.63" x 1.03"
<b>PSDL-60W-24V</b>	CLASS 2	7.4" x 3.63" x 1.03"
<b>PSDL-96W-24V</b>	CLASS 2	8.67" x 3.67" x 1.62"
<b>PSDL-150W-24V</b>		8.67" x 3.67" x 1.62"
<b>PSDL-192W-24V</b>	CLASS 2	10.25" x 4.06" x 1.82"
<b>PSDL-200W-24V</b>		10.25" x 4.06" x 1.82"
<b>PSDL-288W-24V</b>	CLASS 2	10.25" x 4.06" x 1.82"
<b>PSDL-300W-24V</b>		10.25" x 4.06" x 1.82"



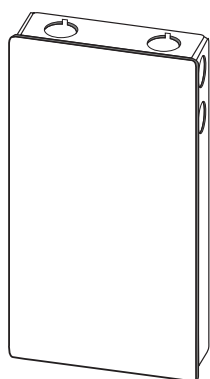
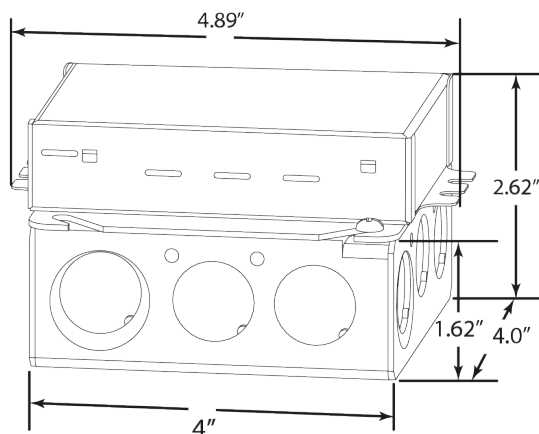
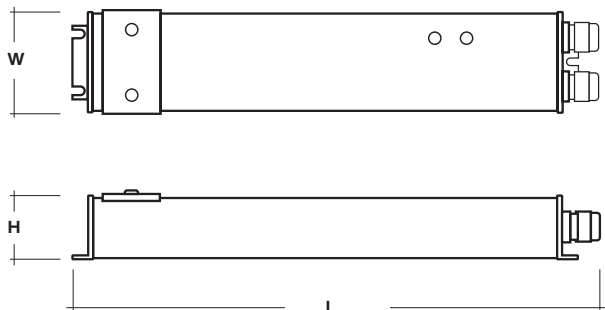
### PSHK SERIES NON-DIMMING WITH JUNCTION BOX

<b>PSHK-30W-24V-UNV</b>	CLASS 2	6.5" X 3.6" X 1.02"
<b>PSHK-60W-24V-UNV</b>	CLASS 2	7.4" X 3.62" X 1.02"
<b>PSHK-96W-24V-UNV</b>	CLASS 2	8.66" X 3.66" X 1.61"
<b>PSHK-150W-24V-UNV</b>		10.24" X 4.06" X 1.81"
<b>PSHK-200W-24V-UNV</b>		10.24" X 4.06" X 1.81"
<b>PSHK-300W-24V-UNV</b>		10.94" X 4.25" X 1.81"

# LNT-45

4.4W IP67/IP68 Flexible Neon Series LED Strip

## COMPATIBLE TRANSFORMERS



### PSDE SERIES 0-10V DIMMING WITH JUNCTION BOX

<b>PSDE-60W-24V-010-JB</b>	CLASS 2	12.1" x 2.36" x 1.4"
<b>PSDE-96W-24V-010-JB</b>	CLASS 2	12.1" x 2.36" x 1.4"
<b>PSDE-180W-24V-010</b>	CLASS 2	9.6" x 2.79" x 1.47"

### LUTRON 1% DIMMING

<b>LTEA4U1UKL-CV240 (2-WIRE)</b>	CLASS 2	4.0" X 1.5" X 4.0"
<b>L3DA4U1UKL-CV240 (3-WIRE)</b>	CLASS 2	4.0" X 1.5" X 4.0"

### LUTRON 1%

<b>PSDE-96W-24V-ECO</b>	CLASS 2	10.5" x 3.0" x 2.0"
-------------------------	---------	---------------------