

ALP70R

Recessed Mount LED Profile

JOB NAME: _____
LOCATION: _____
QUOTE/REF#: _____



The **ALP70R** is an architectural-grade LED extrusion designed for recessed applications and compatible with linear LED strips up to 15mm (0.59") wide. Made from high quality aluminum, these extrusions provide superior thermal management for LED strips and prolong the lighting system's lifespan. Manufactured with a patented frosted diffuser for maximum lumen output and wider beam distribution.

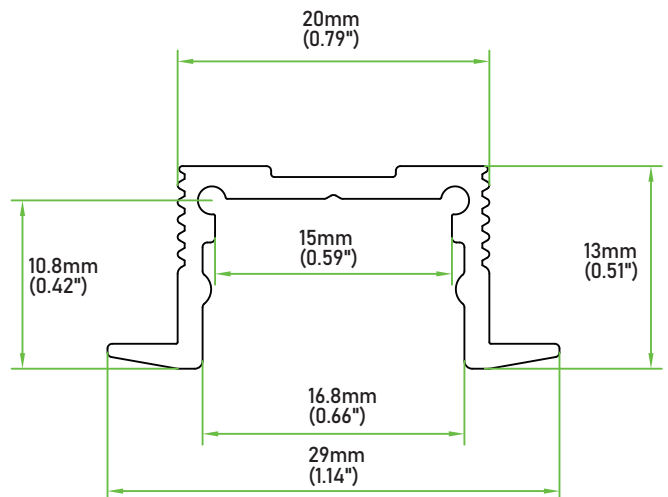
SPECIFICATIONS

TYPE	Recessed mount
AVAILABLE LENGTHS	49" and 98"
FINISH	Silver, Black
LENS OPTIONS	Frosted
CHANNEL	ALP70R
LENS (INCLUDED)	ALP70R-LN
END CAP	ALP70R-EC

FEATURES

- Customizable
- Durable, anodized aluminum
- Protects LED systems from dust and other elements
- Slim, low profile design
- Dissipates heat from LED, prolonging its lifetime

DIMENSIONS



Compatible with LED strips up to 15mm (0.59") wide.

LED tape light sold separately.

Frosted Lens diffuser included

2 (two) end caps included with every channel.

Custom color finishes available (powder-coating).



STANDARD ORDERING CODE

Model	Length	Finish
ALP70R	49 49"	Si Silver
	98 98"	BK Black
		CU Custom (powder-coat)

NOTE: Custom color finishes require powder coating. Allow 7 days lead time.

COMPATIBLE LED STRIPS

Indoor

LSM-15

1.5W/Ft., 120 Lumens

LSM-25

2.2W/Ft., 185 Lumens

LSM-30

3.0W/Ft., 250 Lumens

LSM-32CB

3.2W/Ft., 292 Lumens

LSM-35

3.0W/Ft., 290 Lumens

LSM-35WD

3.6W/Ft., Auto Warm Dim

LSM-40HF

4.0W/Ft., 440 Lumens

LSM-45

4.4W/Ft., 370 Lumens

LSP-50

4.4W/Ft., 380 Lumens

LSM-55

5.5W/Ft., 500+ Lumens

LSM-55MX

5.5W/Ft., 500+ Lumens

LSM-55WD

5.5W/Ft., Auto Warm Dim

LSM-75HF

7W/Ft., 784 Lumens

Outdoor

LSMW-15

1.5W/FT, 120 Lumens

LSMW-30

3.0W/FT, 250 Lumens

Color-changing

LSP-20-RGB

2.2W/FT

LSP-50-RGB

4.4W/FT

LSP-50-RGB-DX

4.4W/FT Digital

LSP-52-RGBW

4.4W/FT

LSM-55-RGBW

5W/FT

LSP-70-RGBWW

7W/FT