

ALP2800TL

1.5" Aperture Trimless LED Profile

JOB NAME: _____
LOCATION: _____
QUOTE/REF#: _____



The ALP-2800TL is an Architectural Grade, LED extrusion profile designed for recessed applications. Made from high quality aluminum, these extrusions provide superior thermal management for higher wattage LED strips prolonging the overall lifespan of the lighting system. Manufactured with a patented frosted diffuser for maximum lumen output and a wider beam distribution.

SPECIFICATIONS

TYPE	Recessed mount
AVAILABLE LENGTHS	48" & 96"
FINISH	Matte White
LENS OPTIONS	Frosted
TRANSFORMER	Remote
APERTURE	1.5"
CHANNEL	ALP2800TL
LENS (INCLUDED)	ALP2800TL-LN
END CAP (SOLD SEPARATELY)	ALP2800TL-EC
STRAIGHT CONNECTOR (SOLD SEPARATELY)	ALP2000TL-STB
INTERNAL CONNECTOR (SOLD SEPARATELY)	ALP2000TL-L90

FEATURES

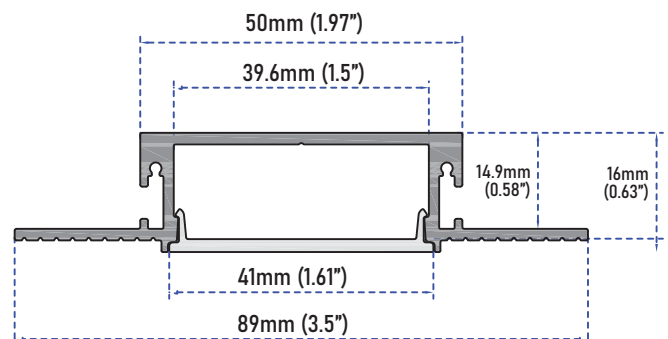
- Customizable
- Field cuttable
- 1.5" Aperture
- Accommodates LED strips up to 40mm wide (1.5")
- Recessed mount to fit flush onto installation surface
- Frosted Lens diffuser included
- Durable, anodized aluminum
- Protects LEDs from dust and other elements
- Dissipates heat from LED

Compatible with LED strips up to 40mm (1.5") wide.

Frosted Lens diffuser included w/ every channel

Custom color finishes available (powder-coating).

Remote mounted low-voltage power supply sold separately



ALP2800TL

1.5" Aperture Trimless LED Profile

STANDARD ORDERING CODE (CHANNEL)

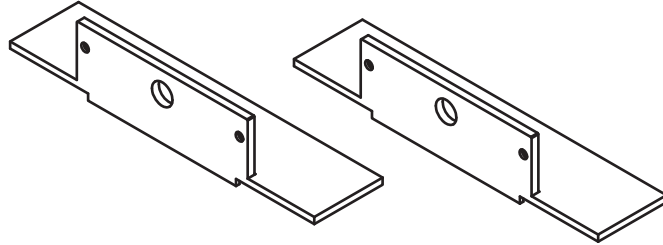
EX:
ALP2800TL-48-FR

Model	Length	Lens
ALP2800TL	48 48"	FR Frosted
	96 96"	

NOTE: Custom color finishes require powder coating. Allow 7 days lead time.

COMPATIBLE ACCESSORIES

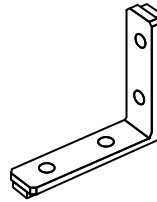
ALP2800TL-EC | END CAP
(sold separately)



ALP2000TL-STB | STRAIGHT CONNECTOR
(sold separately)



ALP2000TL-L90 | INTERNAL CONNECTOR
(sold separately)



ALP2000TL-INB | INTERNAL CONNECTOR
(sold separately)

