

ALP-2400TL 1" Wide Aperture Trimless Corner LED Profile

SPECIFICATION SHEET

JOB NAME: _____
LOCATION: _____
QUOTE/REF#: _____



The **ALP-2400TL** is an Architectural Grade, LED extrusion profile designed for linear LED strips up to **24.6mm (0.97in)** wide and recessed applications. Made from high quality aluminum, these extrusions provide superior thermal management for higher wattage LED strips prolonging the overall lifespan of the lighting system. Manufactured with a patented frosted diffuser for maximum lumen output and a wider beam distribution.

FEATURES

- Customizable
- 1" Aperture
- Accommodates LED strips up to **24.6mm (0.97in)**
- Suitable for corner installations / applications.
- Dissipates heat from LED, prolonging its lifetime

SPECIFICATIONS

TYPE	Recessed / Corner mount
AVAILABLE LENGTHS	48" & 96"
FINISH	Matte white
LENS OPTIONS	Frosted
CHANNEL	ALP-2400TL
LENS	ALP-2400TL-LN (included)
END CAP	ALP-2400TL-EC (sold separately)

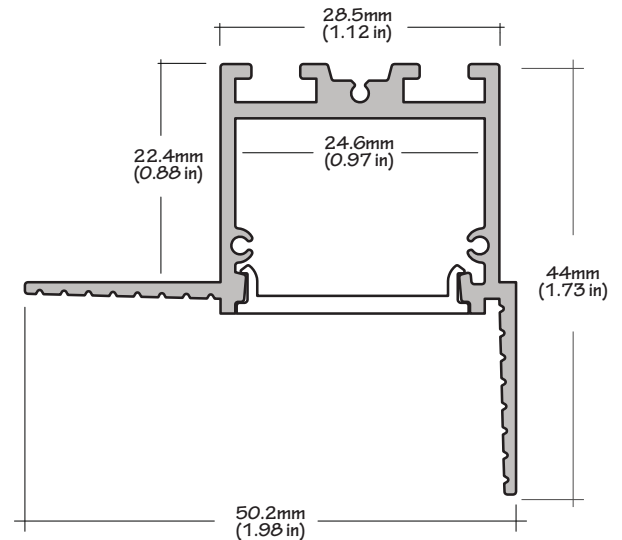
Compatible with LED strips up to **24.6mm (0.97in)** wide.

LED tape light sold separately.

Frosted lens diffuser included (1 with every channel)

End caps sold separately.

DIMENSIONS



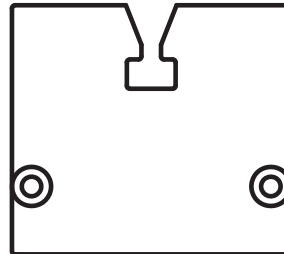
ORDERING CODE

Model	Length	Lens	Finish
ALP-2400TL	48 - 48"	FR - Frosted	WH - White
	96 - 96"		

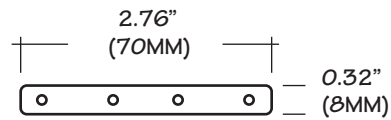


COMPATIBLE ACCESSORIES

ALP2400TL-EC | END CAP
(sold separately)



ALP2000TL-STB | STRAIGHT CONNECTOR
(sold separately)



ALP2000TL-INB | INTERNAL CONNECTOR
(sold separately)

