

LNT-65WD

4W Warm-Dim Flexible LED Neon Series



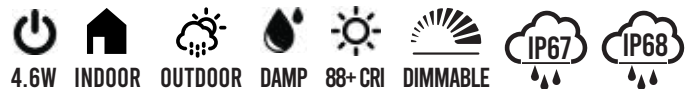
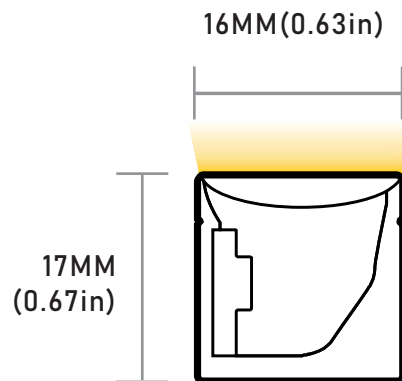
LNT65WD is a WARM-DIM high-performance flexible LED strip designed as a neon replacement. Suitable for indoor and outdoor applications, the LNT65WD automatically shifts color temperatures from 30K down to 18K as it is being dimmed. Available in horizontal and vertical bend options, It can easily follow the contours of your installation surface.

FEATURES

- Auto warm-dim technology
- Smooth illumination
- Horizontal and Vertical bend options
- Bottom, Side & End-Feed Options
- 50 Ft. maximum run length
- UL listed
- Dimmable with CORE dimmable drivers

SPECIFICATIONS

INPUT VOLTAGE	24V DC Constant Voltage
POWER CONSUMPTION	4W per Ft.
LUMEN OUTPUT	183 Lumens/Ft. (30K)
BEAM ANGLE	112°
CRI	90
DIMMING	TRIAC
MAXIMUM RUN LENGTH	50 Ft.
IP RATING	IP67 / IP68
LUMEN MAINTENANCE	50,000 Hours
POWER FACTOR	≤ 1
OPERATING TEMPERATURE	-40°F ~131°F (-40°C ~ 55°C)
STORAGE TEMPERATURE	-40°F ~140°F (-40°C ~ 60°C)
HUMIDITY	0-95% Non Condensing
CERTIFICATIONS	UL Listed
DIMENSIONS	Width x Depth: 0.63" x 0.67"



LNT-65WD

4W Warm-Dim Flexible LED Neon Series



STANDARD ORDERING GUIDE

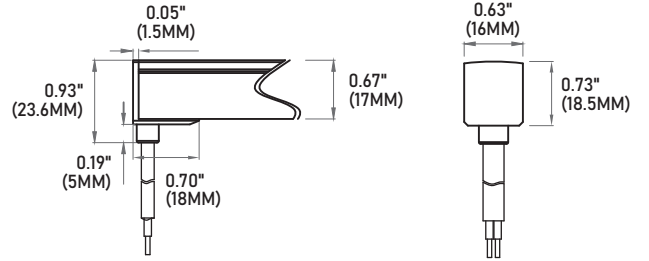
Model	Lens	Light Surface	Color Temp	Voltage	Length (CODE)	Power Feed	Power Feed Length
LNT-65WD	F Flat	HB Horizontal Bend	18K/30K 1800K/3000K	24V 24V DC	Please refer to pages 6-7 for exact lengths with corresponding ordering codes.	IP67BF Bottom Feed	HW3 3 Ft. Power Feed
		VB Vertical Bend				IP67SFL Side Feed Left	HW10 10 Ft. Power Feed
						IP67SFR Side Feed Right	HW15 15 Ft. Power Feed
						IP67EF End Feed	HW30 30 Ft. Power Feed
							HW50 50 Ft. Power Feed
						IP68BF Bottom Feed	
						IP68SFL Side Feed Left	
						IP68SFR Side Feed Right	
						IP68EF End Feed	

LNT-65WD

4W Warm-Dim Flexible LED Neon Series

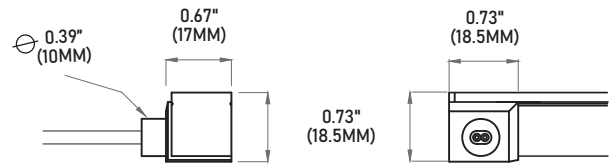
POWER FEED OPTIONS

BF
Bottom Feed



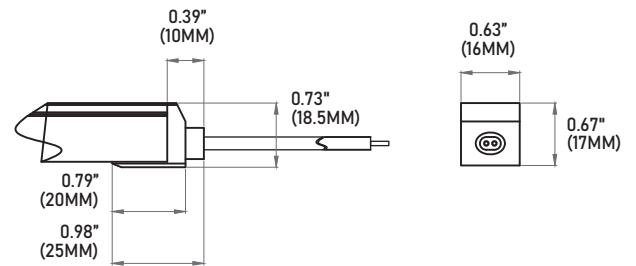
SFL
Side Feed Left

LEFT

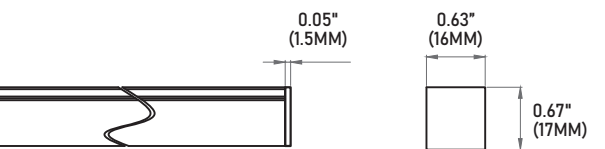


SFR
Side Feed Right

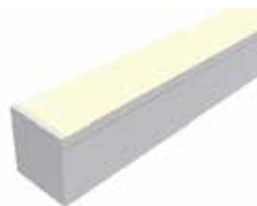
RIGHT



EF
End Feed



EC
End Cap



LNT-65WD

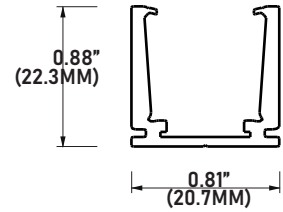
4W Warm-Dim Flexible LED Neon Series

ACCESSORIES

SELF LOCKING ALUMINUM PROFILE

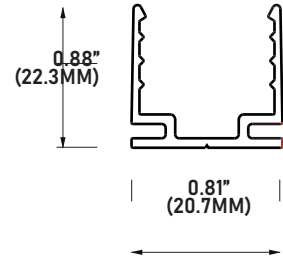
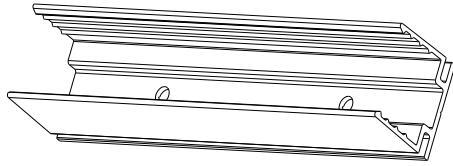
LNT65-AC2
2" Profile

LNT65-AC39
39" Profile



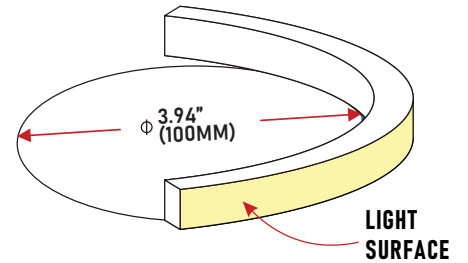
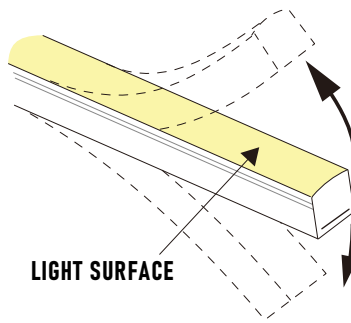
PLASTIC PROFILE

LNT65-PC39
39" Profile

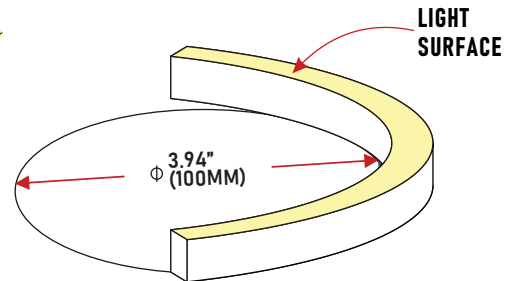
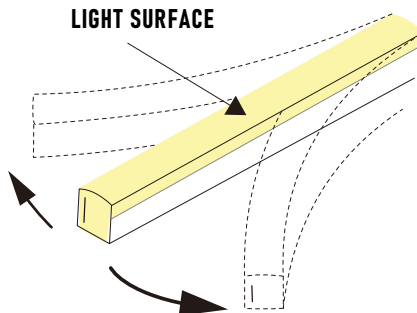


BEND RADIUS

LNT65-VB
(VERTICAL BEND)



LNT65-HB
(HORIZONTAL BEND)



LNT-65WD

4W Warm-Dim Flexible LED Neon Series



LNT65WD Series is cuttable **every 2.46" (6.25 CM)**. Please refer to chart below to determine actual lengths once LED is cut versus actual lengths required or specified.

Total Length Calculation = order code length + end feed option length
 example: 49.93" total length = code 20 + end feed (49.20" + 0.73")

Optional lead wire lengths available: **3Ft., 10Ft., 16Ft., 32Ft., 50Ft.**

POWER FEED OPTION	
END FEED	0.98"
BOTTOM FEED	0.73"
SIDE FEED	0.73"

CUTTING LENGTH INCREMENT TABLE

CODE	LENGTH IN CM	LENGTH IN INCHES	CODE	LENGTH IN CM	LENGTH IN INCHES
1	6	2.46	34	212	83.64
2	12	4.92	35	219	86.10
3	19	7.38	36	225	88.56
4	25	9.84	37	231	91.02
5	31	12.30	38	237	93.48
6	37	14.76	39	244	95.94
7	44	17.22	40	250	98.40
8	50	19.68	41	256	100.86
9	56	22.14	42	262	103.32
10	62	24.60	43	269	105.78
11	69	27.06	44	275	108.24
12	75	29.52	45	281	110.70
13	81	31.98	46	287	113.16
14	87	34.44	47	294	115.62
15	94	36.90	48	300	118.08
16	100	39.36	49	306	120.54
17	106	41.82	50	312	123.00
18	112	44.28	51	319	125.46
19	119	46.74	52	325	127.92
20	125	49.20	53	331	130.38
21	131	51.66	54	337	132.84
22	137	54.12	55	344	135.30
23	144	56.58	56	350	137.76
24	150	59.04	57	356	140.22
25	156	61.50	58	362	142.68
26	162	63.96	59	369	145.14
27	169	66.42	60	375	147.60
28	175	68.88	61	381	150.06
29	181	71.34	62	387	152.52
30	187	73.80	63	394	154.98
31	194	76.26	64	400	157.44
32	200	78.72	65	406	159.90
33	206	81.18	66	412	162.36

LNT-65WD

4W Warm-Dim Flexible LED Neon Series



CUTTING LENGTH INCREMENT TABLE

CODE	LENGTH IN CM	LENGTH IN INCHES	CODE	LENGTH IN CM	LENGTH IN INCHES
67	419	164.82	107	669	263.22
68	425	167.28	108	675	265.68
69	431	169.74	109	681	268.14
70	437	172.20	110	687	270.6
71	444	174.66	111	694	273.06
72	450	177.12	112	700	275.52
73	456	179.58	113	706	277.98
74	462	182.04	114	712	280.44
75	469	184.50	115	719	282.9
76	475	186.96	116	725	285.36
77	481	189.42	117	731	287.82
78	487	191.88	118	737	290.28
79	494	194.34	119	744	292.74
80	500	196.80	120	750	295.2
81	506	199.26	121	756	297.66
82	512	201.72	122	762	300.12
83	519	204.18	123	769	302.58
84	525	206.64	124	775	305.04
85	531	209.10	125	781	307.5
86	537	211.56	126	787	309.96
87	544	214.02	127	794	312.42
88	550	216.48	128	800	314.88
89	556	218.94	129	806	317.34
90	562	221.40	130	812	319.8
91	569	223.86	131	819	322.26
92	575	226.32	132	825	324.72
93	581	228.78	133	831	327.18
94	587	231.24	134	837	329.64
95	594	233.70	135	844	332.1
96	600	236.16	136	850	334.56
97	606	238.62	137	856	337.02
98	612	241.08	138	862	339.48
99	619	243.54	139	869	341.94
100	625	246.00	140	875	344.4
101	631	248.46	141	881	346.86
102	637	250.92	142	887	349.32
103	644	253.38	143	894	351.78
104	650	255.84	144	900	354.24
105	656	258.30	145	906	356.7
106	662	260.76	146	912	359.16

LNT-65WD

4W Warm-Dim Flexible LED Neon Series

CUTTING LENGTH INCREMENT TABLE

CODE	LENGTH IN CM	LENGTH IN INCHES	CODE	LENGTH IN CM	LENGTH IN INCHES
147	918	361.62	187	1168	460.02
148	925	364.08	188	1175	462.48
149	931	366.54	189	1181	464.94
150	937	369.00	190	1187	467.40
151	943	371.46	191	1193	469.86
152	950	373.92	192	1200	472.32
153	956	376.38	193	1206	474.78
154	962	378.84	194	1212	477.24
155	968	381.30	195	1218	479.70
156	975	383.76	196	1225	482.16
157	981	386.22	197	1231	484.62
158	987	388.68	198	1237	487.08
159	993	391.14	199	1243	489.54
160	1000	393.60	200	1250	492.00
161	1006	396.06	201	1256	494.46
162	1012	398.52	202	1262	496.92
163	1018	400.98	203	1268	499.38
164	1025	403.44	204	1275	501.84
165	1031	405.90	205	1281	504.30
166	1037	408.36	206	1287	506.76
167	1043	410.82	207	1293	509.22
168	1050	413.28	208	1300	511.68
169	1056	415.74	209	1306	514.14
170	1062	418.20	210	1312	516.60
171	1068	420.66	211	1318	519.06
172	1075	423.12	212	1325	521.52
173	1081	425.58	213	1331	523.98
174	1087	428.04	214	1337	526.44
175	1093	430.50	215	1343	528.90
176	1100	432.96	216	1350	531.36
177	1106	435.42	217	1356	533.82
178	1112	437.88	218	1362	536.28
179	1118	440.34	219	1368	538.74
180	1125	442.80	220	1375	541.20
181	1131	445.26	221	1381	543.66
182	1137	447.72	222	1387	546.12
183	1143	450.18	223	1393	548.58
184	1150	452.64	224	1400	551.04
185	1156	455.10	225	1406	553.50
186	1162	457.56	226	1412	555.96

LNT-65WD

4W Warm-Dim Flexible LED Neon Series



CUTTING LENGTH INCREMENT TABLE

CODE	LENGTH IN CM	LENGTH IN INCHES
227	1418	558.42
228	1425	560.88
229	1431	563.34
230	1437	565.80
231	1443	568.26
232	1450	570.72
233	1456	573.18
234	1462	575.64
235	1468	578.10
236	1475	580.56
237	1481	583.02
238	1487	585.48
239	1493	587.94
240	1500	590.40
241	1506	592.86
242	1512	595.32
243	1518	597.78
244	1525	600.24

LNT-65WD

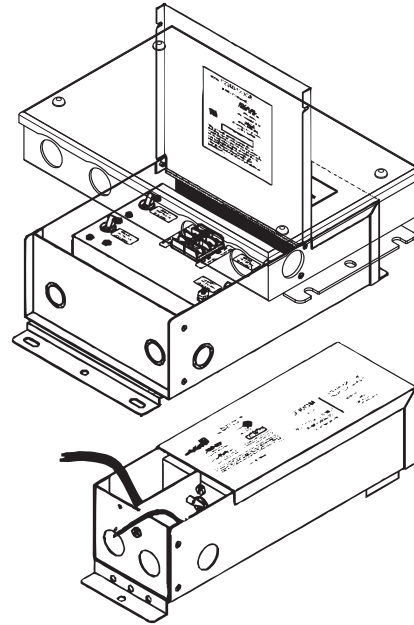
4W Warm-Dim Flexible LED Neon Series

COMPATIBLE DRIVERS

PSDH SERIES

HIGH PERFORMANCE MAGNETIC LOW VOLTAGE (MLV)

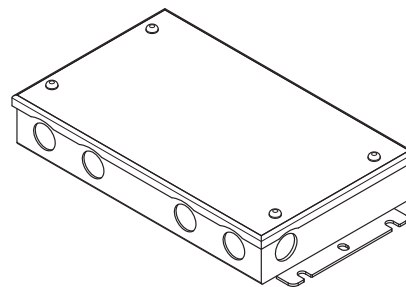
PSDH-48W-24V	CLASS 2	11.25" x 3.37" x 3.25"
PSDH-96W-24V	CLASS 2	11.25" x 3.37" x 3.25"
PSDH-288W-24V	CLASS 2	14.25" x 8.43" x 4.43"



PSDL SERIES

TRIAC DIMMABLE

PSDL-30W-24V	CLASS 2	6.5" x 3.63" x 1.03"
PSDL-60W-24V	CLASS 2	7.4" x 3.63" x 1.03"
PSDL-96W-24V	CLASS 2	8.67" x 3.67" x 1.62"
PSDL-150W-24V		8.67" x 3.67" x 1.62"
PSDL-192W-24V	CLASS 2	10.25" x 4.06" x 1.82"
PSDL-200W-24V		10.25" x 4.06" x 1.82"
PSDL-288W-24V	CLASS 2	10.25" x 4.06" x 1.82"
PSDL-300W-24V		10.25" x 4.06" x 1.82"



LNT-65WD

4W Warm-Dim Flexible LED Neon Series

COMPATIBLE DRIVERS

PSVT SERIES

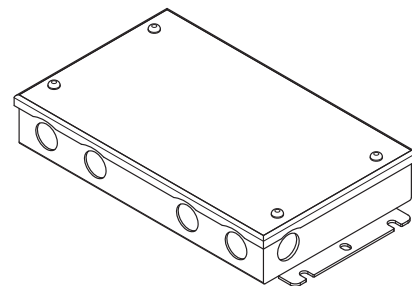
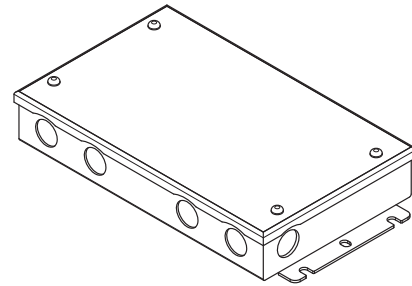
0-10V DIMMING DRIVER

PSVT-60W-24V	CLASS 2	7.4" X 3.72" X 1.57"
PSVT-96W-24V	CLASS 2	8.66" X 3.72" X 1.57"
PSVT-200W-24V		10.24" X 4.13" X 1.77"
PSVT-288W-24V	CLASS 2	11.85" X 4.25" X 1.81"
PSVT-300W-24V	CLASS 2	10.94" X 4.33" X 1.77"

PSRX SERIES

4-in-1 DIMMING DRIVER W/ JUNCTION BOX

PSRX-30W-24V-UNV	CLASS 2	6.5" X 3.7" X 1.57"
PSRX-60W-24V-UNV	CLASS 2	7.4" X 3.72" X 1.57"
PSRX-96W-24V-UNV	CLASS 2	10.24" X 4.13" X 1.77"
PSRX-150W-24V-UNV		10.24" X 4.13" X 1.77"
PSRX-200W-24V-UNV		10.24" X 4.13" X 1.77"
PSRX-300W-24V-UNV		10.94" X 4.33" X 1.77"



COMPATIBLE DRIVERS

LUTRON 1%
2 OR 3-WIRE DIMMING

LTEA4U1UKL-CV240	CLASS 2	4.0" x 1.5" x 4.0"
L3DA4U1UKL-CV240	CLASS 2	4.0" x 1.5" x 4.0"

LUTRON 1%

PSDE-96W-24V-ECO	CLASS 2	10.5" x 3.0" x 2.0"
-------------------------	---------	---------------------

