

## SPECIFICATION SHEET

JOB NAME: \_\_\_\_\_  
 LOCATION: \_\_\_\_\_  
 QUOTE/REF#: \_\_\_\_\_



**USB Lightbar** is a linkable LED light source with a patented diffused optical lens for perfect even illumination without any hot spots. Delivering 320 Lumens per foot, the USB lightbar is one of the brightest and most efficient LED linear systems available to date. At only 5W per foot, the USB Lightbar is a great alternative to halogen linear systems providing over 50,000 hours of light source.

### FEATURES

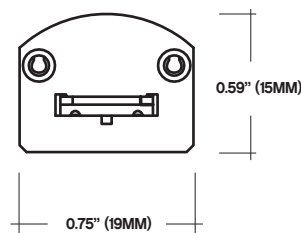
- 5W per foot
- 24V DC Constant Voltage Input
- 320 Lumens per foot
- Dimmable (with CORE LED dimmable drivers)
- 6" to 48" Length Options
- Includes Flat Mounting Brackets and mini coupling
- 6" ~ 48" length options

### SPECIFICATIONS

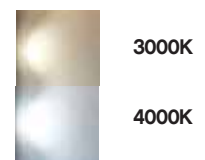
INPUT VOLTAGE	24V DC constant voltage
POWER CONSUMPTION	4.8W per foot
LUMEN OUTPUT	320Lm
LED	2835
CCT	3000K or 4000K
CRI	90+
DIMMING	MLV, ELV, 0-10 and TRIAC
MAXIMUM RUN LENGTH	Linkable up to 20Ft.
MOUNTING	Surface
LUMEN MAINTENANCE	50,000 hrs.
IP RATING	IP20
FINISH OPTIONS	Silver
DIMENSIONS	0.75" width x 0.59" height

MODEL	USB6	USB12	USB24	USB36	USB48
LENGTH	6"	12"	24"	36"	48"
WATTS	2.5W	5W	10W	15W	20W
LUMENS	160	320	640	960	1280
# OF LEDs	24	48	96	144	192

### DIMENSIONS



### COLOR TEMP



### ORDERING GUIDE EX: USB-24-30K-SI-24

USB				
MODEL	LENGTH	COLOR TEMP	FINISH	VOLTAGE
	6 - 6" 12 - 12" 24 - 24" 36 - 36" 48 - 48"	30K - 3000K 40K - 4000K	SI - Silver	24 - 24V DC

## COMPATIBLE ACCESSORIES

### MOTION SENSOR

LSA-DC-MS



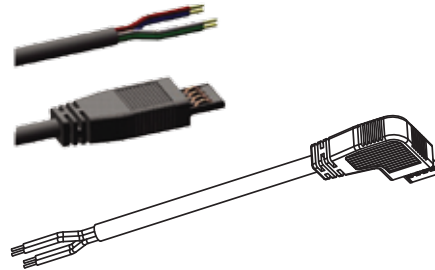
### LINK EXTENSION CABLE

- USB-LNK-2 2" Link Cable
- USB-LNK-6 6" link Cable
- USB-LNK-24 24" Link cable



### HARDWIRE CABLE

- USB-HWC-12 12" Hardwire Cable
- USB-HWC-72 72" Hardwire Cable
- USB-HWC-12L 12" Side Power Hardwire Cable
- USB-HWC-72L 72" Side Power Hardwire Cable



### DC POWER CONNECTOR

- USB-PDC-12 12" Plugin Cable



### MINI COUPLING

- USB-MC Mini Coupling (included with every fixture)



## COMPATIBLE ACCESSORIES

### FLAT MOUNTING BRACKET

USB-BKT (included with every fixture)



### 45° MOUNTING BRACKET

USB-BKT-45



### SWIVEL MOUNTING BRACKET

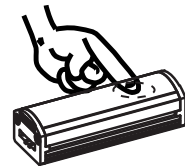
USB-BKT-ADJ



### INLINE TOUCH DIMMER

USB-DM (MAX LOAD 4A)

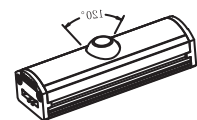
(LxWxH) 2.17" x 0.75" x 0.59"



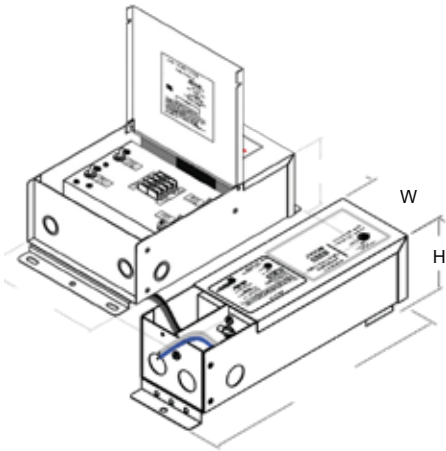
### INLINE MOTION SENSOR

USB-MS (MAX LOAD 4A)

(LxWxH) 2.48" x 0.75" x 0.7"



## COMPATIBLE TRANSFORMERS



### PSDH SERIES HIGH PERFORMANCE MLV

<b>PSDH-48W-24V</b>	CLASS 2	11.25" x 3.37" x 3.25"
<b>PSDH-96W-24V</b>	CLASS 2	11.25" x 3.37" x 3.25"
<b>PSDH-288W-24V</b>	CLASS 2	14.25" x 8.43" x 4.43"



### PSDL SERIES TRIAC DIMMABLE

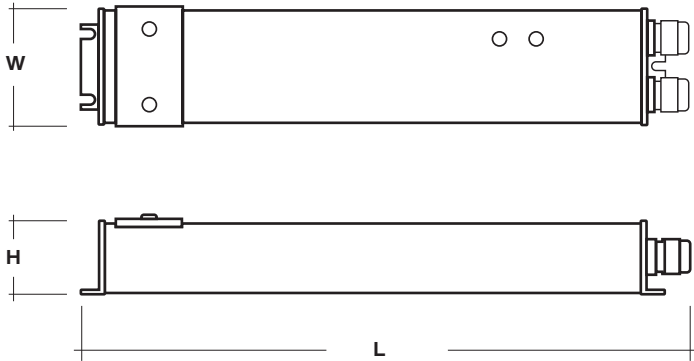
<b>PSDL-30W-24V</b>	CLASS 2	6.5" x 3.63" x 1.03"
<b>PSDL-60W-24V</b>	CLASS 2	7.4" x 3.63" x 1.03"
<b>PSDL-96W-24V</b>	CLASS 2	8.67" x 3.67" x 1.62"
<b>PSDL-150W-24V</b>		8.67" x 3.67" x 1.62"
<b>PSDL-192W-24V</b>		10.25" x 4.06" x 1.82"
<b>PSDL-200W-24V</b>		10.25" x 4.06" x 1.82"
<b>PSDL-288W-24V</b>		10.25" x 4.06" x 1.82"
<b>PSDL-300W-24V</b>		10.25" x 4.06" x 1.82"



### PSHK SERIES NON-DIMMING WITH JUNCTION BOX

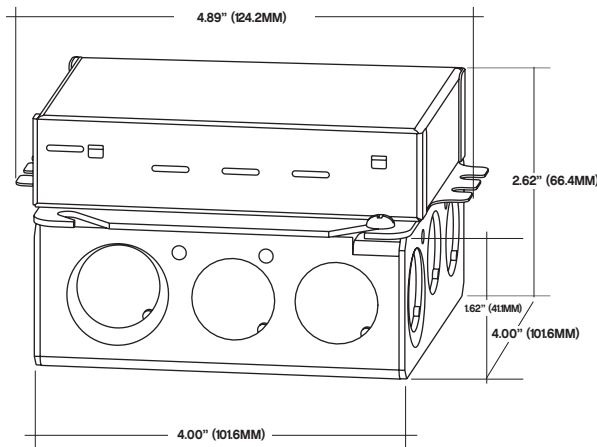
<b>PSHK-30W-24V-UNV</b>	CLASS 2	6.5" X 3.6" X 1.02"
<b>PSHK-60W-24V-UNV</b>	CLASS 2	7.4" X 3.62" X 1.02"
<b>PSHK-96W-24V-UNV</b>	CLASS 2	8.66" X 3.66" X 1.61"
<b>PSHK-150W-24V-UNV</b>		10.24" X 4.06" X 1.81"
<b>PSHK-200W-24V-UNV</b>		10.24" X 4.06" X 1.81"
<b>PSHK-300W-24V-UNV</b>		10.94" X 4.25" X 1.81"

## COMPATIBLE TRANSFORMERS



### PSDE SERIES 0-10V DIMMING WITH JUNCTION BOX

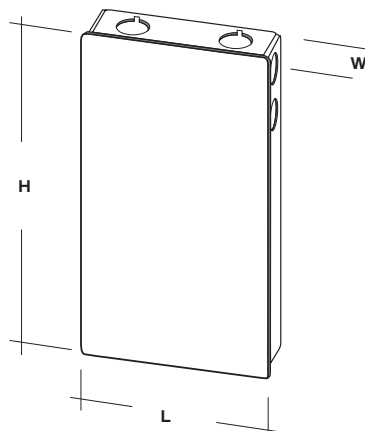
**PSDE-100W-24V-010-JB** CLASS 2 12.32" x 1.77" x 1.67"



### LUTRON 1% 2 OR 3-WIRE DIMMING

**LTEA4U1UKL-CV240** CLASS 2 4.0" x 1.5" x 4.0"

**L3DA4U1UKL-CV240** CLASS 2 4.0" x 1.5" x 4.0"



### LUTRON 1%

**PSDE-96W-24V-ECO** CLASS 2 10.5" x 3.0" x 2.0"