

RGB-CT850

RGBW Bluetooth Touch Panel Wall Controller

JOB NAME: _____
LOCATION: _____
QUOTE/REF#: _____



The **RGB-CT850** wall controller is a touch panel with Bluetooth 5.0 SIG Mesh technology. Its simple and elegant design is suitable for multi-scene and multi-zone lighting control applications.

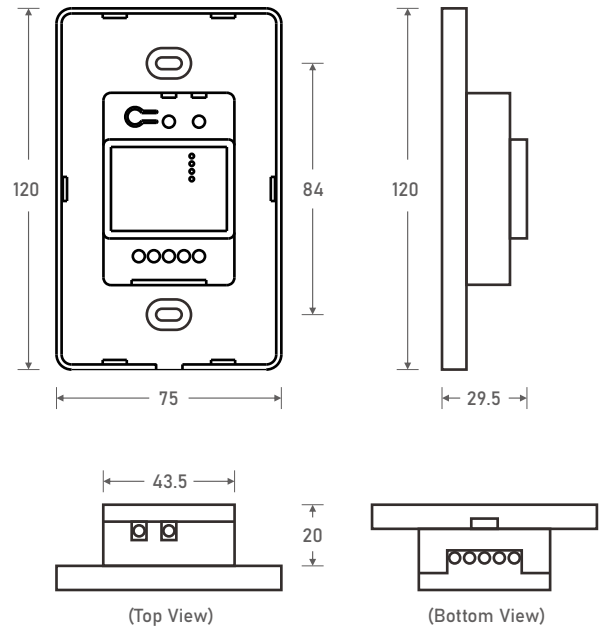
FEATURES

- Bluetooth 5.0 Mesh compatible
- Use with your smart phone
- 4 Zone
- 16 modes
- Touch control
- 12-24VDC

SPECIFICATIONS

CONTROL MODE	RGBW RGBW+W
INPUT VOLTAGE	12-24VDC, Class 2 Power Supply
WIRELESS PROTOCOL	Bluetooth 5.0 SIG Mesh
ZONES	4
WORKING TEMPERATURE	-20°C ~ 55°C
DIMENSIONS	(LxWxH) 120mm x 75mm x 30mm

DIMENSIONS



[DOWNLOAD THE APP](#)

RGB-CT800-RC

Bluetooth Constant Voltage LED Receiver

JOB NAME: _____
LOCATION: _____
QUOTE/REF#: _____



The **RGB-CT800** is a small and lightweight wireless Bluetooth receiver compatible with RGB, RGBW + RGBW+W LED light systems. It provides the option to set dimming and color parameters that meet high level requirements specific to different applications.

FEATURES

- Bluetooth 5.0 Mesh compatible
- iOS and Android compatible
- Soft-on and fade-in dimming
- Works with RGB-CT820, RGB-CT840 & RGB-CT850

SPECIFICATIONS

WIRELESS PROTOCOL	Bluetooth 5.0 SIG Mesh
INPUT VOLTAGE	12V / 24V
LOAD CURRENT	4Ax5CH / 5Ax4CH Max 20A
LOAD POWER	12V/240W 24V/480W
PROTECTION	Short circuit, overcurrent, overheat, anti-reverse protection
WORKING TEMPERATURE	-20°C ~ 55°C
DIMENSIONS	(LxWxH) 175mm x 44mm x 30mm

DIMENSIONS

