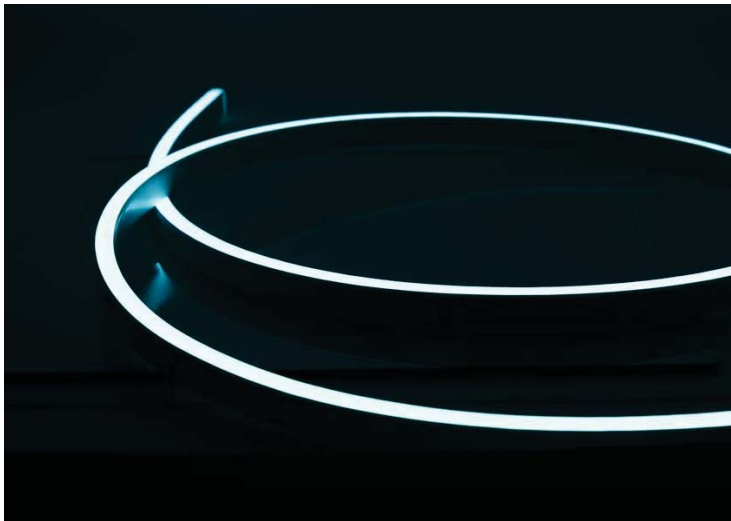


LNT-45RGB

4.4W IP67/IP68 Flexible Color-Changing LED Strip

JOB NAME: _____
LOCATION: _____
QUOTE/REF#: _____



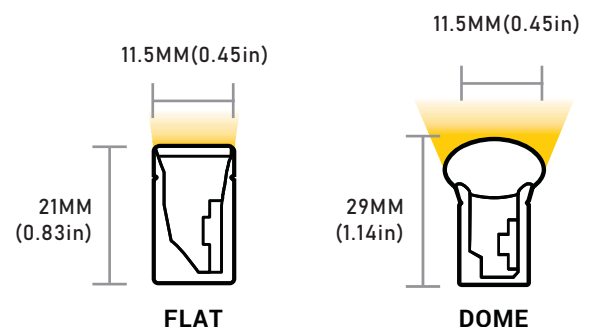
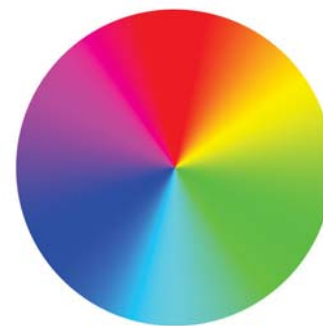
LNT45RGB is a high performance flexible LED fixture designed as a neon replacement. Suitable for indoor and outdoor applications, the **LNT45RGB** easily bends around contours and tight curves without being damaged. It allows for easy installation with its factory sealed terminators and self-locking male and female barrel connectors.

FEATURES

- High color consistency
- Smooth illumination
- 32 Ft. maximum run length
- Available in IP67 & IP68
- Waterproof, submersible under water
- Bottom, side and end feed options
- UL listed
- Dimmable through RGB controller

SPECIFICATIONS

INPUT VOLTAGE	24V DC Constant Voltage
POWER CONSUMPTION	4.4W per Ft.
LUMEN OUTPUT	(Flat) 140 Lumens/Ft. (Dome) 105 Lumens/Ft.
BEAM ANGLE	(Flat) 160° (Dome) 120°
CRI	88+
DIMMING	Thru RGB Controller
MAXIMUM RUN LENGTH	32 Ft.
IP RATING	IP67, IP68
LUMEN MAINTENANCE	50,000 Hours
POWER FACTOR	≤ 1
OPERATING TEMPERATURE	-40°F ~ 131°F (-40°C ~ 55°C)
STORAGE TEMPERATURE	-40°F ~ 140°F (-40°C ~ 60°C)
HUMIDITY	0-95% Non Condensing
CERTIFICATIONS	UL Listed
DIMENSIONS	(Flat) Width x Depth: 0.45" x 0.83" (Dome) Width x Depth: 0.45" x 1.14"



LNT-45RGB

4.4W IP67/IP68 Flexible Color-Changing LED Strip

STANDARD ORDERING CODE

Model	Lens	Color Temp	Voltage	Length (CODE)	POWER FEED	POWER FEED LENGTH
LNT-45	F Flat	RGB RGB color-changing	24V 24V DC	Please refer to pages 5-6 for exact lengths with corresponding ordering codes.	IP67BF Bottom Feed	HW3 3 Ft. power feed
	IP67SFL Side Feed Left				HW10 10 Ft. power feed	
	D Dome				IP67SFR Side Feed Right	HW16 16 Ft. power feed
					IP67EF End Feed	HW32 32 Ft. power feed
						HW50 50 Ft. power feed
					IP68BF Bottom Feed	
					IP68SFL Side Feed Left	
					IP68SFR Side Feed Right	
					IP68EF End Feed	

Standard lead wire length - 36 inches

LNT-45RGB

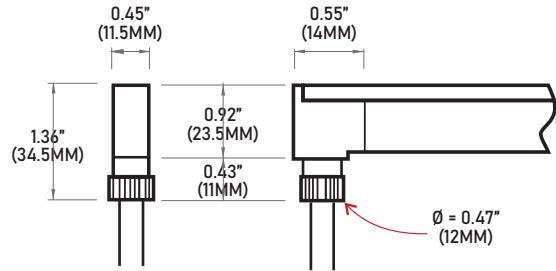
4.4W IP67/IP68 Flexible Color-Changing LED Strip

IP67 POWER FEED OPTIONS (FLAT)

■ IP67 Rating

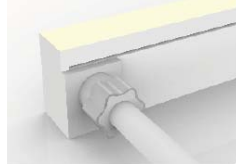
■ Protected from immersion in water for short periods

IP67BF - BOTTOM FEED

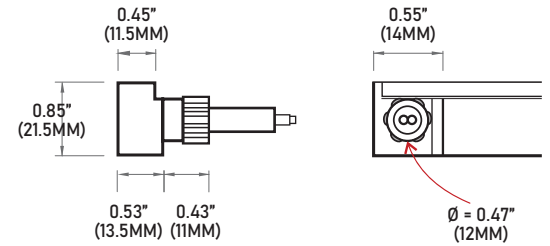
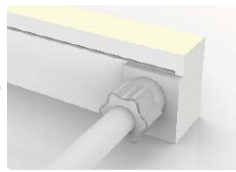


IP67SFL - SIDE FEED LEFT IP67SFR - SIDE FEED RIGHT

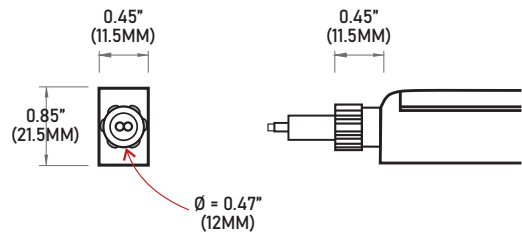
LEFT



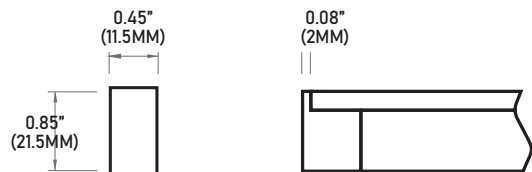
RIGHT



IP67EF - END FEED



IP67EC - END CAP

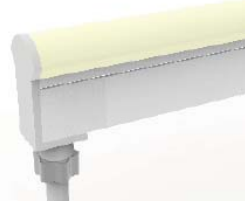
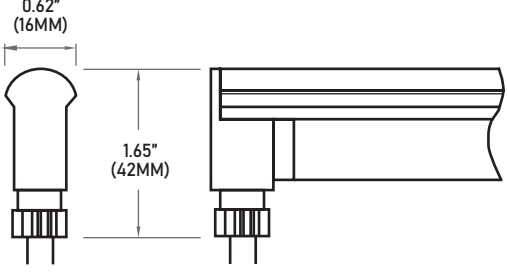
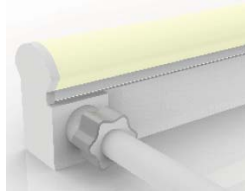
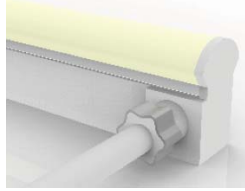
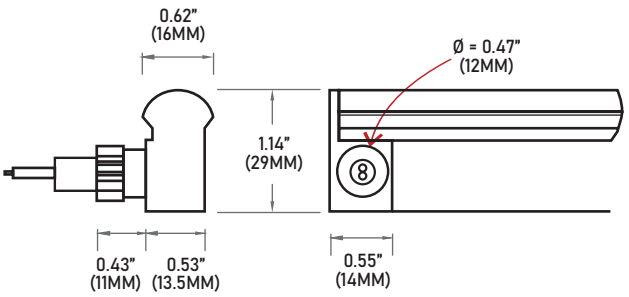
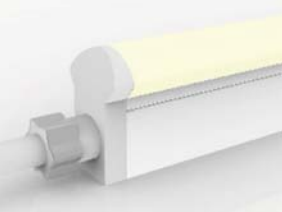
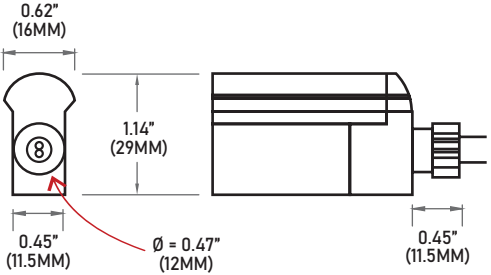
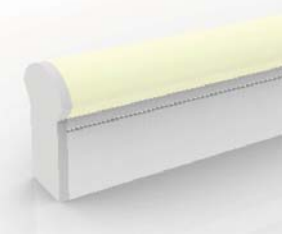
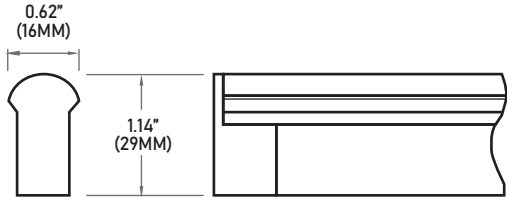


LNT-45RGB

4.4W IP67/IP68 Flexible Color-Changing LED Strip

IP67 POWER FEED OPTIONS (ROUND)

■ IP67 Rating
■ Protected from immersion in water for short periods

<p>IP67BF - BOTTOM FEED</p>		
<p>IP67SFL - SIDE FEED LEFT IP67SFR - SIDE FEED RIGHT</p>	<p>LEFT</p>  <p>RIGHT</p> 	
<p>IP67EF - END FEED</p>		
<p>IP67EC - END CAP</p>		

LNT-45RGB

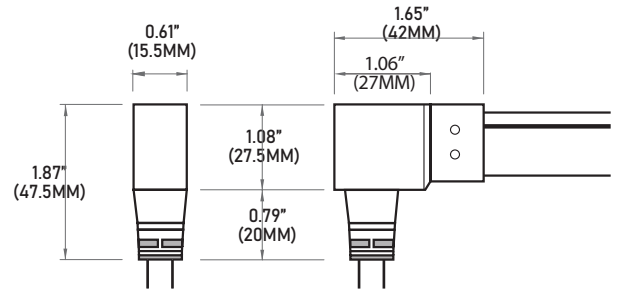
4.4W IP67/IP68 Flexible Color-Changing LED Strip

■ IP68 Rating

■ Protected from immersion in water to depths of more than 1 meter.

IP68 POWER FEED OPTIONS (FLAT)

IP68BF - BOTTOM FEED

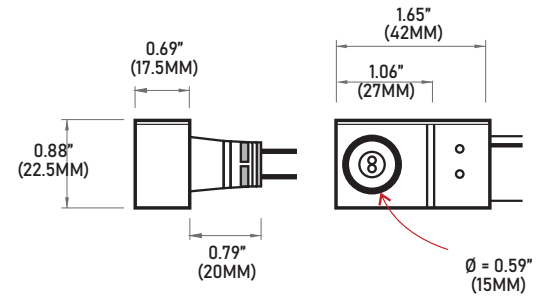


IP68SFL - SIDE FEED LEFT
IP68SFR - SIDE FEED RIGHT

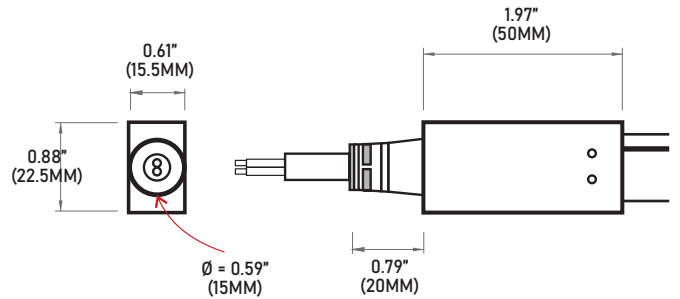
LEFT



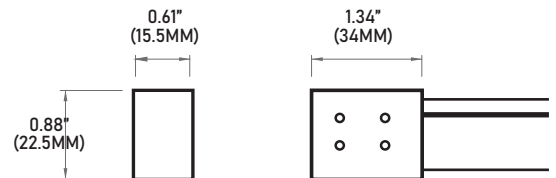
RIGHT



IP68EF - END FEED



IP68EC - END CAP



LNT-45RGB

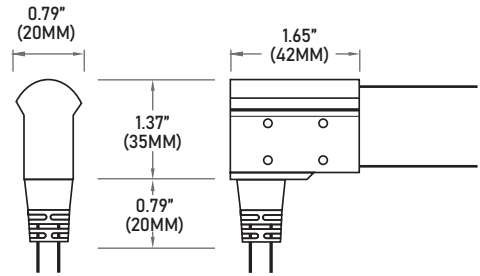
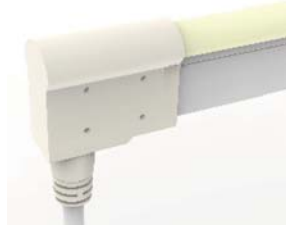
4.4W IP67/IP68 Flexible Color-Changing LED Strip

■ IP68 Rating

■ Protected from immersion in water to depths of more than 1 meter.

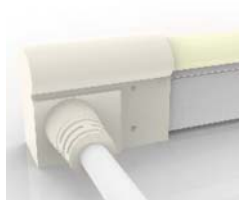
IP68 POWER FEED OPTIONS (FLAT)

IP68BF - BOTTOM FEED

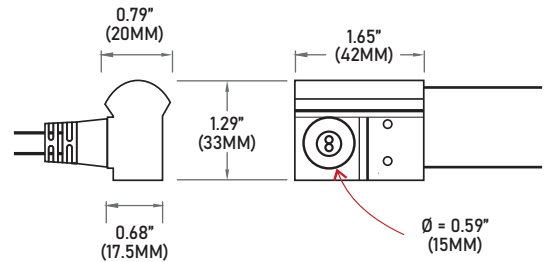
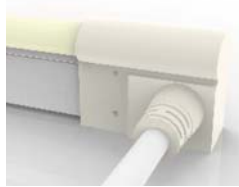


IP68SFL - SIDE FEED LEFT
IP68SFR - SIDE FEED RIGHT

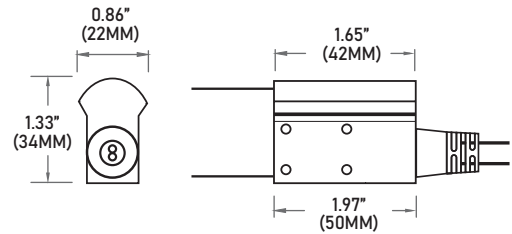
LEFT



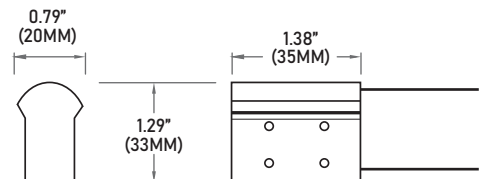
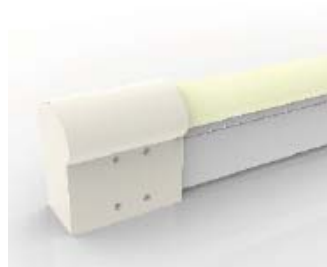
RIGHT



IP68EF - END FEED



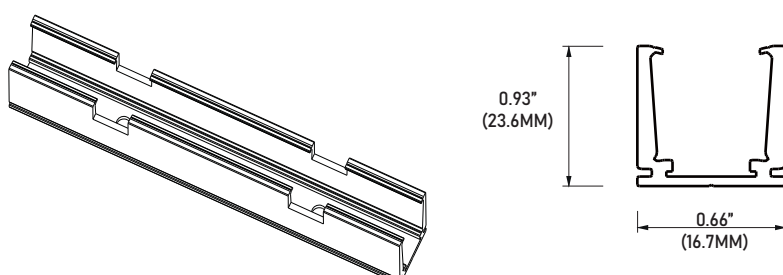
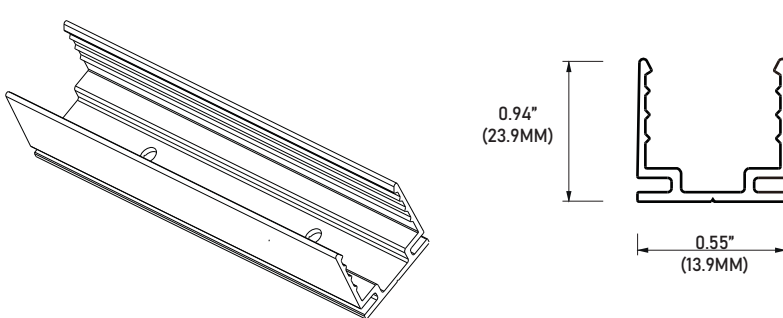
IP68EC - END CAP



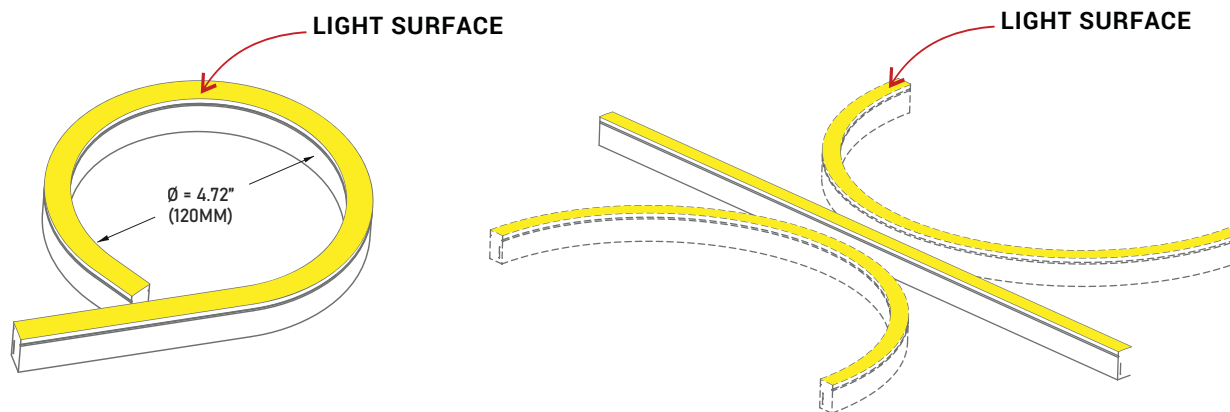
LNT-45RGB

4.4W IP67/IP68 Flexible Color-Changing LED Strip

ACCESSORIES

<p>SELF LOCKING ALUMINUM PROFILE</p> <p>LNT45-AC2 2" Profile LNT45-AC39 39" Profile</p>	 <p>0.93" (23.6MM)</p> <p>0.66" (16.7MM)</p>
<p>PLASTIC PROFILE</p> <p>LNT45-PC39 39" Profile</p>	 <p>0.94" (23.9MM)</p> <p>0.55" (13.9MM)</p>

BEND RADIUS



NOTE:

LED strip **ONLY** bends **SIDWAYS**, along horizontal axis.

Bending the LED strip vertically (perpendicular) to the light surface risks damage to the LED strip.

Do **NOT** bend the LED strip more than the indicated bend radius (shown above). Doing so will damage the LED strip.

LNT-45RGB

4.4W IP67/IP68 Flexible Color-Changing LED Strip

LNT45 Series is cuttable every **3.94" (10CM)**. Please refer to chart below to determine actual lengths once LED is cut versus actual lengths required or specified.

Total Length Calculation = order code length + end feed option length
example: **60.7" total length = order code 15 (59.05" + 1.65" - IP68 FLAT End Feed)**

Optional lead wire lengths available: 3Ft., 10Ft., 16Ft., 32Ft., 50Ft.

POWER FEED OPTION	IP67	IP68
END FEED	0.65"	1.65"
BOTTOM FEED	0.65"	1.65"
SIDE FEED	0.65"	1.65"

CUTTING LENGTH INCREMENT TABLE

CODE	LENGTH IN CM	LENGTH IN INCHES	CODE	LENGTH IN CM	LENGTH IN INCHES
1	10	3.94	34	340	133.86
2	20	7.87	35	350	137.79
3	30	11.81	36	360	141.73
4	40	15.75	37	370	145.67
5	50	19.68	38	380	149.61
6	60	23.62	39	390	153.54
7	70	27.56	40	400	157.48
8	80	31.50	41	410	161.42
9	90	35.43	42	420	165.35
10	100	39.37	43	430	169.29
11	110	43.31	44	440	173.23
12	120	47.24	45	450	177.16
13	130	51.18	46	460	181.10
14	140	55.12	47	470	185.04
15	150	59.05	48	480	188.98
16	160	63.00	49	490	192.91
17	170	66.93	50	500	196.85
18	180	70.87	51	510	200.79
19	190	74.80	52	520	204.72
20	200	78.74	53	530	208.66
21	210	82.68	54	540	212.60
22	220	86.61	55	550	216.53
23	230	90.55	56	560	220.47
24	240	94.49	57	570	224.41
25	250	98.43	58	580	228.35
26	260	102.36	59	590	232.28
27	270	106.29	60	600	236.22
28	280	110.24	61	610	240.16
29	290	114.17	62	620	244.10
30	300	118.11	63	630	248.03
31	310	122.05	64	640	251.97
32	320	125.98	65	650	255.91
33	330	129.92	66	660	259.84

LNT-45RGB

4.4W IP67/IP68 Flexible Color-Changing LED Strip

CUTTING LENGTH INCREMENT TABLE

CODE	LENGTH IN CM	LENGTH IN INCHES
67	670	263.78
68	680	267.72
69	690	271.65
70	700	275.59
71	710	279.53
72	720	283.46
73	730	287.40
74	740	291.34
75	750	295.28
76	760	299.21
77	770	303.15
78	780	307.09
79	790	311.02
80	800	314.96
81	810	318.90
82	820	322.83
83	830	326.77
84	840	330.71
85	850	334.65
86	860	338.58
87	870	342.52
88	880	346.46
89	890	350.39
90	900	354.33
91	910	358.27
92	920	362.20
93	930	366.14
94	940	370.08
95	950	374.02
96	960	377.95
97	970	381.89
98	980	385.83
99	990	389.76
100	1000	393.70

LNT-45RGB

4.4W IP67/IP68 Flexible Color-Changing LED Strip

COMPATIBLE WALL CONTROLLERS



RGB-CT600 MULTI-FUNCTION RGBW WALL CONTROLLER

INPUT VOLTAGE	5V DC, 1A
OUTPUT SIGNAL	RF 2.4GHz + DMX512
CONTROL	4 ZONES
WORKING TEMP	-20°C ~ 40°C
DIMENSIONS	LxWxH (5.19"x 7.08"x 1.38")



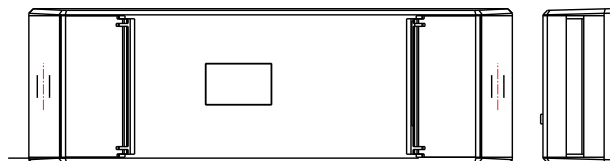
RGB-SDE3 MULTI-FUNCTION RGBW WALL CONTROLLER

INPUT POWER	6V DC 0.6A
OUTPUT SIGNAL	DMX512 (x2)
PROGRAMMABILITY	PC, MAC, Tablet, Smartphone
AVAILABLE COLORS	Black / White
CONNECTIONS	USB, Ethernet, RS232, Clock, 8dry contact ports, 5V output relay
MEMORY	microSD card
WORKING TEMP	-10°C ~ 45°C
WEIGHT (gross)	247g
DIMENSIONS	LxWxH (5.75"x 4.17"x 0.43")

LNT-45RGB

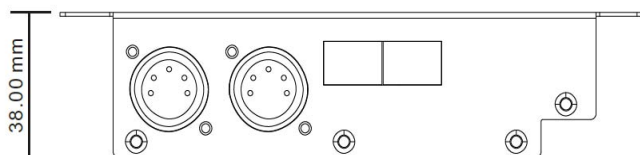
4.4W IP67/IP68 Flexible Color-Changing LED Strip

COMPATIBLE DMX RECEIVERS



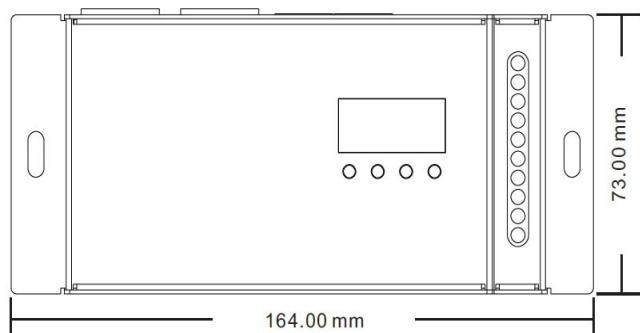
RGB-DMX-4C-RJ45 4 CHANNEL DMX DECODER

INPUT	12V - 24V DC
OUTPUT CURRENT	8A X 4CH
OUTPUT POWER	240W(12V), 720W (24V)
OUTPUT CHANNELS	3 or 4 selectable
DIMENSIONS	LxWxH (7"x 1.77"x 0.75")



RGB-DMX-5C-XLR 5 CHANNEL DMX DECODER

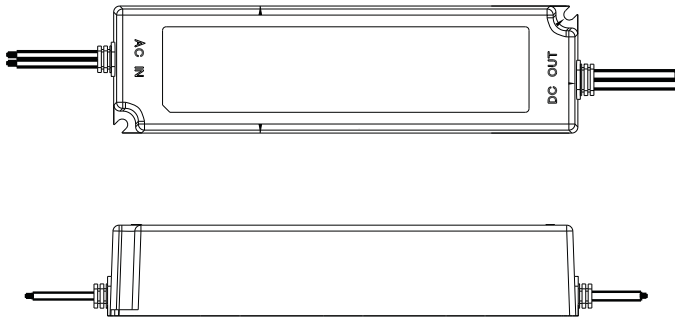
INPUT	12V-24V-36V DC
OUTPUT VOLTAGE	12V-24V DC
OUTPUT CURRENT	8A X 5CH
OUTPUT WATTAGE	5 x (96W ~ 192W)
DIMENSIONS	LxWxH (6.45"x 2.87"x 1.5")



LNT-45RGB

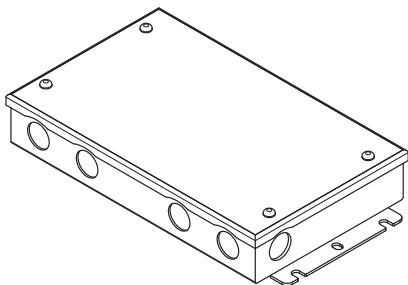
4.4W IP67/IP68 Flexible Color-Changing LED Strip

COMPATIBLE NON-DIMMING TRANSFORMERS



PSHW SERIES NON-DIMMING CONSTANT VOLTAGE

PSHW-10W-24V	CLASS 2	2.55" X 1.37" X .90"
PSHW-20W-24V	CLASS 2	4.64" X 1.38" X 1.2"
PSHW-35W-24V	CLASS 2	5.83" X 1.57" X 1.18"
PSHW-60W-24V	CLASS 2	6.38" X 1.65" X 1.18"
PSHW-100W-24V		7.44" X 2.4" X 1.45"
PSHW-150W-24V		8.75" X 2.68" X 1.53"
PSHW-200W-24V		9.62" X 2.68" X 1.53"
PSHW-300W-24V		9.92" X 3.55" X 1.75"



PSHK SERIES NON-DIMMING WITH JUNCTION BOX

PSHK-30W-24V-UNV	CLASS 2	6.5" X 3.6" X 1.02"
PSHK-60W-24V-UNV	CLASS 2	7.4" X 3.62" X 1.02"
PSHK-96W-24V-UNV	CLASS 2	8.66" X 3.66" X 1.61"
PSHK-150W-24V-UNV		10.24" X 4.06" X 1.81"
PSHK-200W-24V-UNV		10.24" X 4.06" X 1.81"
PSHK-300W-24V-UNV		10.94" X 4.25" X 1.81"