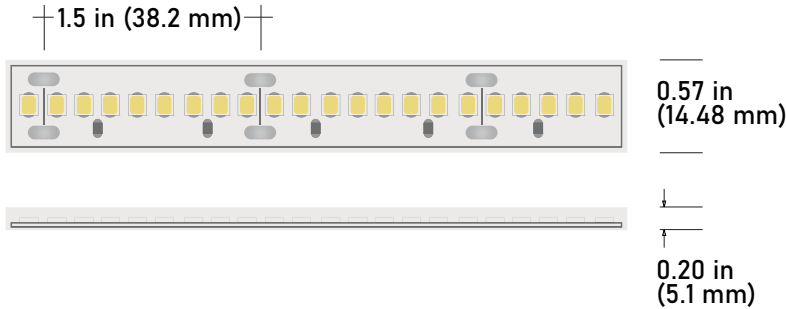


LSMW50HF

5W High-Output Outdoor Flexible LED Strip

JOB NAME: _____
LOCATION: _____
QUOTE/REF#: _____



LSMW50HF High-output flexible LED strip is designed to produce more than 595 Lumens at 5.0 Watts per foot. This field cuttable, indoor/outdoor LED strip features a low profile design that allows it to be attached almost anywhere. It is suitable for most common lighting applications. The LSMW50HF produces a 120° light beam spread and is available in different color temperatures to fit your specific needs.

FEATURES

- 5W per Foot
- 595 Lumens
- 95+ CRI
- California TITLE 24 JA8 compliant
- High efficacy level
- Suitable for accent or ambient lighting
- Multiple CCT options available
- Superior COLOR RENDERING INDEX (CRI)
- Dimmable with CORE Lighting dimmable drivers
- Approved for closet / storage space installation per NEC 410.16(A)(3) and 410.16(C)(5)

SPECIFICATIONS

INPUT VOLTAGE	24V DC
POWER CONSUMPTION	5W per foot
LUMEN OUTPUT	595 Lumens per foot
NO. OF LEDs	64 LEDs per foot
BEAM ANGLE	120°
CRI	95+
DIMMING	MLV, ELV, 0-10 and TRIAC
MAXIMUM RUN LENGTH	20 Feet
FIELD CUTTABLE	Every 1.5 in
IP RATING	IP65 wet location (outdoor)
LUMEN MAINTENANCE	50,000 hrs.
OPERATING TEMPERATURE	-40°F(-40°C)~+140°F(+60°C)
BINNING	1.5 Step Macadam Elipse
CERTIFICATIONS	UL listed, TITLE 24 JA8
DIMENSIONS	0.57" x 0.20 (width x height)

	COLOR TEMP	CRI	LUMEN/FT
--	------------	-----	----------



2700K	95	514
3000K	95	565
3500K	95	595
4000K	95	610



LSMW50HF

5W High-Output Outdoor Flexible LED Strip

STANDARD ORDERING CODE

Model	Color Temp	Length	Voltage	Profile
LSMW50HF	27K 2700K	16 16.4 Ft.	24 24 Volts	²See p3 for options
	30K 3000K	32 32 Ft.		
	35K 3500K	¹XX per Ft.		
	40K 4000K			

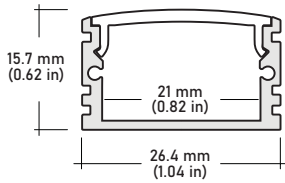
NOTE:

- 1** = Custom length per Ft. cuttable every 1.5"
- 2** = Custom color finishes require powder coating. Allow 7 days lead time.

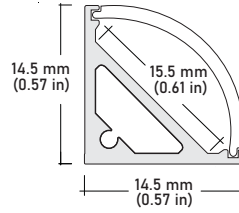
LSMW50HF

5W High-Output Outdoor Flexible LED Strip

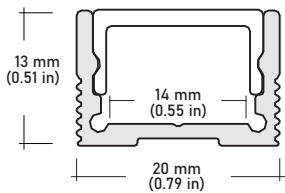
COMPATIBLE ALUMINUM PROFILES



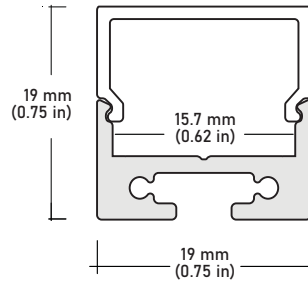
ALU-DS100 Surface Wide
LENGTHS 39^{3/8}" | 78^{7/8}" | 96"
LENS Clear, Frosted
FINISH Silver



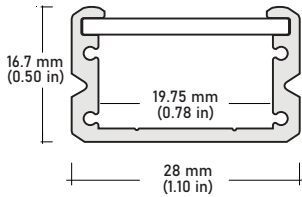
ALP-50C Surface, Corner
LENGTHS 49.25" | 98.5"
LENS Frosted
FINISH White | Black | Silver



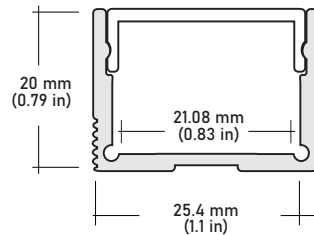
ALP-70 Surface
LENGTHS 49.25" | 98.5"
LENS Frosted
FINISH White | Black | Silver



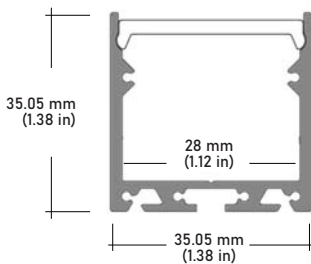
ALP-80 Surface, Suspended
LENGTHS 49.25" | 98.5"
LENS Frosted
FINISH Silver



ALP-90 Surface
LENGTHS 48" | 96"
LENS Frosted
FINISH Silver



ALP-130 Surface, Suspended
LENGTHS 49.25" | 98.5"
LENS Frosted
FINISH Silver

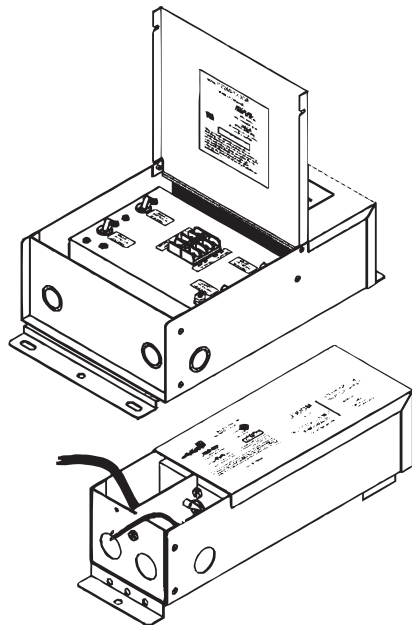


ALP-140 Surface, Suspended
LENGTHS 49.25" | 98.5"
LENS Frosted
FINISH Silver

LSMW50HF

5W High-Output Outdoor Flexible LED Strip

COMPATIBLE TRANSFORMERS



PSDH SERIES | HIGH PERFORMANCE MAGNETIC LOW VOLTAGE (MLV)

PSDH-48W-24V	CLASS 2	11.25"x 3.37"x 3.25"
PSDH-96W-24V	CLASS 2	11.25"x 3.37"x 3.25"
PSDH-288W-24V	CLASS 2	14.25"x 8.43"x 4.43"

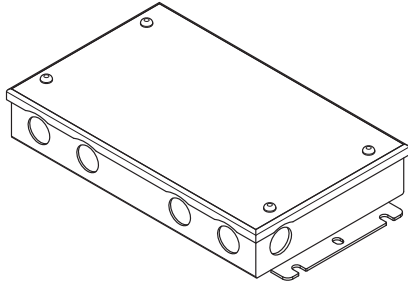


PSDE SERIES | 0-10V DIMMING W/ JUNCTION BOX

PSDE-100W-24V-010-JB	CLASS 2	12.32" x 1.77" x 1.67"
-----------------------------	---------	------------------------

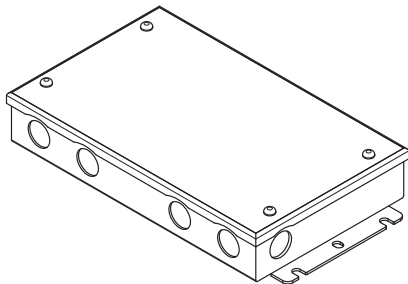


COMPATIBLE TRANSFORMERS



PSDL SERIES | TRIAC DIMMABLE

PSDL-30W-24V	CLASS 2	6.5"x 3.63"x 1.03"
PSDL-60W-24V	CLASS 2	7.4"x 3.63"x 1.03"
PSDL-96W-24V	CLASS 2	8.67"x 3.67"x 1.62"
PSDL-150W-24V	CLASS 2	8.67"x 3.67"x 1.62"
PSDL-192W-24V	CLASS 2	10.25"x 4.06"x 1.82"
PSDL-200W-24V	CLASS 2	10.25"x 4.06"x 1.82"
PSDL-288W-24V	CLASS 2	10.25"x 4.06"x 1.82"
PSDL-300W-24V	CLASS 2	10.25"x 4.06"x 1.82"



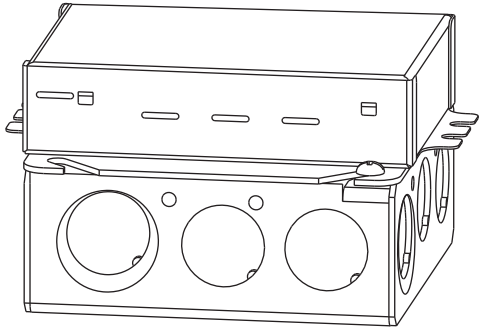
PSHK SERIES | NON-DIMMING W/ JUNCTION BOX

PSHK-30W-24V-UNV	CLASS 2	6.5" X 3.6" X 1.02"
PSHK-60W-24V-UNV	CLASS 2	7.4" X 3.62" X 1.02"
PSHK-96W-24V-UNV	CLASS 2	8.66" X 3.66" X 1.61"
PSHK-150W-24V-UNV		10.24" X 4.06" X 1.81"
PSHK-200W-24V-UNV		10.24" X 4.06" X 1.81"
PSHK-300W-24V-UNV		10.94" X 4.25" X 1.81"

LSMW50HF

5W High-Output Outdoor Flexible LED Strip

COMPATIBLE TRANSFORMERS



LUTRON 1% | 2 OR 3-WIRE DIMMING

LTEA4U1UKL-CV240

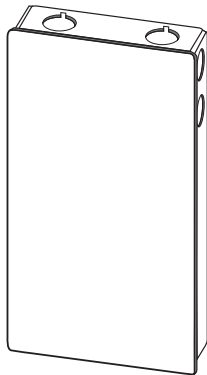
CLASS 2

4.0" x 1.5" x 4.0"

L3DA4U1UKL-CV240

CLASS 2

4.0" x 1.5" x 4.0"



LUTRON 1%

PSDE-96W-24V-ECO

CLASS 2

10.5" x 3.0" x 2.0"