

ALP115R

Recessed Mount LED Profile

JOB NAME: _____
LOCATION: _____
QUOTE/REF#: _____



The ALP-115R is a recessed, architectural-grade LED extrusion profile designed for linear LED strips up to 12mm wide. Made from high quality aluminum, these extrusions provide superior thermal management for higher wattage LED strips and prolong the lifespan of your lighting system. This recessed mount profile is manufactured with a patented frosted diffuser for maximum lumen output and wide beam distribution. These aluminum profiles are an elegant design solution for any space.

SPECIFICATIONS

TYPE	Recessed mount
AVAILABLE LENGTHS	49.25 in and 98.5in
FINISH	Silver / Black / White
LENS OPTIONS	Frosted
LENS	ALP-115R-LN
END CAP	ALP-115R-EC

FEATURES

- Customizable
- Durable, anodized aluminum
- Protects LED systems from dust and other elements
- Slim, low profile design
- Dissipates heat from LED, prolonging its lifetime

DIMENSIONS

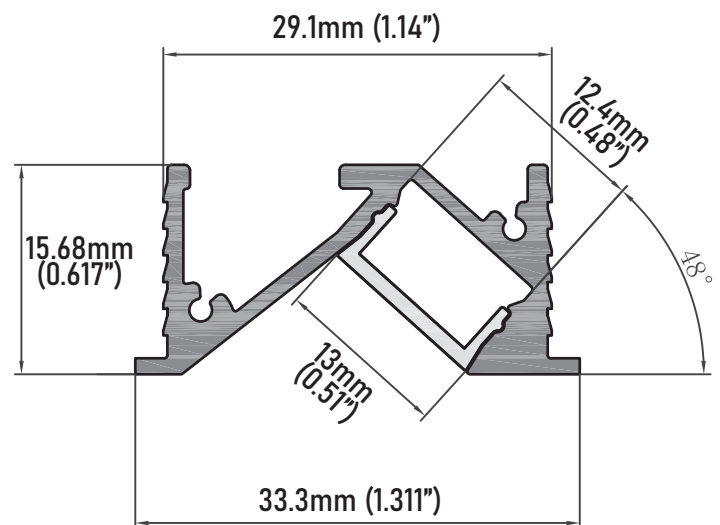
Compatible with LED strips up to 12mm (0.48") wide.

LED tape light sold separately.

Frosted Lens diffuser included with every profile

End caps sold separately.

Custom color finishes available (powder-coating).



STANDARD ORDERING CODE

Model	Length	Lens	Finish
ALP115R	49 49.25"	FR Frosted	WH White
	98 98.5"		BK Black
			SI Silver
			CU Custom (powder-coat)

NOTE: Custom color finishes require powder coating. Allow 7 days lead time.