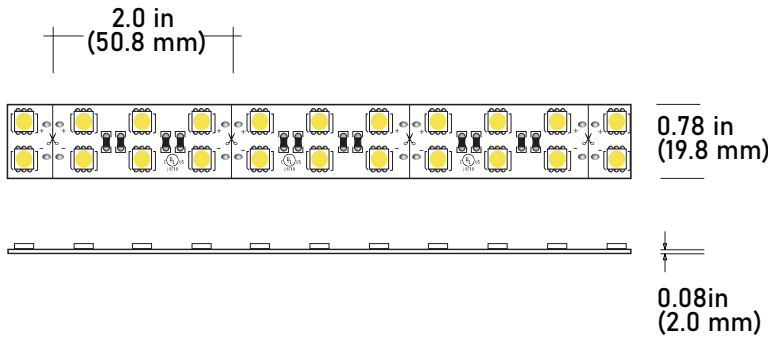


LSP80

8.8W Indoor Flexible LED Strip

JOB NAME: _____
LOCATION: _____
QUOTE/REF#: _____



LSP80 High Output LED strip is designed to produce more than 720 lumens at 8.8 Watts per foot. These field cuttable LED strips are offered in a low profile design that can be attached almost anywhere and are great for many common lighting applications, such as cove lighting or cabinets.

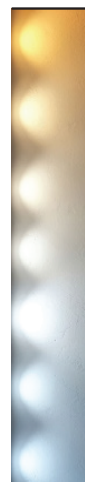
SPECIFICATIONS

INPUT VOLTAGE	24V DC
POWER CONSUMPTION	8.8W per foot
LUMEN OUTPUT	720 Lumens per foot
NO. OF LEDs	36 LEDs per foot
BEAM ANGLE	120°
CRI	90+
DIMMING	MLV, ELV, 0-10V and TRIAC
MAXIMUM RUN LENGTH	24 Feet
FIELD CUTTABLE	Every 2.0 in (50.8MM)
IP RATING	IP45 dry location (indoor)
LUMEN MAINTENANCE	50,000 hrs.
OPERATING TEMPERATURE	-40°F(-40°C)~+140°F(+60°C)
BINNING	1.5 Step Macadam Elipse
CERTIFICATIONS	UL listed
DIMENSIONS	0.78" x 0.08 (width x height)

FEATURES

- 8.8W per Foot
- 720 Lumens
- 90+ CRI
- Two rows of high-output diodes
- 24 Feet Maximum Run Length
- Ideal for accent and ambient lighting
- Multiple CCT options available
- UL Listed, Title 24 JA8 compliant
- Dimmable with CORE dimmable drivers
- Approved for closet / storage space installation per NEC 410.16(A)(3) and 410.16(C)(5)

	COLOR TEMP	CRI	LUMEN/FT
--	------------	-----	----------



2500K	95	678
2700K	95	678
3000K	95	685
3500K	95	698
4000K	95	705
5000K	95	712
6000K	97	720



LSP80

8.8W Indoor Flexible LED Strip

STANDARD ORDERING CODE

Model	Color Temp	Length	Voltage	Profile
LSP80	25K 2500K	16 16.4 Ft.	24 24 Volts	² See p3 for options
	27K 2700K	100 100 Ft.		
	30K 3000K	¹ XX per Ft.		
	35K 3500K			
	40K 4000K			
	50K 5000K			
	60K 6000K			

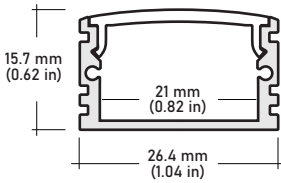
NOTE:

- 1** = Custom length per Ft. cuttable every 2.0'
- 2** = Custom color finishes require powder coating. Allow 7 days lead time.

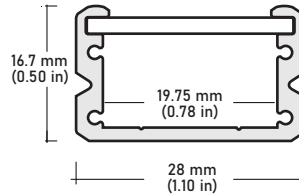
LSP80

8.8W Indoor Flexible LED Strip

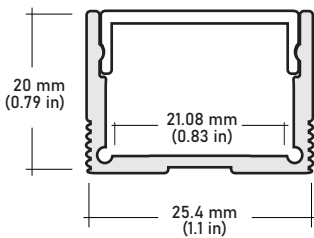
COMPATIBLE ALUMINUM PROFILES



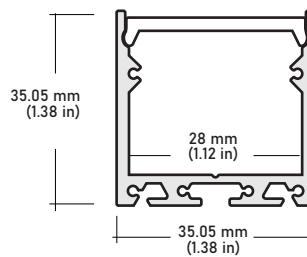
ALU-DS100 Surface Wide
LENGTHS 39^{3/8"} | 78^{7/8"} | 96"
LENS Clear, Frosted
FINISH Silver



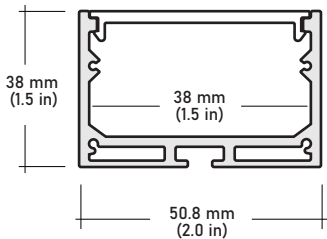
ALP-90 Surface
LENGTHS 48" | 96"
LENS Frosted
FINISH Silver



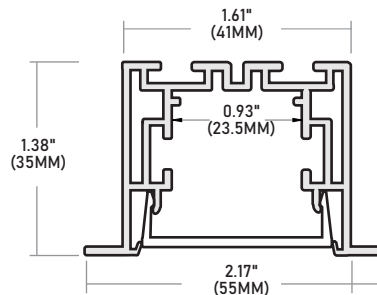
ALP-130 Surface, Suspended
LENGTHS 49.25" | 98.5"
LENS Frosted
FINISH Silver



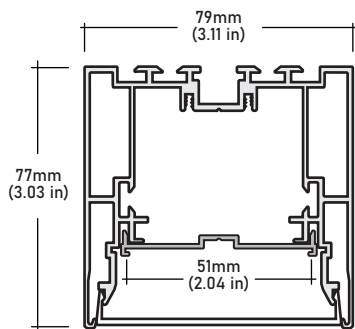
ALP-140 Surface, Suspended
LENGTHS 49.25" | 98.5"
LENS Frosted
FINISH Silver



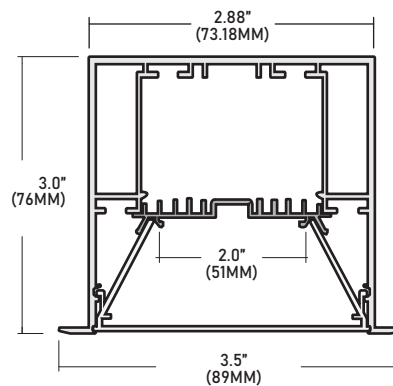
ALP-160 Surface, Suspended
LENGTHS 49.25" | 98.5"
LENS Frosted
FINISH Silver



ALP-210RN Recessed
LENGTHS 49.25" | 98.5"
LENS Frosted
FINISH Silver

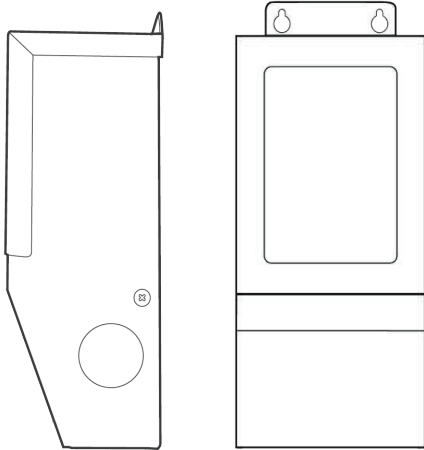


ALP-160 Surface, Suspended
Recessed
LENGTHS 49.25" | 98.5"
LENS Frosted
FINISH Silver



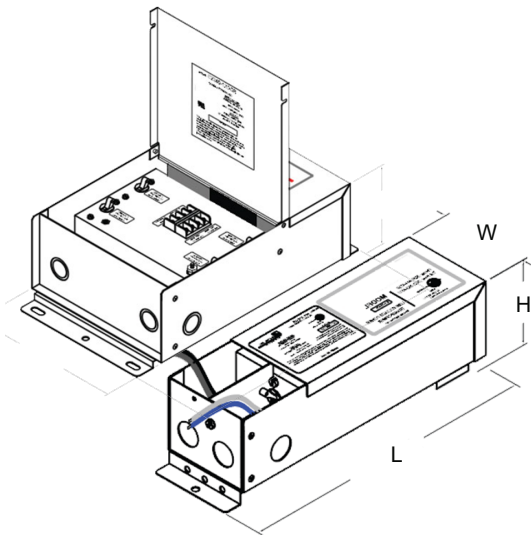
ALP-340R Recessed
LENGTHS 49.25" | 98.5"
LENS Frosted
FINISH Silver

COMPATIBLE TRANSFORMERS



PSDM 24V SERIES | DIMMABLE MAGNETIC LOW VOLTAGE (MLV)

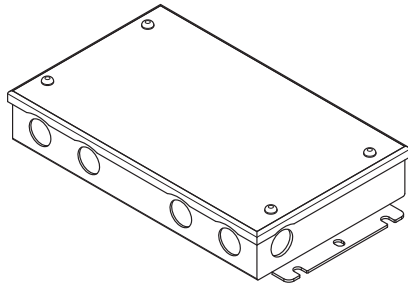
PSDM-20W-24V	CLASS 2	5.6" x 2" x 2.14"
PSDM-40W-24V	CLASS 2	5.6" x 2" x 2.14"
PSDM-60W-24V	CLASS 2	6.5" x 2.3" x 2.5"
PSDM-100W-24V	CLASS 2	6.5" x 2.3" x 2.5"
PSDM-150W-24V		9.8" x 3" x 3"
PSDM-192W-24V	CLASS 2	7.0" x 7.0" x 3.2"
PSDM-200W-24V		9.8" x 3" x 3"
PSDM-288W-24V	CLASS 2	9.8" x 4.2" x 3.5"
PSDM-300W-24V		7.0" x 7.0" x 3.2"



PSDH SERIES | HIGH PERFORMANCE MAGNETIC LOW VOLTAGE (MLV)

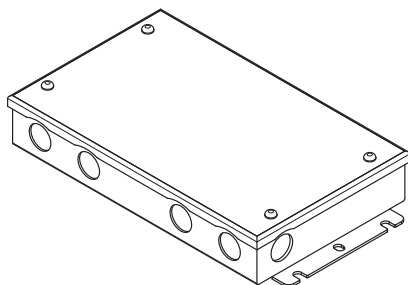
PSDH-48W-24V	CLASS 2	11.25" x 3.37" x 3.25"
PSDH-96W-24V	CLASS 2	11.25" x 3.37" x 3.25"
PSDH-288W-24V	CLASS 2	14.25" x 8.43" x 4.43"

COMPATIBLE TRANSFORMERS



PSDL SERIES | TRIAC DIMMABLE

PSDL-30W-24V	CLASS 2	6.5"x 3.63"x 1.03"
PSDL-60W-24V	CLASS 2	7.4"x 3.63"x 1.03"
PSDL-96W-24V	CLASS 2	8.67"x 3.67"x 1.62"
PSDL-150W-24V		8.67"x 3.67"x 1.62"
PSDL-192W-24V	CLASS 2	10.25"x 4.06"x 1.82"
PSDL-200W-24V		10.25"x 4.06"x 1.82"
PSDL-288W-24V		10.25"x 4.06"x 1.82"
PSDL-300W-24V		10.25"x 4.06"x 1.82"



PSHK SERIES | NON-DIMMING W/ JUNCTION BOX

PSHK-30W-24V-UNV	CLASS 2	6.5" X 3.6" X 1.02"
PSHK-60W-24V-UNV	CLASS 2	7.4" X 3.62" X 1.02"
PSHK-96W-24V-UNV	CLASS 2	8.66" X 3.66" X 1.61"
PSHK-150W-24V-UNV		10.24" X 4.06" X 1.81"
PSHK-200W-24V-UNV		10.24" X 4.06" X 1.81"
PSHK-300W-24V-UNV		10.94" X 4.25" X 1.81"

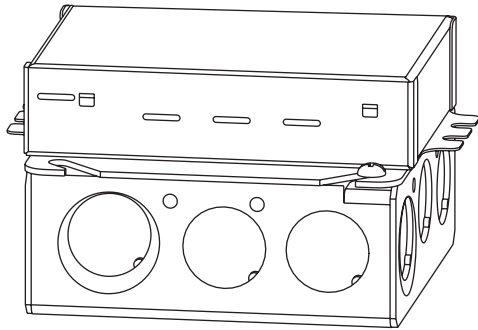
COMPATIBLE TRANSFORMERS



PSDE SERIES | 0-10V DIMMING W/ JUNCTION BOX



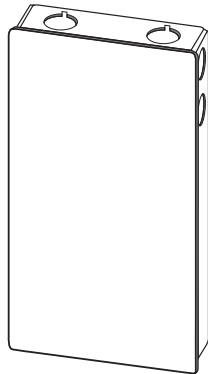
PSDE-100W-24V-010-JB CLASS 2 12.32" x 1.77" x 1.67"



LUTRON 1% | 2 OR 3-WIRE DIMMING

LTEA4U1UKL-CV240 CLASS 2 4.0" x 1.5" x 4.0"

L3DA4U1UKL-CV240 CLASS 2 4.0" x 1.5" x 4.0"



LUTRON 1%

PSDE-96W-24V-ECO CLASS 2 10.5" x 3.0" x 2.0"