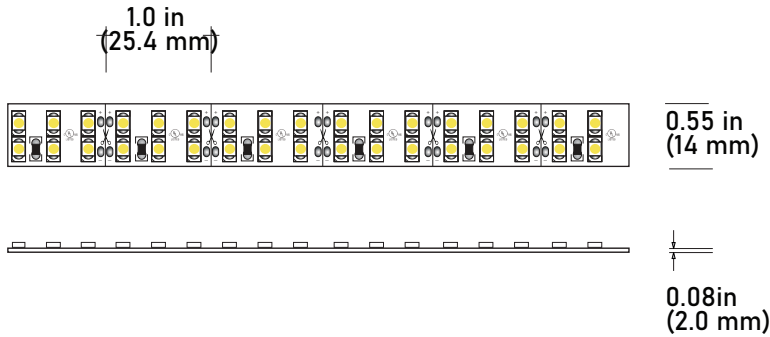


LSM60

6.0W Indoor Flexible LED Strip

JOB NAME: _____
LOCATION: _____
QUOTE/REF#: _____



SPECIFICATIONS

INPUT VOLTAGE	24V DC
POWER CONSUMPTION	6W per foot
LUMEN OUTPUT	500+ Lumens per foot
NO. OF LEDs	72 LEDs per foot
BEAM ANGLE	120°
CRI	90+
DIMMING	MLV, ELV, 0-10V and TRIAC
MAXIMUM RUN LENGTH	16 Feet
FIELD CUTTABLE	Every 1.0 in (25.4MM)
IP RATING	IP45 dry location (indoor)
LUMEN MAINTENANCE	50,000 hrs.
OPERATING TEMPERATURE	-40°F(-40°C)~+140°F(+60°C)
BINNING	1.5 Step Macadam Elipse
CERTIFICATIONS	UL listed
DIMENSIONS	0.55" x 0.08 (width x height)

LSM60 is a high-flux indoor, dimmable flexible LED strip capable of delivering 500 Lumens of light output per ft. It is rated to last 50,000 hrs making it an excellent replacement to halogen lighting. This LED 24V LED strip is ideal for use in retail displays, cove lighting, aesthetic enhancements and architectural projects.

FEATURES

- 6.0W per Foot
- 500+ Lumens
- 90+ CRI
- California TITLE 24, JA8 compliant
- 16 Feet Maximum Run Length
- Ideal for accent and ambient lighting
- UL Listed
- Dimmable with CORE dimmable drivers
- Approved for closet / storage space installation per NEC 410.16(A)(3) and 410.16(C)(5)

	COLOR TEMP	CRI	LUMEN/FT
	2200K	94	410
	2500K	95	450
	2700K	98	465
	3000K	98	480
	3500K	97	485
	4000K	96	500
	5000K	95	515
	6000K	95	530



STANDARD ORDERING CODE

Model	Color Temp	Length	Voltage	Profile
LSM60	22K 2200K	16 16.4 Ft.	24 24 Volts	²See p3 for options
	25K 2500K	100 100 Ft.		
	27K 2700K	¹XX per Ft.		
	30K 3000K			
	35K 3500K			
	40K 4000K			
	50K 5000K			
	60K 6000K			
	BL Blue			

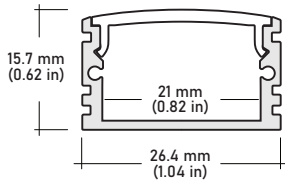
NOTE:

- 1** = Custom length per Ft. cuttable every 1.0'
- 2** = Custom color finishes require powder coating. Allow 7 days lead time.

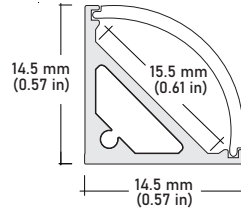
LSM60

6.0W Indoor Flexible LED Strip

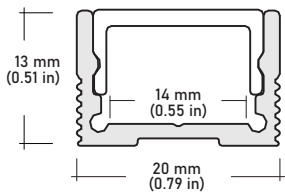
COMPATIBLE ALUMINUM PROFILES



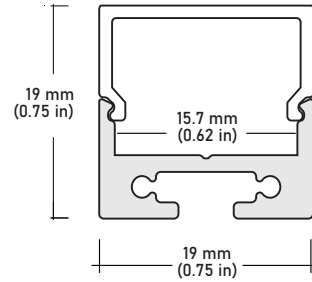
ALU-DS100 Surface Wide
LENGTHS 39^{3/8"} | 78^{7/8"} | 96"
LENS Clear, Frosted
FINISH Silver



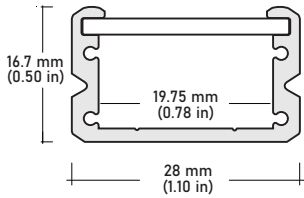
ALP-50C Surface, Corner
LENGTHS 49.25" | 98.5"
LENS Frosted
FINISH White | Black | Silver



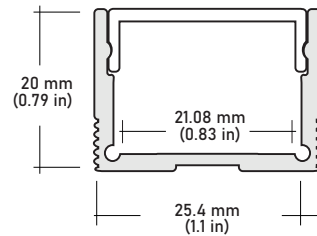
ALP-70 Surface
LENGTHS 49.25" | 98.5"
LENS Frosted
FINISH White | Black | Silver



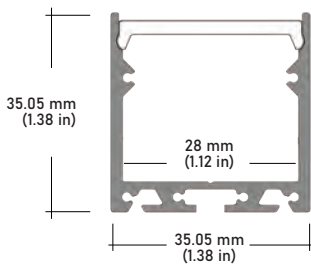
ALP-80 Surface, Suspended
LENGTHS 49.25" | 98.5"
LENS Frosted
FINISH Silver



ALP-90 Surface
LENGTHS 48" | 96"
LENS Frosted
FINISH Silver

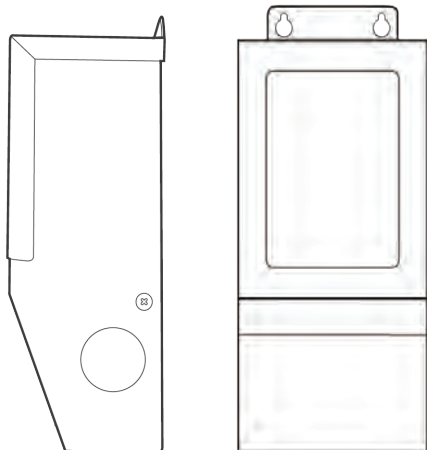


ALP-130 Surface, Suspended
LENGTHS 49.25" | 98.5"
LENS Frosted
FINISH Silver



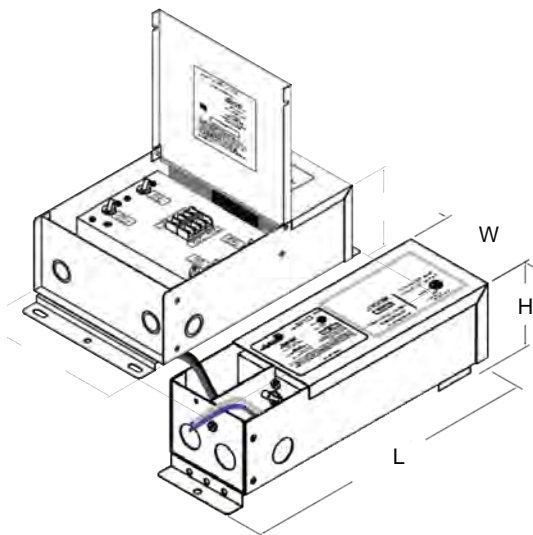
ALP-140 Surface, Suspended
LENGTHS 49.25" | 98.5"
LENS Frosted
FINISH Silver

COMPATIBLE TRANSFORMERS



PSDM 24V SERIES | DIMMABLE MAGNETIC LOW VOLTAGE (MLV)

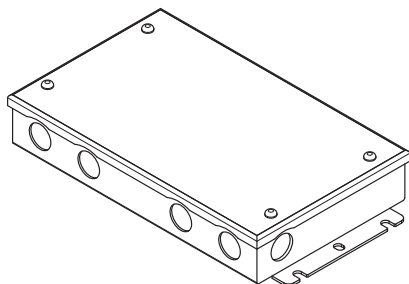
PSDM-20W-24V	CLASS 2	5.6" x 2" x 2.14"
PSDM-40W-24V	CLASS 2	5.6" x 2" x 2.14"
PSDM-60W-24V	CLASS 2	6.5" x 2.3" x 2.5"
PSDM-100W-24V	CLASS 2	6.5" x 2.3" x 2.5"
PSDM-150W-24V		9.8" x 3" x 3"
PSDM-192W-24V	CLASS 2	7.0" x 7.0" x 3.2"
PSDM-200W-24V		9.8" x 3" x 3"
PSDM-288W-24V	CLASS 2	9.8" x 4.2" x 3.5"
PSDM-300W-24V		7.0" x 7.0" x 3.2"



PSDH SERIES | HIGH PERFORMANCE MAGNETIC LOW VOLTAGE (MLV)

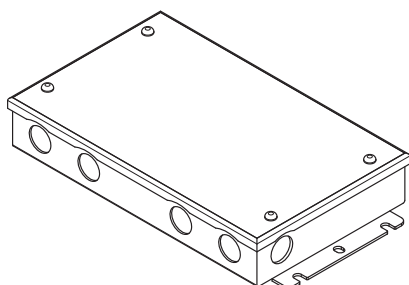
PSDH-48W-24V	CLASS 2	11.25" x 3.37" x 3.25"
PSDH-96W-24V	CLASS 2	11.25" x 3.37" x 3.25"
PSDH-288W-24V	CLASS 2	14.25" x 8.43" x 4.43"

COMPATIBLE TRANSFORMERS



PSDL SERIES | TRIAC DIMMABLE

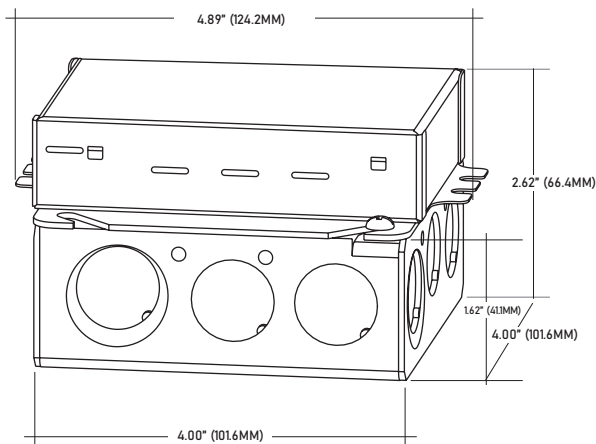
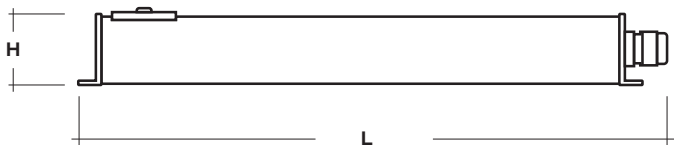
PSDL-30W-24V	CLASS 2	6.5"x 3.63"x 1.03"
PSDL-60W-24V	CLASS 2	7.4"x 3.63"x 1.03"
PSDL-96W-24V	CLASS 2	8.67"x 3.67"x 1.62"
PSDL-150W-24V		8.67"x 3.67"x 1.62"
PSDL-192W-24V		10.25"x 4.06"x 1.82"
PSDL-200W-24V		10.25"x 4.06"x 1.82"
PSDL-288W-24V		10.25"x 4.06"x 1.82"
PSDL-300W-24V		10.25"x 4.06"x 1.82"



PSHK SERIES | NON-DIMMING W/ JUNCTION BOX

PSHK-30W-24V-UNV	CLASS 2	6.5" X 3.6" X 1.02"
PSHK-60W-24V-UNV	CLASS 2	7.4" X 3.62" X 1.02"
PSHK-96W-24V-UNV	CLASS 2	8.66" X 3.66" X 1.61"
PSHK-150W-24V-UNV		10.24" X 4.06" X 1.81"
PSHK-200W-24V-UNV		10.24" X 4.06" X 1.81"
PSHK-300W-24V-UNV		10.94" X 4.25" X 1.81"

COMPATIBLE TRANSFORMERS

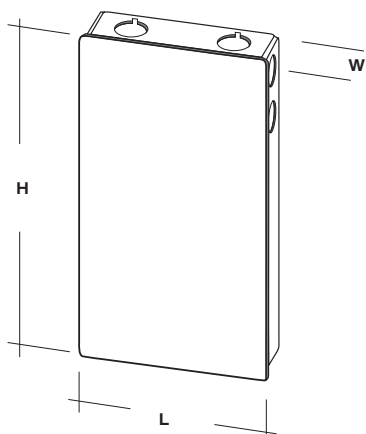


PSDE SERIES | 0-10V DIMMING W/ JUNCTION BOX

PSDE-100W-24V-010-JB CLASS 2 12.32" x 1.77" x 1.67"

LUTRON 1% | 2 OR 3-WIRE DIMMING

LTEA4U1UKL-CV240 CLASS 2 4.0" x 1.5" x 4.0"
L3DA4U1UKL-CV240 CLASS 2 4.0" x 1.5" x 4.0"



LUTRON 1%

PSDE-96W-24V-ECO CLASS 2 10.5" x 3.0" x 2.0"