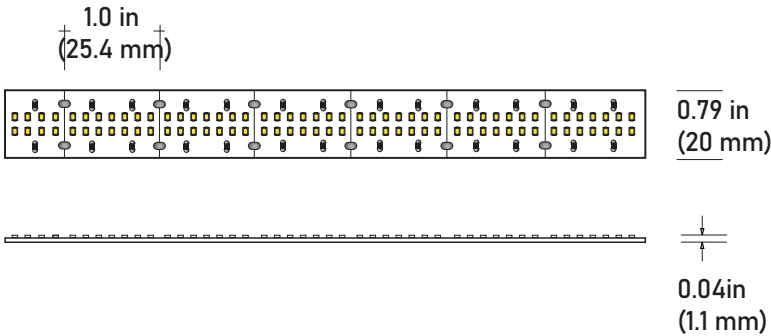


# LSM105

10W High Output Indoor Flexible LED Strip

JOB NAME: \_\_\_\_\_  
LOCATION: \_\_\_\_\_  
QUOTE/REF#: \_\_\_\_\_



**LSM105** is a high-output, double-row LED strip designed to produce up to 840 Lm/Ft. at 10W/Ft. This field cuttable LED strip features a low profile design that allows it to be attached almost anywhere. Installation is quick and easy. It produces a 120° light beam spread and is available in different color temperatures to fit your specific needs.

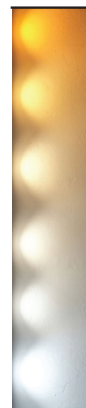
## SPECIFICATIONS

|                              |                                |
|------------------------------|--------------------------------|
| <b>INPUT VOLTAGE</b>         | 24V DC                         |
| <b>POWER CONSUMPTION</b>     | 10W per foot                   |
| <b>LUMEN OUTPUT</b>          | 840 Lm/Ft.                     |
| <b>NO. OF LEDs</b>           | 108 LEDs per foot              |
| <b>BEAM ANGLE</b>            | 120°                           |
| <b>CRI</b>                   | 98+                            |
| <b>DIMMING</b>               | MLV, ELV, 0-10V and TRIAC      |
| <b>MAXIMUM RUN LENGTH</b>    | 10 Feet                        |
| <b>FIELD CUTTABLE</b>        | Every 1.0 in (25.4MM)          |
| <b>IP RATING</b>             | IP45 dry location (indoor)     |
| <b>LUMEN MAINTENANCE</b>     | 50,000 hrs.                    |
| <b>OPERATING TEMPERATURE</b> | -40°F(-40°C)~+140°F(+60°C)     |
| <b>BINNING</b>               | 1.5 Step Macadam Elipse        |
| <b>CERTIFICATIONS</b>        | UL listed                      |
| <b>DIMENSIONS</b>            | 0.79" x 0.04" (width x height) |

## FEATURES

- 10W per Foot
- 840 Lumens per Foot
- 98+ CRI
- Two rows of powerful high output diodes
- 10 Feet Maximum Run Length
- Ideal for accent and ambient lighting
- Multiple CCT options available
- UL Listed
- Dimmable with CORE dimmable drivers
- Approved for closet / storage space installation per NEC 410.16(A)(3) and 410.16(C)(5)

|  | COLOR TEMP | CRI | LUMEN/FT |
|--|------------|-----|----------|
|--|------------|-----|----------|



|       |    |     |
|-------|----|-----|
| 2200K | 82 | 730 |
| 2500K | 98 | 740 |
| 2700K | 98 | 810 |
| 3000K | 97 | 840 |
| 3500K | 91 | 870 |
| 4000K | 95 | 960 |



# LSM105

10W High Output Indoor Flexible LED Strip

## STANDARD ORDERING CODE

| Model  | Color Temp          | Length                | Voltage               | Profile                    |
|--------|---------------------|-----------------------|-----------------------|----------------------------|
| LSM105 | <b>22K</b><br>2200K | <b>16</b><br>16.4 Ft. | <b>24</b><br>24 Volts | <b>²See p3 for options</b> |
|        | <b>25K</b><br>2500K | <b>100</b><br>100 Ft. |                       |                            |
|        | <b>27K</b><br>2700K | <b>¹XX</b><br>per Ft. |                       |                            |
|        | <b>30K</b><br>3000K |                       |                       |                            |
|        | <b>35K</b><br>3500K |                       |                       |                            |
|        | <b>40K</b><br>4000K |                       |                       |                            |

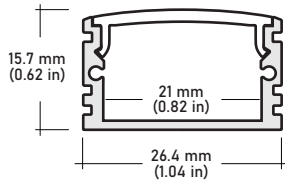
### NOTE:

- 1** = Custom length per Ft. cuttable every 1.0'
- 2** = Custom color finishes require powder coating. Allow 7 days lead time.

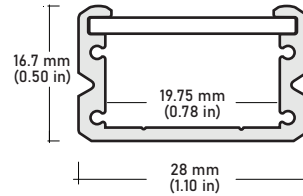
# LSM105

10W High Output Indoor Flexible LED Strip

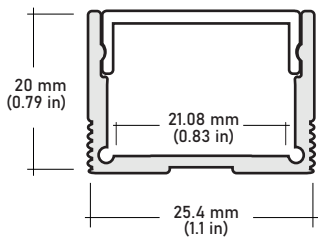
## COMPATIBLE ALUMINUM PROFILES



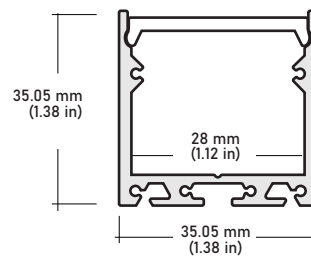
**ALU-DS100** Surface Wide  
**LENGTHS** 39<sup>3/8"</sup> | 78<sup>7/8"</sup> | 96"  
**LENS** Clear, Frosted  
**FINISH** Silver



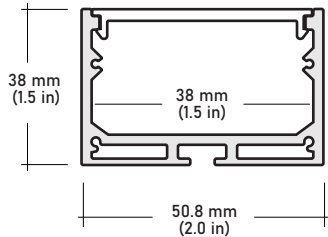
**ALP-90** Surface  
**LENGTHS** 48" | 96"  
**LENS** Frosted  
**FINISH** Silver



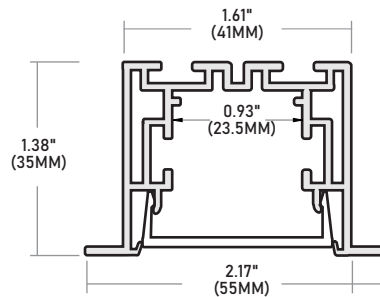
**ALP-130** Surface, Suspended  
**LENGTHS** 49.25" | 98.5"  
**LENS** Frosted  
**FINISH** Silver



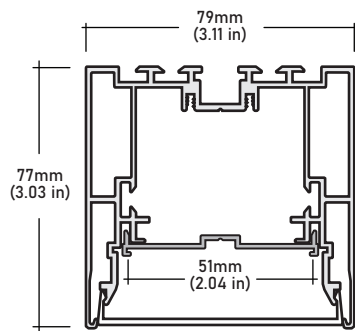
**ALP-140** Surface, Suspended  
**LENGTHS** 49.25" | 98.5"  
**LENS** Frosted  
**FINISH** Silver



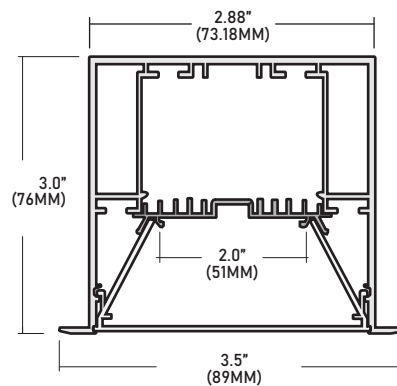
**ALP-160** Surface, Suspended  
**LENGTHS** 49.25" | 98.5"  
**LENS** Frosted  
**FINISH** Silver



**ALP-210RN** Recessed  
**LENGTHS** 49.25" | 98.5"  
**LENS** Frosted  
**FINISH** Silver



**ALP-160** Surface, Suspended  
Recessed  
**LENGTHS** 49.25" | 98.5"  
**LENS** Frosted  
**FINISH** Silver

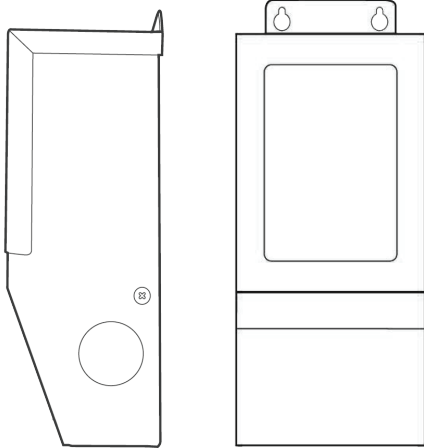


**ALP-340R** Recessed  
**LENGTHS** 49.25" | 98.5"  
**LENS** Frosted  
**FINISH** Silver

# LSM105

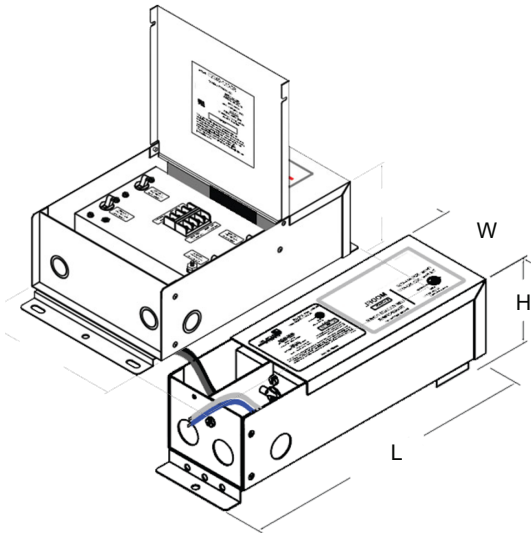
10W High Output Indoor Flexible LED Strip

## COMPATIBLE TRANSFORMERS



### PSDM 24V SERIES | DIMMABLE MAGNETIC LOW VOLTAGE (MLV)

|                      |         |                    |
|----------------------|---------|--------------------|
| <b>PSDM-20W-24V</b>  | CLASS 2 | 5.6" x 2" x 2.14"  |
| <b>PSDM-40W-24V</b>  | CLASS 2 | 5.6" x 2" x 2.14"  |
| <b>PSDM-60W-24V</b>  | CLASS 2 | 6.5" x 2.3" x 2.5" |
| <b>PSDM-100W-24V</b> | CLASS 2 | 6.5" x 2.3" x 2.5" |
| <b>PSDM-150W-24V</b> |         | 9.8" x 3" x 3"     |
| <b>PSDM-192W-24V</b> | CLASS 2 | 7.0" x 7.0" x 3.2" |
| <b>PSDM-200W-24V</b> |         | 9.8" x 3" x 3"     |
| <b>PSDM-288W-24V</b> | CLASS 2 | 9.8" x 4.2" x 3.5" |
| <b>PSDM-300W-24V</b> |         | 7.0" x 7.0" x 3.2" |



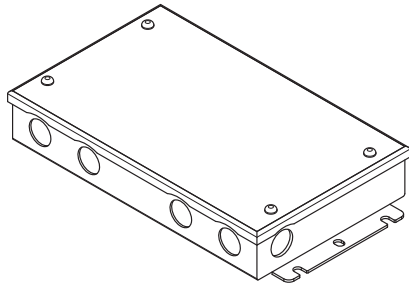
### PSDH SERIES | HIGH PERFORMANCE MAGNETIC LOW VOLTAGE (MLV)

|                      |         |                        |
|----------------------|---------|------------------------|
| <b>PSDH-48W-24V</b>  | CLASS 2 | 11.25" x 3.37" x 3.25" |
| <b>PSDH-96W-24V</b>  | CLASS 2 | 11.25" x 3.37" x 3.25" |
| <b>PSDH-288W-24V</b> | CLASS 2 | 14.25" x 8.43" x 4.43" |

# LSM105

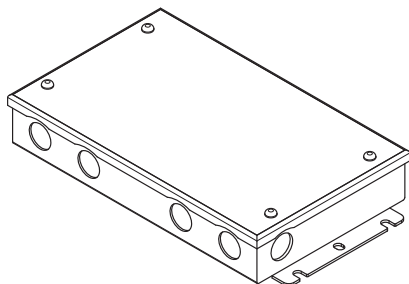
10W High Output Indoor Flexible LED Strip

## COMPATIBLE TRANSFORMERS



### PSDL SERIES | TRIAC DIMMABLE

|                      |         |                      |
|----------------------|---------|----------------------|
| <b>PSDL-30W-24V</b>  | CLASS 2 | 6.5"x 3.63"x 1.03"   |
| <b>PSDL-60W-24V</b>  | CLASS 2 | 7.4"x 3.63"x 1.03"   |
| <b>PSDL-96W-24V</b>  | CLASS 2 | 8.67"x 3.67"x 1.62"  |
| <b>PSDL-150W-24V</b> |         | 8.67"x 3.67"x 1.62"  |
| <b>PSDL-192W-24V</b> | CLASS 2 | 10.25"x 4.06"x 1.82" |
| <b>PSDL-200W-24V</b> |         | 10.25"x 4.06"x 1.82" |
| <b>PSDL-288W-24V</b> |         | 10.25"x 4.06"x 1.82" |
| <b>PSDL-300W-24V</b> |         | 10.25"x 4.06"x 1.82" |



### PSHK SERIES | NON-DIMMING W/ JUNCTION BOX

|                          |         |                        |
|--------------------------|---------|------------------------|
| <b>PSHK-30W-24V-UNV</b>  | CLASS 2 | 6.5" X 3.6" X 1.02"    |
| <b>PSHK-60W-24V-UNV</b>  | CLASS 2 | 7.4" X 3.62" X 1.02"   |
| <b>PSHK-96W-24V-UNV</b>  | CLASS 2 | 8.66" X 3.66" X 1.61"  |
| <b>PSHK-150W-24V-UNV</b> |         | 10.24" X 4.06" X 1.81" |
| <b>PSHK-200W-24V-UNV</b> |         | 10.24" X 4.06" X 1.81" |
| <b>PSHK-300W-24V-UNV</b> |         | 10.94" X 4.25" X 1.81" |

# LSM105

10W High Output Indoor Flexible LED Strip

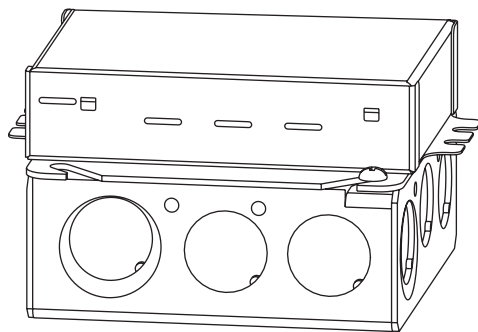
## COMPATIBLE TRANSFORMERS



**PSDE SERIES** | 0-10V DIMMING W/ JUNCTION BOX



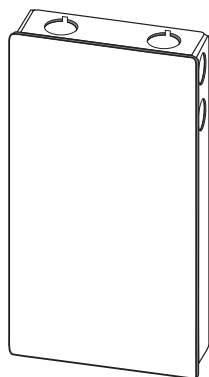
**PSDE-100W-24V-010-JB** CLASS 2 12.32" x 1.77" x 1.67"



**LUTRON 1%** | 2 OR 3-WIRE DIMMING

**LTEA4U1UKL-CV240** CLASS 2 4.0" x 1.5" x 4.0"

**L3DA4U1UKL-CV240** CLASS 2 4.0" x 1.5" x 4.0"



**LUTRON 1%**

**PSDE-96W-24V-ECO** CLASS 2 10.5" x 3.0" x 2.0"