

LNT-65HL

4.6W IP67/IP68 Flexible LED Neon Series



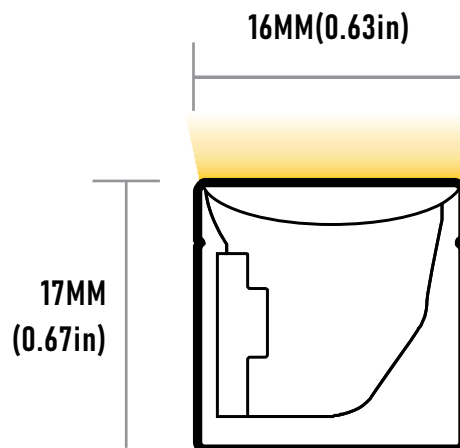
The LNT65HL Series is a HIGH-LUMEN flexible LED strip designed as a neon replacement and is also useful in a wide variety of indoor and outdoor applications where a smooth surface or continuous line of light is desired. It is a flexible strip light that can bend around contours horizontally or vertically without being damaged.

FEATURES

- High color consistency and smooth illumination
- Multiple CCT options available
- Continuous run length up to 32 Ft. (10M)
- Bottom, Side and End Feed options
- UL-676 Pool Submersible (IP68 model)

SPECIFICATIONS

INPUT VOLTAGE	24V DC Constant Voltage
POWER CONSUMPTION	4.6W per Ft.
LUMEN OUTPUT	323 Lumens per Ft.
BEAM ANGLE	160°
CRI	88+
DIMMING	MLV, ELV, 0-10 and TRIAC
MAXIMUM RUN LENGTH	32 Ft.
IP RATING	IP67 / IP68
LUMEN MAINTENANCE	50,000 Hours
LED CHIP	NICHIA
OPERATING TEMPERATURE	-4°F ~113°F (-20°C ~ 45°C)
STORAGE TEMPERATURE	-40°F ~176°F (-40°C ~ 80°C)
HUMIDITY	0-95% Non Condensing
CERTIFICATIONS	UL Listed / UL-676 (IP68)
DIMENSIONS	Width x Depth: 0.63" x 0.67"



LNT-65HL

4.6W IP67/IP68 Flexible LED Neon Series



STANDARD ORDERING GUIDE



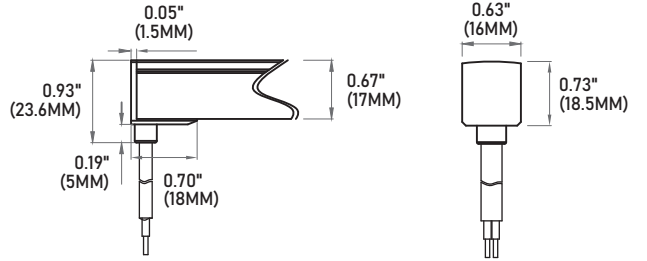
Model	Light Surface	Color Temp	Voltage	Length (CODE)	Power Feed	Power Feed Length
LNT-65HL	HB Horizontal Bend	24K 2400K	24V 24V DC	Please refer to pages 6-7 for exact lengths with corresponding ordering codes.	IP67BF Bottom Feed	HW3 3 Ft. Power Feed
		27K 2700K			IP67SFL Side Feed Left	HW10 10 Ft. Power Feed
	VB Vertical Bend	30K 3000K			IP67SFR Side Feed Right	HW15 15 Ft. Power Feed
		35K 3500K			IP67EF End Feed	HW30 30 Ft. Power Feed
	40K 4000K	IP68BF Bottom Feed			HW50 50 Ft. Power Feed	
	50K 5000K					
	RD Red	IP68SFL Side Feed Left				
	GN Green	IP68SFR Side Feed Right				
	BL Blue	IP68EF End Feed				
	AM Amber					
	PK Pink					
	YW Yellow					

LNT-65HL

4.6W IP67/IP68 Flexible LED Neon Series

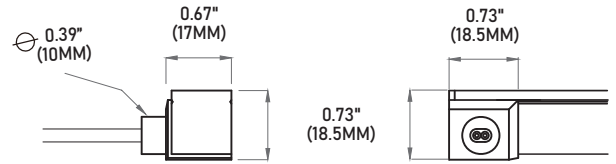
IP67 POWER FEED

BF
Bottom Feed



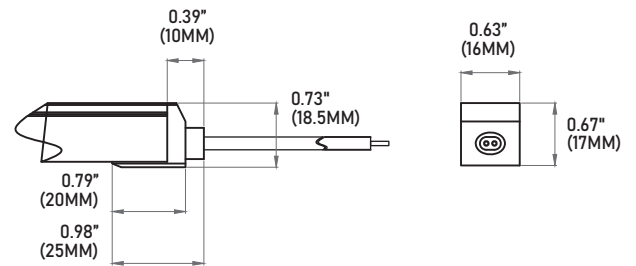
SFL
Side Feed Left

LEFT

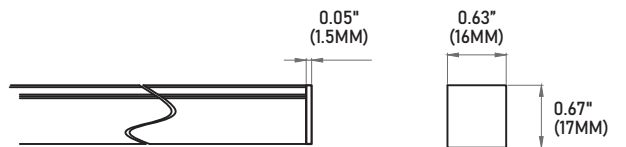


SFR
Side Feed Right

RIGHT



EF
End Feed



EC
End Cap

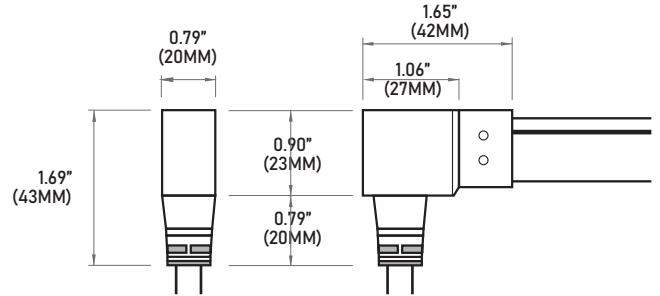


LNT-65HL

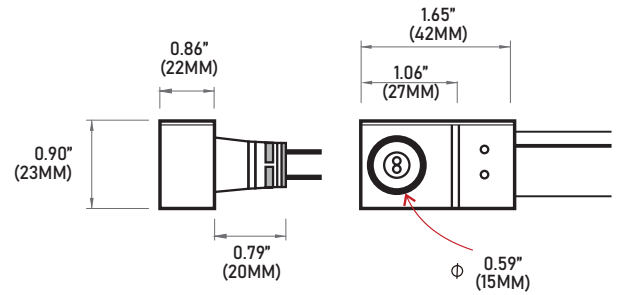
4.6W IP67/IP68 Flexible LED Neon Series

IP68 POWER FEED

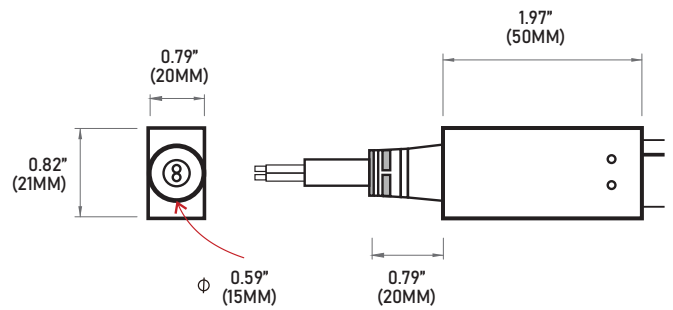
BF
Bottom Feed



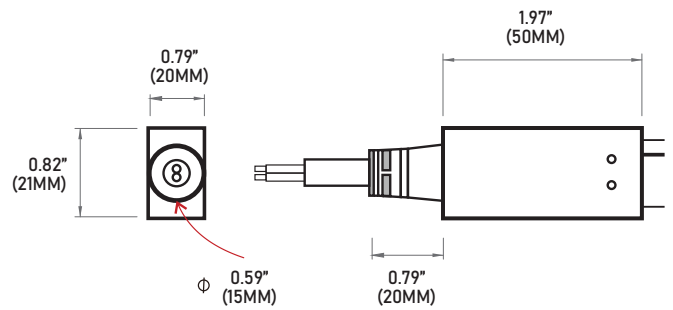
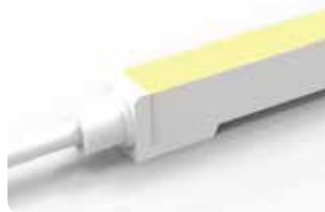
SFL
Side Feed Left



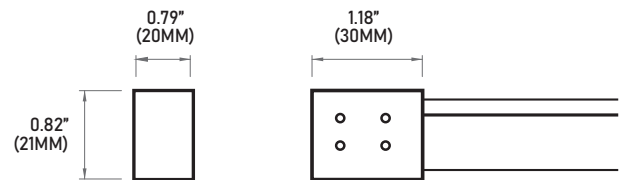
SFR
Side Feed Right



EF
End Feed



EC
End Cap



LNT-65HL

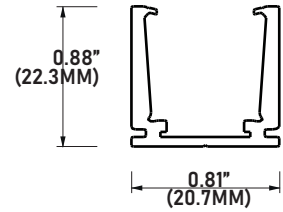
4.6W IP67/IP68 Flexible LED Neon Series

ACCESSORIES

SELF LOCKING ALUMINUM PROFILE

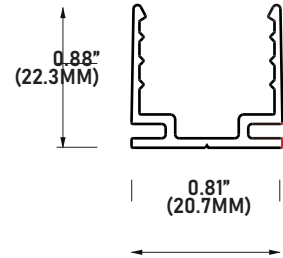
LNT65-AC2
2" Profile

LNT65-AC39
39" Profile



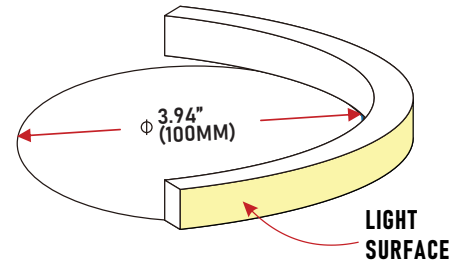
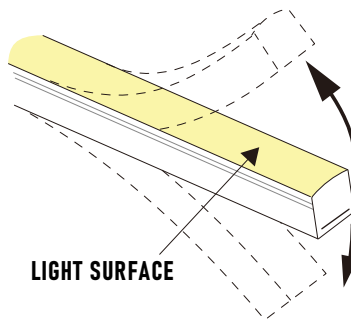
PLASTIC PROFILE

LNT65-PC39
39" Profile

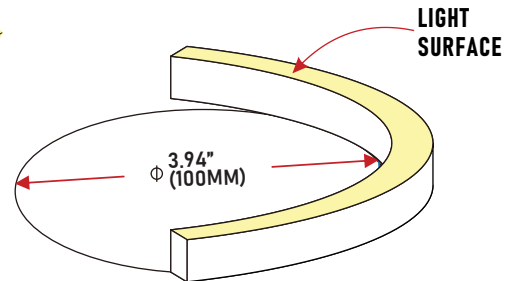
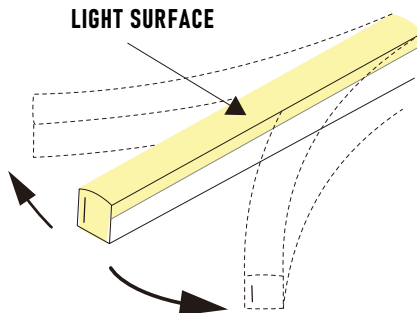


BEND RADIUS

LNT65-VB
(VERTICAL BEND)



LNT65-HB
(HORIZONTAL BEND)



LNT-65HL

4.6W IP67/IP68 Flexible LED Neon Series



LNT65 Series is cuttable **every 2.19" (5.56 CM)**. Please refer to chart below to determine actual lengths once LED is cut versus actual lengths required or specified.

Total Length Calculation = order code length + end feed option length
 example: 66.92" total length = code 30 + IP67 side feed (65.67" + 1.25")

Optional lead wire lengths available: **3Ft., 10Ft., 16Ft., 32Ft., 50Ft.**

POWER FEED OPTION	IP67	IP68
END FEED	1.25"	2.76"
BOTTOM FEED	1.25"	2.76"
SIDE FEED	1.25"	2.76"

CUTTING LENGTH INCREMENT TABLE

CODE	LENGTH IN CM	LENGTH IN INCHES	CODE	LENGTH IN CM	LENGTH IN INCHES
3	16.68	6.57	34	189.04	74.43
4	22.24	8.76	35	194.6	76.61
5	27.8	10.94	36	200.16	78.80
6	33.36	13.13	37	205.72	81.00
7	38.92	15.32	38	211.28	83.18
8	44.48	17.51	39	216.84	85.37
9	50.04	19.70	40	222.4	87.56
10	55.6	21.89	41	227.96	89.75
11	61.16	24.08	42	233.52	91.94
12	66.72	26.27	43	239.08	94.13
13	72.28	28.46	44	244.64	96.31
14	77.84	30.65	45	250.2	98.50
15	83.4	32.83	46	255.76	100.70
16	88.96	35.02	47	261.32	102.89
17	94.52	37.21	48	266.88	105.07
18	100.08	39.40	49	272.44	107.26
19	105.64	41.59	50	278	109.45
20	111.2	43.78	51	283.56	111.64
21	116.76	45.97	52	289.12	113.83
22	122.32	48.16	53	294.68	116.02
23	127.88	50.35	54	300.24	118.21
24	133.44	52.54	55	305.8	120.40
25	139	54.72	56	311.36	122.59
26	144.56	56.91	57	316.92	124.78
27	150.12	59.10	58	322.48	126.96
28	155.68	61.29	59	328.04	129.15
29	161.24	63.48	60	333.6	131.34
30	166.8	65.67	61	339.16	133.53
31	172.36	67.86	62	344.72	135.72
32	177.92	70.05	63	350.28	137.91
33	183.48	72.24	64	355.84	140.09
			65	361.4	142.28
			66	366.96	144.47

LNT-65HL

4.6W IP67/IP68 Flexible LED Neon Series



CUTTING LENGTH INCREMENT TABLE

CODE	LENGTH IN CM	LENGTH IN INCHES	CODE	LENGTH IN CM	LENGTH IN INCHES
67	372.52	146.66	107	594.92	234.22
68	378.08	148.85	108	600.48	236.41
69	383.64	151.04	109	606.04	238.59
70	388.95	153.23	110	611.12	240.78
71	394.76	155.42	111	617.16	242.98
72	400.32	157.61	112	622.72	245.17
73	405.88	159.80	113	628.28	247.35
74	411.44	161.98	114	633.84	249.54
75	416.68	164.17	115	638.91	251.73
76	422.56	166.36	116	644.96	253.92
77	428.12	168.55	117	650.52	256.12
78	433.68	170.74	118	656.08	258.31
79	439.24	172.93	119	661.64	260.50
80	444.47	175.13	120	666.72	262.68
81	450.36	177.31	121	672.76	264.88
82	455.92	179.49	122	678.32	267.07
83	461.48	181.69	123	683.88	269.25
84	467.04	183.87	124	689.44	271.44
85	472.60	186.06	125	694.51	273.63
86	478.16	188.25	126	700.56	275.82
87	483.72	190.44	127	706.12	278.01
88	489.28	192.63	128	711.68	280.20
89	494.84	194.82	129	717.24	282.39
90	500.40	197.02	130	722.24	284.58
91	505.96	199.20	131	728.36	286.76
92	511.52	201.39	132	733.92	288.96
93	517.08	203.58	133	739.48	291.15
94	522.64	205.77	134	745.04	293.33
95	528.2	207.96	135	750.03	295.52
96	533.76	210.14	136	756.16	297.70
97	539.32	212.34	137	761.72	299.90
98	544.88	214.53	138	767.28	302.09
99	550.44	216.72	139	772.84	304.28
100	556	218.91	140	777.84	306.47
101	561.56	221.10	141	783.96	308.66
102	567.12	223.28	142	789.52	310.85
103	572.68	225.47	143	795.08	313.04
104	578.24	227.66	144	800.64	315.23
105	583.8	229.85	145	806.20	317.41
106	589.36	232.04	146	811.76	319.60

LNT-65HL

4.6W IP67/IP68 Flexible LED Neon Series



CUTTING LENGTH INCREMENT TABLE

CODE	LENGTH IN CM	LENGTH IN INCHES
147	817.32	321.78
148	822.88	323.97
149	828.44	326.17
150	833.34	328.35
151	839.56	330.54
152	845.12	332.72
153	850.68	334.91
154	856.24	337.10
155	861.16	339.30
156	867.36	341.49
157	872.92	343.67
158	878.48	345.87
159	884.04	348.06
160	888.94	350.25
161	895.16	352.44
162	900.72	354.63
163	906.28	356.82
164	911.84	359.01
165	916.68	361.20
166	922.96	363.37
167	928.52	365.57
168	934.08	367.75
169	939.64	369.94
170	945.20	372.13
171	950.76	374.32
172	956.32	376.50
173	961.88	378.69
174	967.44	380.88
175	972.28	383.09
176	978.56	385.28
177	984.12	387.45
178	989.68	389.64
179	995.24	391.83
180	1000.8	394.02

LNT-65HL

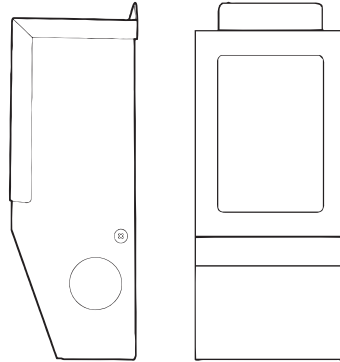
4.6W IP67/IP68 Flexible LED Neon Series

COMPATIBLE DRIVERS

PSDM SERIES

DIMMABLE MAGNETIC LOW VOLTAGE (MLV)

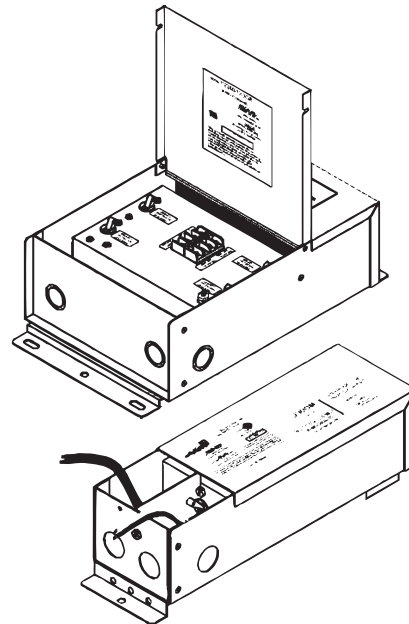
PSDM-20W-24V	CLASS 2	5.6" x 2" x 2.14"
PSDM-40W-24V	CLASS 2	5.6" x 2" x 2.14"
PSDM-60W-24V	CLASS 2	6.5" x 2.3" x 2.5"
PSDM-100W-24V	CLASS 2	6.5" x 2.3" x 2.5"
PSDM-150W-24V		9.8" x 3" x 3"
PSDM-192W-24V	CLASS 2	7.0" x 7.0" x 3.2"
PSDM-200W-24V		9.8" x 3" x 3"
PSDM-288W-24V	CLASS 2	9.8" x 4.2" x 3.5"
PSDM-300W-24V		7.0" x 7.0" x 3.2"



PSDH SERIES

HIGH PERFORMANCE MAGNETIC LOW VOLTAGE (MLV)

PSDH-48W-24V	CLASS 2	11.25" x 3.37" x 3.25"
PSDH-96W-24V	CLASS 2	11.25" x 3.37" x 3.25"
PSDH-288W-24V	CLASS 2	14.25" x 8.43" x 4.43"



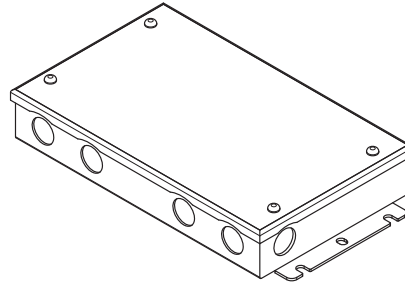
LNT-65HL

4.6W IP67/IP68 Flexible LED Neon Series

COMPATIBLE DRIVERS

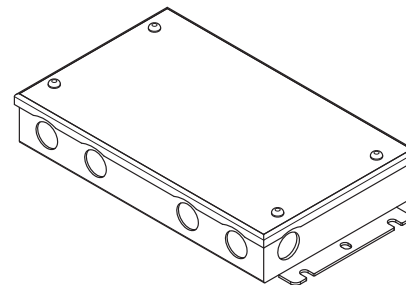
PSDL SERIES
TRIAC DIMMABLE

PSDL-30W-24V	CLASS 2	6.5" x 3.63" x 1.03"
PSDL-60W-24V	CLASS 2	7.4" x 3.63" x 1.03"
PSDL-96W-24V	CLASS 2	8.67" x 3.67" x 1.62"
PSDL-150W-24V		8.67" x 3.67" x 1.62"
PSDL-192W-24V	CLASS 2	10.25" x 4.06" x 1.82"
PSDL-200W-24V		10.25" x 4.06" x 1.82"
PSDL-288W-24V	CLASS 2	10.25" x 4.06" x 1.82"
PSDL-300W-24V		10.25" x 4.06" x 1.82"



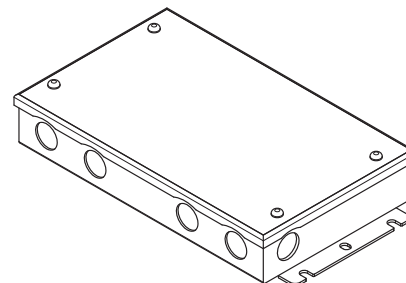
PSHK SERIES
NON-DIMMING W/ JUNCTION BOX

PSHK-30W-24V-UNV	CLASS 2	6.5" X 3.6" X 1.02"
PSHK-60W-24V-UNV	CLASS 2	7.4" X 3.62" X 1.02"
PSHK-96W-24V-UNV	CLASS 2	8.66" X 3.66" X 1.61"
PSHK-150W-24V-UNV		10.24" X 4.06" X 1.81"
PSHK-200W-24V-UNV		10.24" X 4.06" X 1.81"
PSHK-300W-24V-UNV		10.94" X 4.25" X 1.81"



PSVT SERIES
0-10V DIMMING DRIVER

PSVT-60W-24V	CLASS 2	7.4" X 3.72" X 1.57"
PSVT-96W-24V	CLASS 2	8.66" X 3.72" X 1.57"
PSVT-200W-24V		10.24" X 4.13" X 1.77"
PSVT-288W-24V	CLASS 2	11.85" X 4.25" X 1.81"
PSVT-300W-24V	CLASS 2	10.94" X 4.33" X 1.77"



LNT-65HL

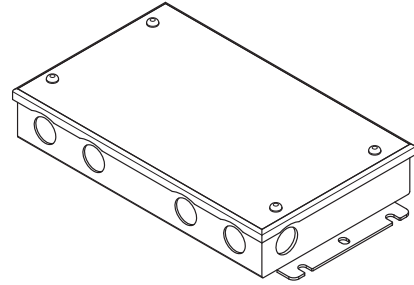
4.6W IP67/IP68 Flexible LED Neon Series

COMPATIBLE DRIVERS

PSRX SERIES

4-in-1 DIMMING DRIVER W/ JUNCTION BOX

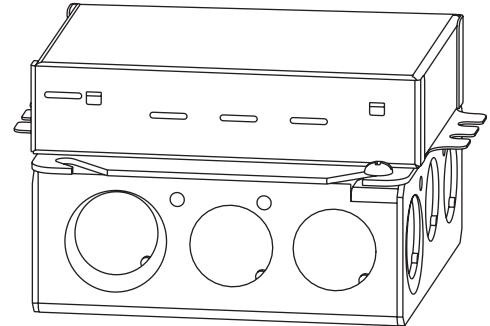
PSRX-30W-24V-UNV	CLASS 2	6.5" X 3.7" X 1.57"
PSRX-60W-24V-UNV	CLASS 2	7.4" X 3.72" X 1.57"
PSRX-96W-24V-UNV	CLASS 2	10.24" X 4.13" X 1.77"
PSRX-150W-24V-UNV		10.24" X 4.13" X 1.77"
PSRX-200W-24V-UNV		10.24" X 4.13" X 1.77"
PSRX-300W-24V-UNV		10.94" X 4.33" X 1.77"



LUTRON 1%

2 OR 3-WIRE DIMMING

LTEA4U1UKL-CV240	CLASS 2	4.0" x 1.5" x 4.0"
L3DA4U1UKL-CV240	CLASS 2	4.0" x 1.5" x 4.0"



LUTRON 1%

PSDE-96W-24V-ECO	CLASS 2	10.5" x 3.0" x 2.0"
-------------------------	---------	---------------------

