

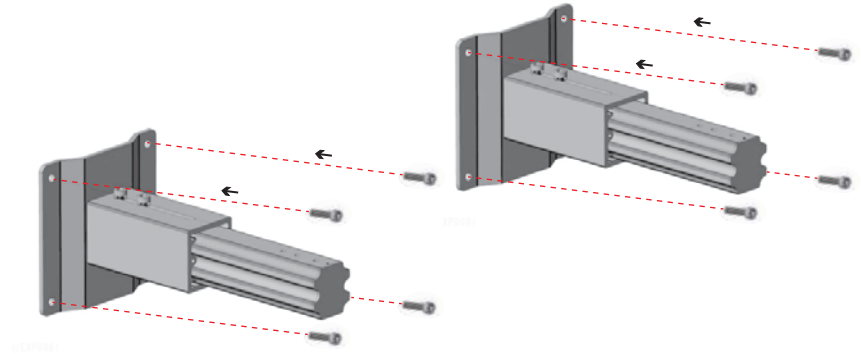
INSTALLATION GUIDE

For wet rated and outdoor LED strips (Surface Installation)

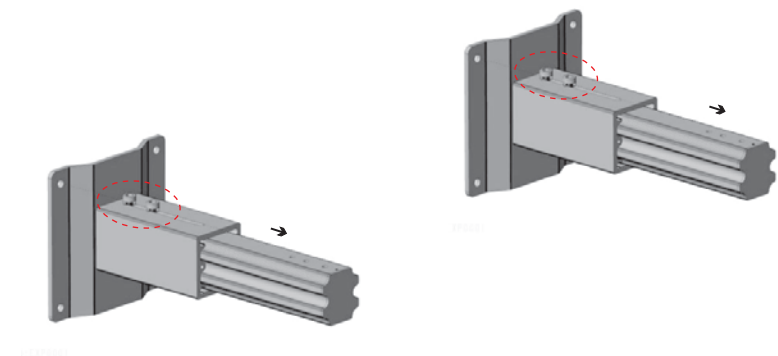


1. This product is intended to be installed by an experienced electrician.
2. Make sure to **TURN OFF MAIN POWER** prior to installation of any electrical device.
3. This product is designed for **OUTDOOR** use

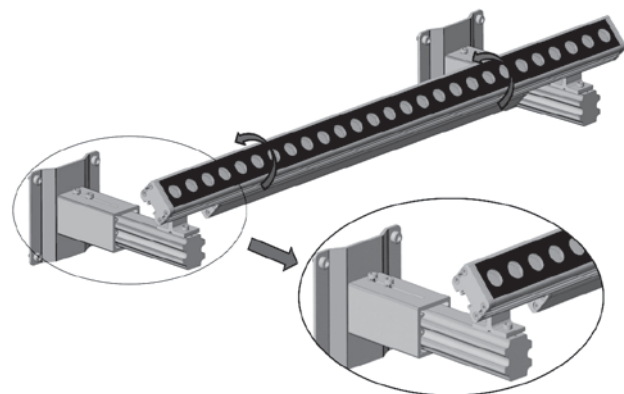
- 1 Mount one extension arm onto wall. Make sure to check that the proper distance is allocated then mount the other extension arm. Fasten them securely, making sure the extension arms are not wiggling or loose.



- 2 Adjust extension arm length by loosening the hex screws and extending the inner channel to the desired length. Tighten back the hex screws to set the length.



- 3 Tilt the fixture to one side and fasten the M4 screws through the screw holes on one side of the adjustable brackets. Tilt the fixture in the opposite direction and fasten the M4 screws on the other side.



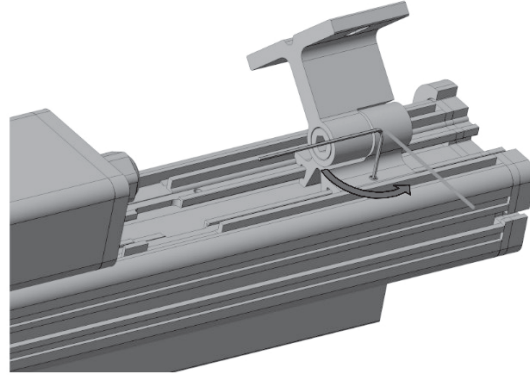
INSTALLATION GUIDE

For wet rated and outdoor LED strips (Surface Installation)



1. This product is intended to be installed by an experienced electrician.
2. Make sure to **TURN OFF MAIN POWER** prior to installation of any electrical device.
3. This product is designed for **OUTDOOR** use

- 4 In case the mounting extension arm is misaligned, the adjustable bracket can be moved to another position by loosening the set screws.



- 5 Connect the loop in loop out cables and finish the wiring to complete the installation.

