

CSL390

Indirect Suspended Linear LED luminaire

CORE
ARCHITECTURAL
LIGHTING



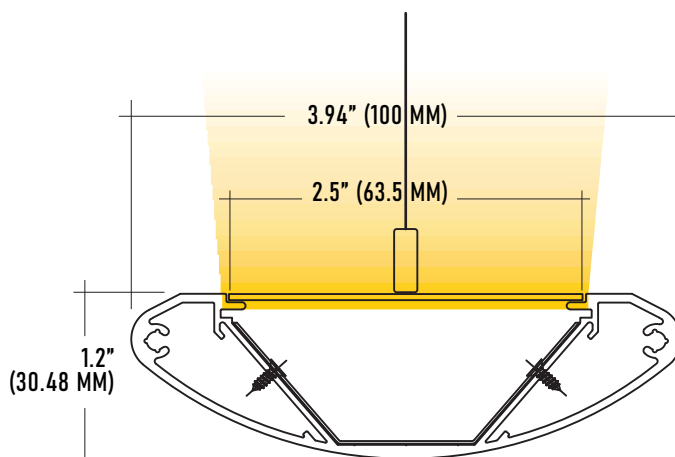
The CSL390 is a suspended linear LED fixture designed with a simple yet elegant structure combined with the indirect lighting concept which provides a uniform light output and an excellent anti-glare effect to your space. Its advanced thermal management technology guarantees continuous high lumen output and constant CCT at up to 1000 lm per linear ft.

FEATURES

- Suspended luminaire
- Available lengths: 4Ft., 6Ft. & 8Ft.
- 2.5" wide aperture
- Up to 1000 Lm per Ft.
- 118 Lm per Watt
- 0-10V dimming, TRIAC, ELV
- Finish options: Black, White & Silver
- 90+ CRI
- Aircraft cable suspension system included
- High quality aluminum alloy
- Multiple CCT options, warm-dim
- Remote driver

SPECIFICATIONS

TYPE	Suspended
AVAILABLE LENGTHS	4Ft. / 6Ft. / 8Ft.
FINISH	White / Black / Silver
POWER CONSUMPTION	6W - 9W
DIMMING	0-10V, TRIAC, ELV
INPUT VOLTAGE	100V-277V
COLOR TEMP	27K / 30K / 35K / 40K / 50K
CRI	90+
LUMENS	Up to 1000 Lumens per Ft.
LENS	Frosted Acrylic Lens
POWER FEED	10Ft.
LIGHTING DISTRIBUTION	Up
DRIVER	Remote (sold separately)
IP RATING	Dry and Damp Location



CSL390

Indirect Suspended Linear LED luminaire

STANDARD ORDERING GUIDE

Model	Fixture Length	Up Light	Color Temperature	Color Finish	Voltage	Mounting	Driver
CSL390	4 4 ft.	L1 500 lm	27K 2700K	WH White	UNV ² 120-277V	C12 12 ft. cable	EB Remote electronic TRIAC
	6 6 ft.	L2 700 lm	30K 3000K	BK Black		CXX Custom (XX-ft. ceiling to top of fixture)	D10 Remote 1% 0-10V
	8 8 ft.	L3 1000 lm	35K 3500K	SI Silver			
	CR ¹ Custom Length		40K 4000K				
			50K 5000K				
			WD1827 Warm-dim 18K/27K				
			WD1830 Warm-dim 18K/30K				
		MXCCT Color-tuning (contact factory)					

NOTES

1. Continuous run in 4 ft increments
2. Remote mounted driver only

LIGHT OUTPUT

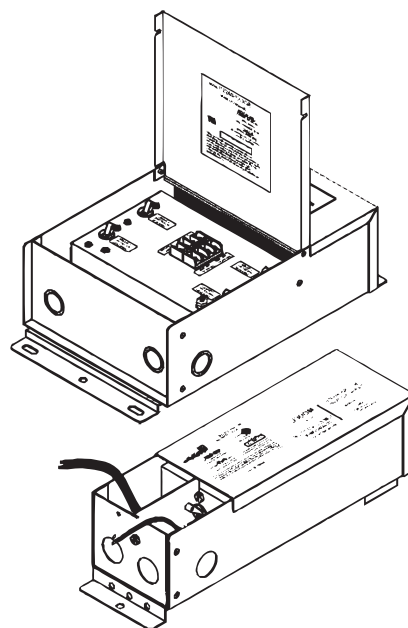
TYPE	LUMENS PER FOOT	WATTS PER FOOT
L1	550	6W
L2	700	7W
L3	1000	8W

COMPATIBLE DRIVERS

PSDH SERIES

HIGH PERFORMANCE MAGNETIC LOW VOLTAGE (MLV)

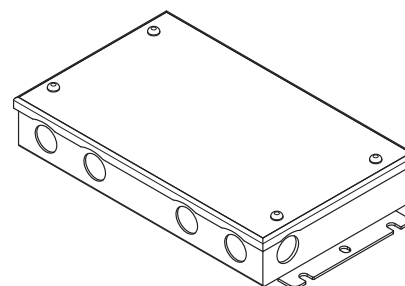
PSDH-48W-24V	CLASS 2	11.25" x 3.37" x 3.25"
PSDH-96W-24V	CLASS 2	11.25" x 3.37" x 3.25"
PSDH-288W-24V	CLASS 2	14.25" x 8.43" x 4.43"



PSVT SERIES

0-10V DIMMING DRIVER

PSVT-60W-24V	CLASS 2	7.4" X 3.72" X 1.57"
PSVT-96W-24V	CLASS 2	8.66" X 3.72" x 1.57"
PSVT-200W-24V		10.24" X 4.13" x 1.77"
PSVT-288W-24V	CLASS 2	11.85" X 4.25" x 1.81"
PSVT-300W-24V	CLASS 2	10.94" X 4.33" x 1.77"



CSL390

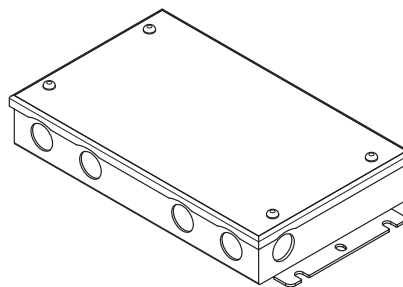
Indirect Suspended Linear LED luminaire

COMPATIBLE DRIVERS

PSDL SERIES

TRIAC DIMMABLE

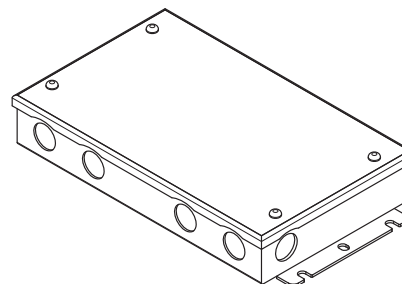
PSDL-30W-24V	CLASS 2	6.5" x 3.63" x 1.03"
PSDL-60W-24V	CLASS 2	7.4" x 3.63" x 1.03"
PSDL-96W-24V	CLASS 2	8.67" x 3.67" x 1.62"
PSDL-150W-24V		8.67" x 3.67" x 1.62"
PSDL-192W-24V	CLASS 2	10.25" x 4.06" x 1.82"
PSDL-200W-24V		10.25" x 4.06" x 1.82"
PSDL-288W-24V	CLASS 2	10.25" x 4.06" x 1.82"
PSDL-300W-24V		10.25" x 4.06" x 1.82"



PSHK SERIES

NON-DIMMING W/ JUNCTION BOX

PSHK-30W-24V-UNV	CLASS 2	6.5" X 3.6" X 1.02"
PSHK-60W-24V-UNV	CLASS 2	7.4" X 3.62" X 1.02"
PSHK-96W-24V-UNV	CLASS 2	8.66" X 3.66" X 1.61"
PSHK-150W-24V-UNV		10.24" X 4.06" X 1.81"
PSHK-200W-24V-UNV		10.24" X 4.06" X 1.81"
PSHK-300W-24V-UNV		10.94" X 4.25" X 1.81"



CSL390

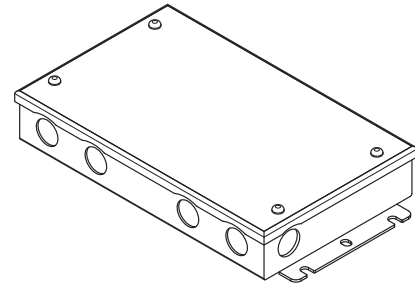
Indirect Suspended Linear LED luminaire

COMPATIBLE DRIVERS

PSRX SERIES

4-in-1 DIMMING DRIVER W/ JUNCTION BOX

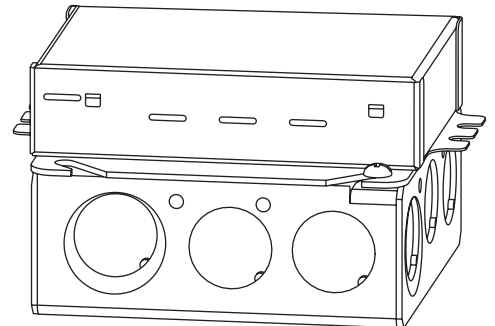
PSRX-30W-24V-UNV	CLASS 2	6.5" X 3.7" X 1.57"
PSRX-60W-24V-UNV	CLASS 2	7.4" X 3.72" X 1.57"
PSRX-96W-24V-UNV	CLASS 2	10.24" X 4.13" X 1.77"
PSRX-150W-24V-UNV		10.24" X 4.13" X 1.77"
PSRX-200W-24V-UNV		10.24" X 4.13" X 1.77"
PSRX-300W-24V-UNV		10.94" X 4.33" X 1.77"



LUTRON 1%

2 OR 3-WIRE DIMMING

LTEA4U1UKL-CV240	CLASS 2	4.0" x 1.5" x 4.0"
L3DA4U1UKL-CV240	CLASS 2	4.0" x 1.5" x 4.0"



LUTRON 1%

PSDE-96W-24V-ECO	CLASS 2	10.5" x 3.0" x 2.0"
-------------------------	---------	---------------------

