

ALP3100TLX

Recessed "Mud-in" Trimless LED Profile



The ALP-3100TLX is an architectural-grade LED profile designed for mud-in applications and compatible with LED strips up to 37.5mm (1.47") wide. Made from high quality aluminum, these extrusions provide superior thermal management for LED strips prolonging the lighting system's lifespan. It is manufactured with a patented frosted diffuser for maximum lumen output and wider beam distribution.

FEATURES

- Customizable
- Trimless, recessed design
- Designed for mud-in applications
- Protects LED systems from dust and other elements
- Dissipates heat from LED, prolonging its lifetime
- Lens sold separately
- End cap sold separately

SPECIFICATIONS

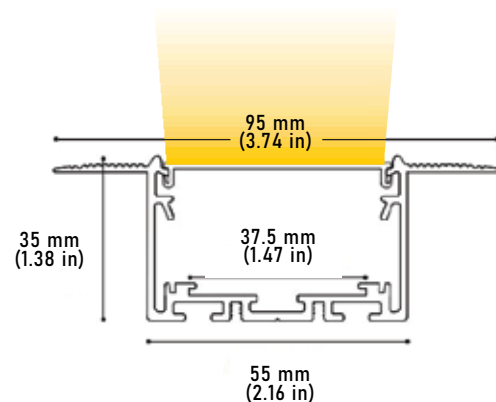
TYPE	Recessed
AVAILABLE LENGTHS	48" & 98.5"
FINISH	Anodized aluminum
LENS OPTIONS	Frosted
APERTURE	1.5"
TRANSFORMER	Remote (sold separately)
CHANNEL	ALP3100TLX
LENS	ALP3000LNX (sold separately)
END CAP	ALP3000-EC (sold separately)
STRAIGHT CONNECTOR	ALP-SC (sold separately)

Compatible with LED strips up to **37.5mm (1.47") wide**.

LED tape light sold separately.

Custom color finishes available (powder-coating).

Remote mounted power supply sold separately



ALP3100TLX

Recessed “Mud-in” Trimless LED Profile

STANDARD ORDERING GUIDE

Model	Profile Length	Finish
ALP3100TLX	48 48 in.	SI Silver
	98 98.5 in.	CU Custom (powder- coating)

LENS ORDERING GUIDE

Model	Profile Length
ALP3000LNX	48 48 in.
	98 98.5 in.
	PF per foot (sold in increments of 12")

ALP3100TLX

Recessed "Mud-in" Trimless LED Profile

COMPONENTS

ALP3000LNX
Frosted Lens



ALP3100TLX
Channel



ALP3000EC
End Cap



ALPSC
Straight Connector

