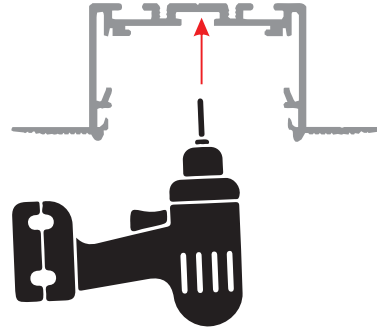


INSTALLATION GUIDE

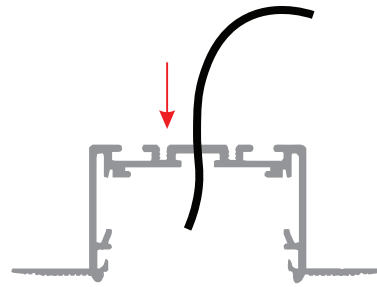
For ALP3100TLX Series

CORE
ARCHITECTURAL
LIGHTING

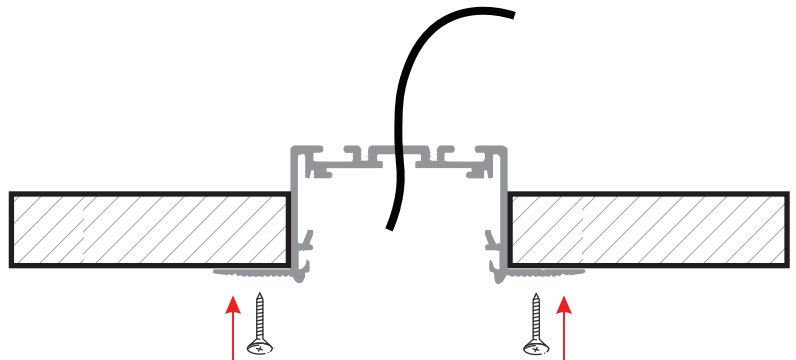
Drill a hole through the ALP3100TLX profile to accommodate the power feed cable.



Feed power cable through the fixture



Attach the fixture to the installation surface by securing it onto place with screws on either side. Make sure to use the appropriate screws for metal applications.



INSTALLATION GUIDE

For ALP3100TLX Series

CORE
ARCHITECTURAL
LIGHTING

Apply a layer of plaster over the flanges and onto the wall to cover the flanges and create an even surface. Do this for both sides attaching to the wall. Once dry, apply paint to finish the surface.

Mount LED strip. Lay strip carefully onto profile making sure the full length has adhered properly and flat onto the profile. Then attach the lens

Done.

