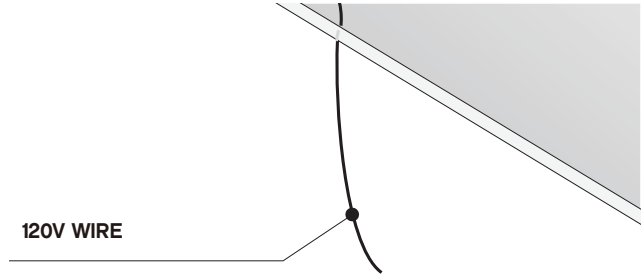


## INSTALLATION GUIDE

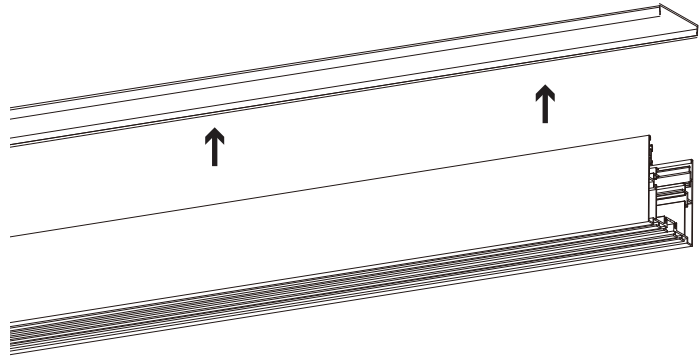


**WARNING: RISK OF ELECTRICAL SHOCK**  
\* turn off main power prior to installation  
\* make sure hands are dry  
\* never touch exposed wires

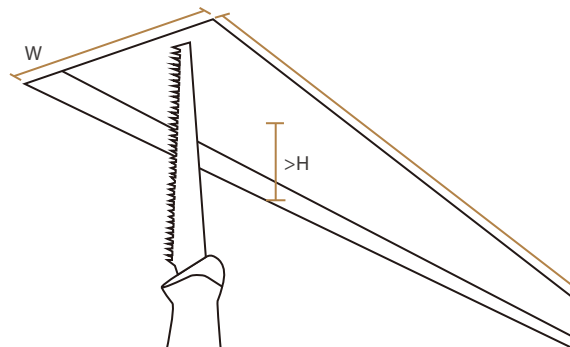
**1** RUN 120V WIRE THROUGH CEILING



**2** REMOVE DIFFUSER



**3** MAKE A SLOT THE SAME SIZE AS THE PROFILE ON THE CEILING TO ACCOMMODATE CHANNEL

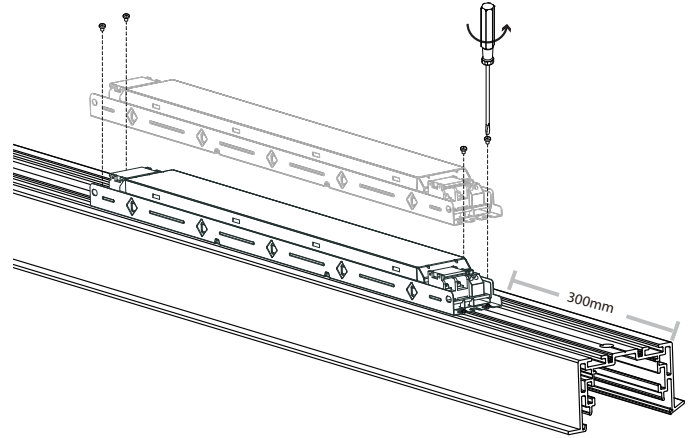


## INSTALLATION GUIDE

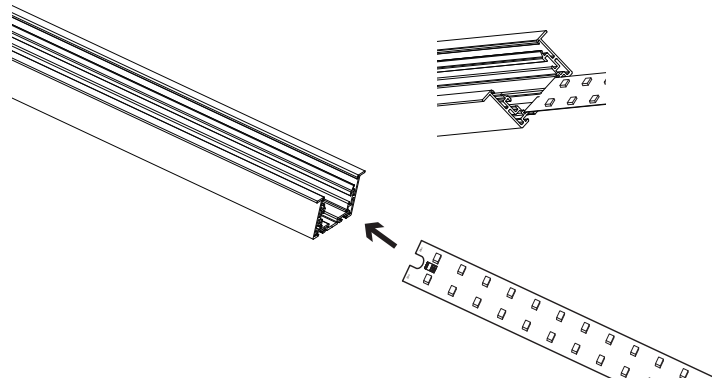


**WARNING: RISK OF ELECTRICAL SHOCK**  
\* turn off main power prior to installation  
\* make sure hands are dry  
\* never touch exposed wires

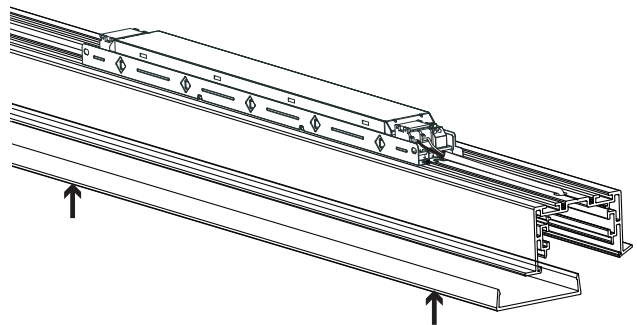
### 4 MOUNT POWER SUPPLY ONTO PROFILE.



### 5 INSTALL LINEAR TAPE LIGHT



### 6 INSTALL DIFFUSER ONTO PROFILE

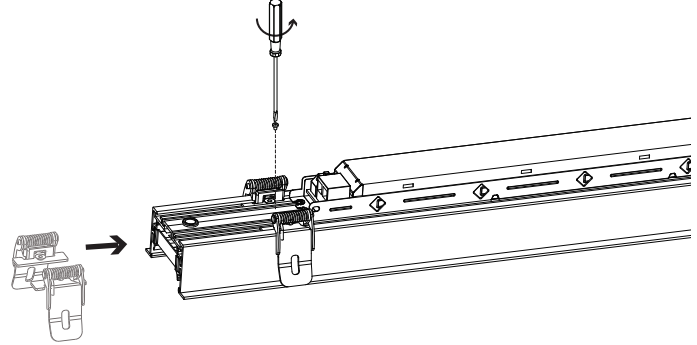


## INSTALLATION GUIDE

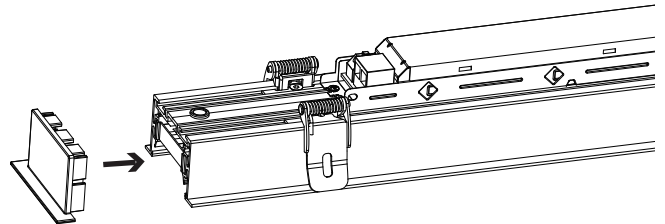


**WARNING: RISK OF ELECTRICAL SHOCK**  
*\* turn off main power prior to installation*  
*\* make sure hands are dry*  
*\* never touch exposed wires*

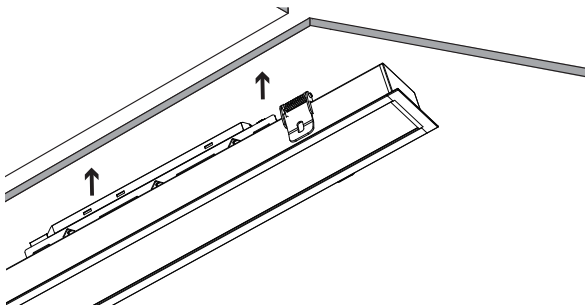
- 7** SLIDE BUTTERFLY CLAMP ONTO PROFILE AND THEN FIX IT INTO PLACE.



- 8** INSTALL END CAP



- 9** CONNECT POWER SUPPLY TO WIRE IN CEILING THEN INSTALL PROFILE INTO SLOT.



- 10** FINISHED

