

ALP-310N

Surface, Suspended or Recessed Mount LED Profile



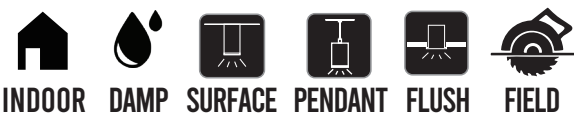
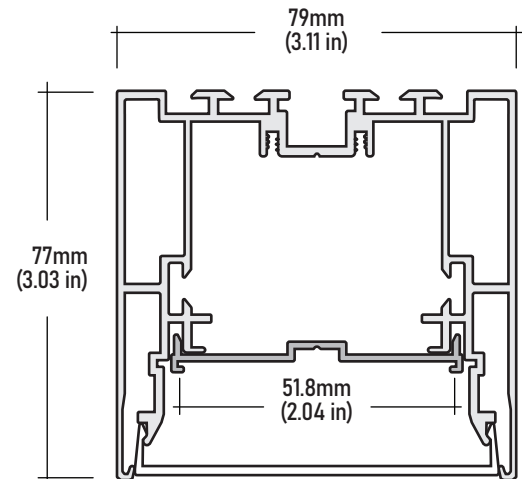
The ALP-310N is an Architectural Grade LED extrusion profile designed to fit linear LED strips up to 51mm wide. It can be surface, suspended or recessed mount. It features optional corner / angle connectors for seamless attachments. Made from high quality aluminum, these extrusions provide superior thermal management for higher wattage LED strips and prolong the overall lifetime of your lighting system. The ALP-310N is manufactured with a patented frosted diffuser for maximum lumen output and wide beam distribution. The ALP-310N also helps protect LED's from dust and other undesirable elements, which can shorten the lifetime of the LED.

SPECIFICATIONS

TYPE	Surface, Suspended & Recessed mount
AVAILABLE LENGTHS	49.25" and 98.5"
FINISH	Anodized Silver
LENS OPTIONS	Frosted
PROFILE	ALP-310N
LENS	ALP-310N-LN
END CAP	ALP-310N-EC
L-CONNECTOR (OUTSIDE)	ALP-310N-L90W
L-CONNECTOR (INSIDE)	ALP-310N-L90N
L-CONNECTOR (SIDE)	ALP-310N-L90
T-CONNECTOR	ALP-310N-T90
X-CONNECTOR	ALP-310N-X90
SEAMLESS CONNECTOR	ALP-SC
N-TYPE CLIP	ALP-310N-RE

FEATURES

- Customizable
- Ideal for surface, suspended and recessed applications
- optional T, L and X connectors for corners and angles
- Durable, military grade aluminum
- Protects LED systems from dust and other elements
- Dissipates heat from LED, prolonging its lifetime



ALP-310N

Surface, Suspended or Recessed Mount LED Profile



STANDARD ORDERING GUIDE

Model	Channel Length	Lens Option	Mounting Option
ALP-310N	49 49.25 inches	FR Frosted	SUR Surface
	98 98.5 inches		SUS Suspended
	CC Custom cut		RES Recessed

NOTES:

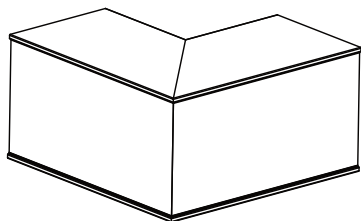
Custom color finishes require powder coating. (Additional fees apply)
Allow 7 days lead time.

ALP-310N

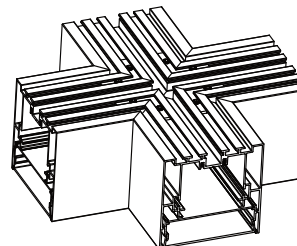
Surface, Suspended or Recessed Mount LED Profile

CORE
ARCHITECTURAL
LIGHTING

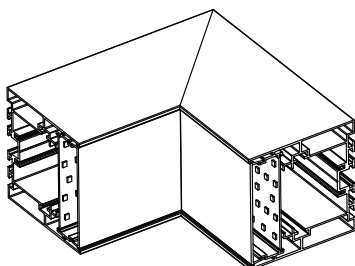
ACCESSORIES



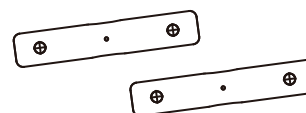
ALP-310N-L90W
L connector (OUTSIDE)



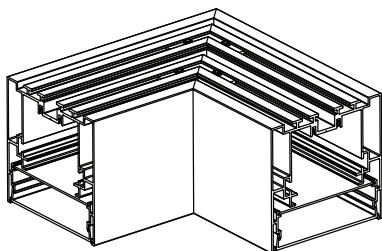
ALP-310N-X90
X connector



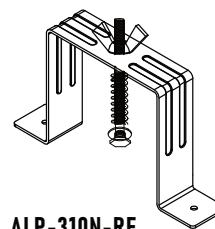
ALP-310N-L90N
L connector (INSIDE)



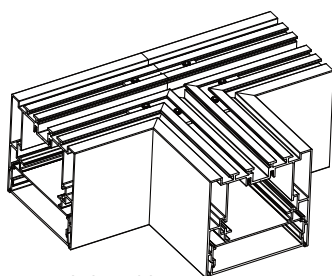
ALP-SC
Seamless connector



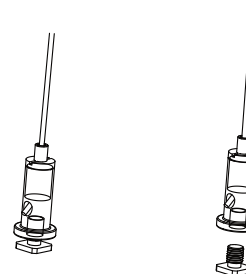
ALP-310N-L90
L connector (SIDE)



ALP-310N-RE
N type clip



ALP-310N-T90
T connector



ALP-CS12
Suspension kit

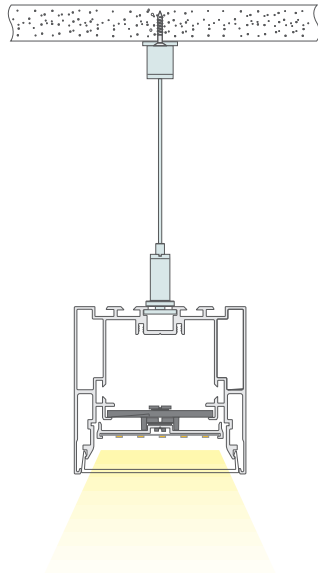
ALP-310N

Surface, Suspended or Recessed Mount LED Profile

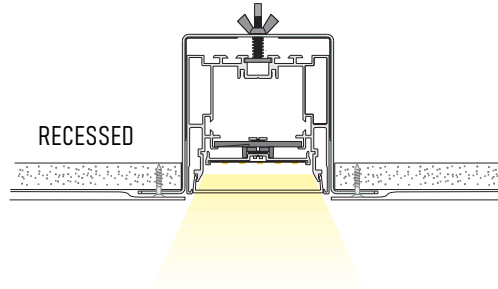
CORE
ARCHITECTURAL
LIGHTING

MOUNTING OPTIONS

SUSPENDED



RECESSED



SURFACE

