

# ALP-24 In-Ground (Recessed) LED Profile

## SPECIFICATION SHEET

JOB NAME: \_\_\_\_\_  
LOCATION: \_\_\_\_\_  
QUOTE/REF#: \_\_\_\_\_



The **ALP-24** is an architectural-grade LED profile designed for IP67 in-ground applications like pavements, sidewalks and driveways. It comes with a polycarbonate frosted diffuser and certified for all types of weather, harsh climate and conditions. The frosted lens diffuser is UV resistant and durable enough for in-ground applications. Installing the ALP-24 requires silicone to achieve an IP67 rating.

### FEATURES

- Customizable
- 5,000 lbs maximum load
- Durable, anodized aluminum
- Protects LED systems from dust and other elements
- Suitable for in-ground installations / applications.
- Dissipates heat from LED, prolonging its lifetime

### DIMENSIONS

### SPECIFICATIONS

<b>TYPE</b>	In-Ground (Recessed) Mount
<b>AVAILABLE LENGTHS</b>	48", 98"
<b>FINISH OPTIONS</b>	Anodized Aluminum
<b>LENS OPTIONS</b>	Frosted
<b>CHANNEL</b>	ALP-24
<b>LENS</b>	ALP-24-LN
<b>END CAP</b>	ALP-24-EC

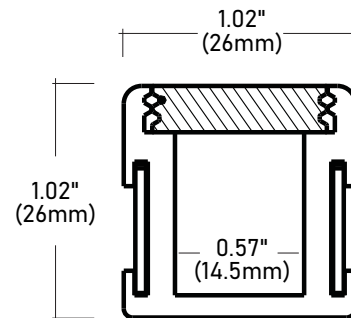
Compatible with LED strips up to **0.57" (14.5mm) wide**.

LED tape light sold separately.

Frosted Lens diffuser included (1 with every channel)

2 (two) end caps included with every channel.

Remote power supply sold separately.



### ORDERING CODE

Model	Length	Lens	Light Engine	Finish
ALP-24	48 - 48" 98 - 98"	FR - Frosted	See P. 3	SI Silver

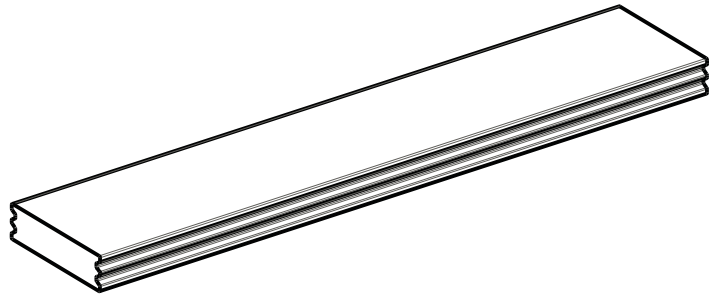


# ALP-24 In-Ground (Recessed) LED Profile

## COMPONENTS | ACCESSORIES

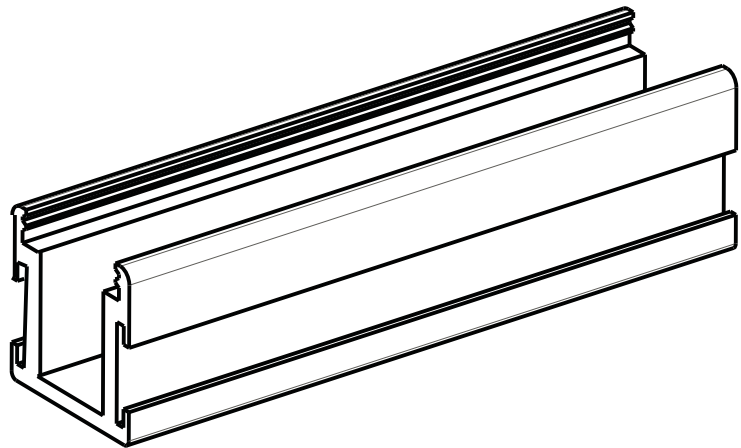
### ALP-24-LN | Plastic Lens (included)

TYPE FR (frosted)  
LENGTHS 48", 98"



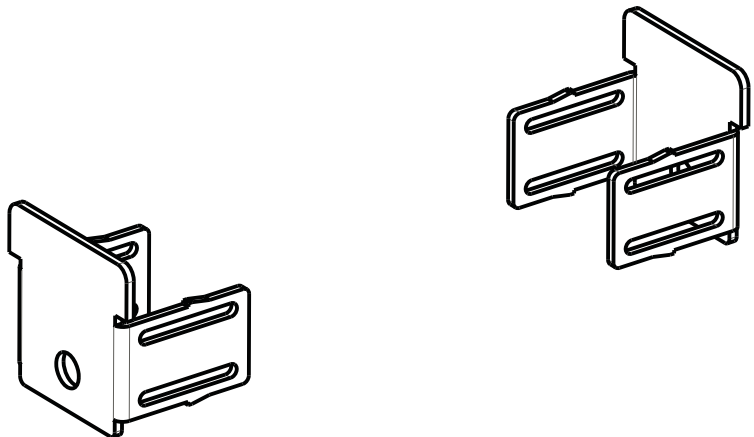
### ALP-24 | Aluminum Channel

MOUNTING Recessed  
LENGTHS 48", 98"



### ALP-24-EC | Metal End Cap

\*Two end caps included per channel



# ALP-24 In-Ground (Recessed) LED Profile

## COMPATIBLE LED STRIPS

### Outdoor

---

**LSMW-15**

1.5W/FT, 120 Lumens

**LSMW-25**

2.2W/FT, 185 Lumens

**LSMW-30**

3.0W/FT, 250 Lumens

**LSMW-35WD**

3.6W/FT, Auto Warm-Dim

**LSMW-40**

4.0W/FT, 440 Lumens