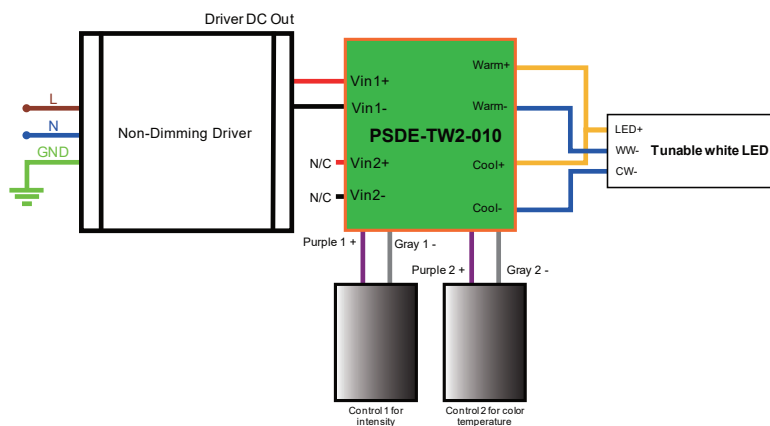


WIRING OPTIONS

Connection Method 2



Connection Method 3

